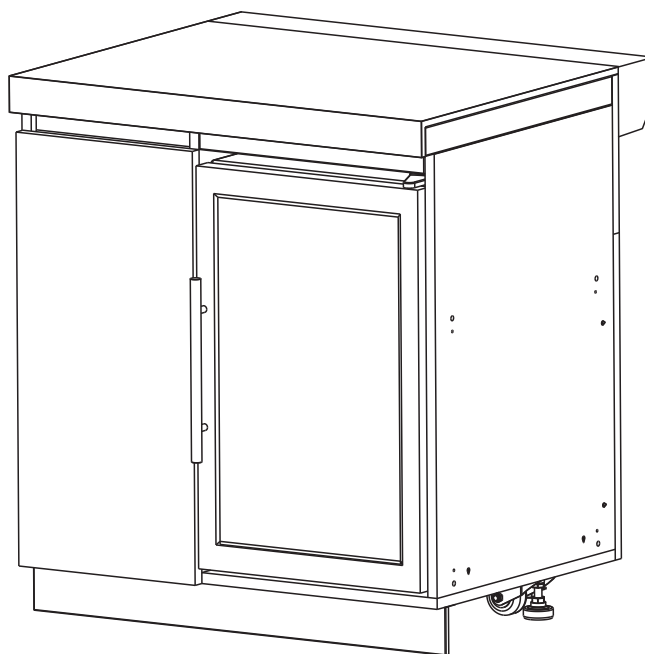




Single Door Fridge Cabinet Assembly Instructions

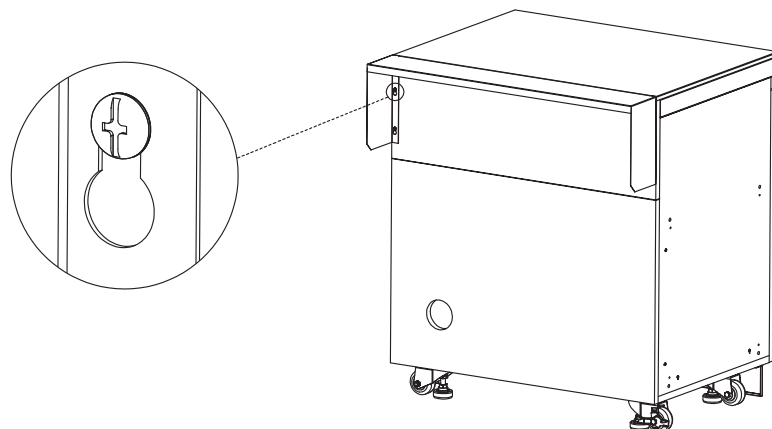
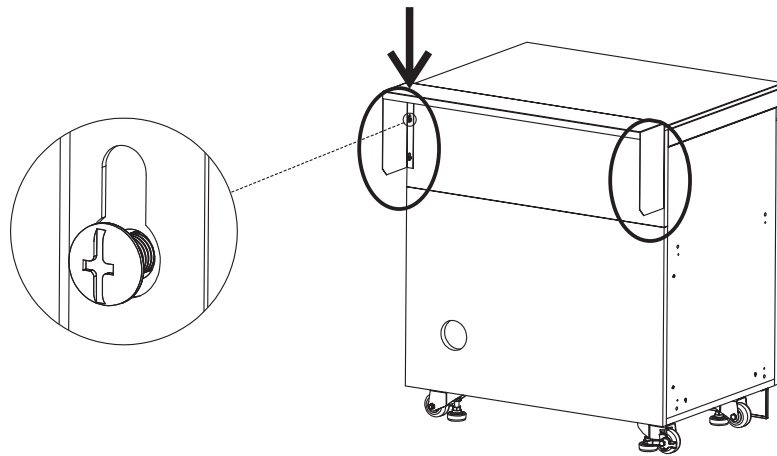
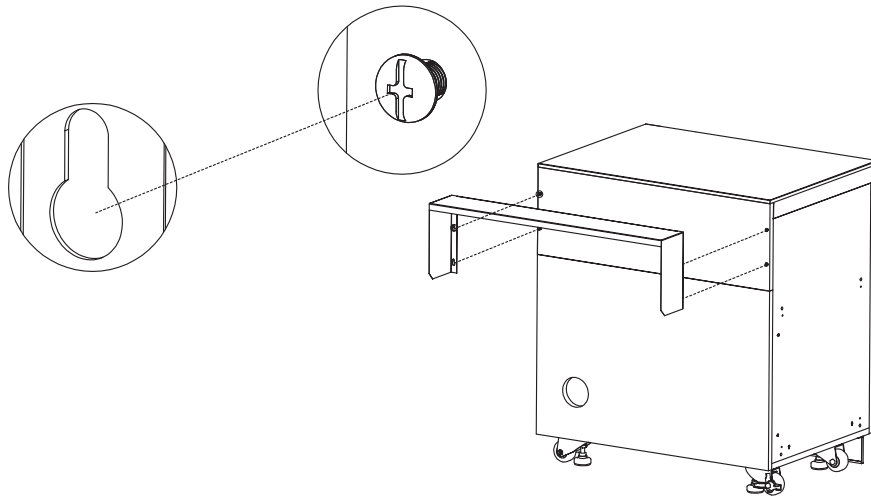


Please read these instructions carefully before the installation or usage process.

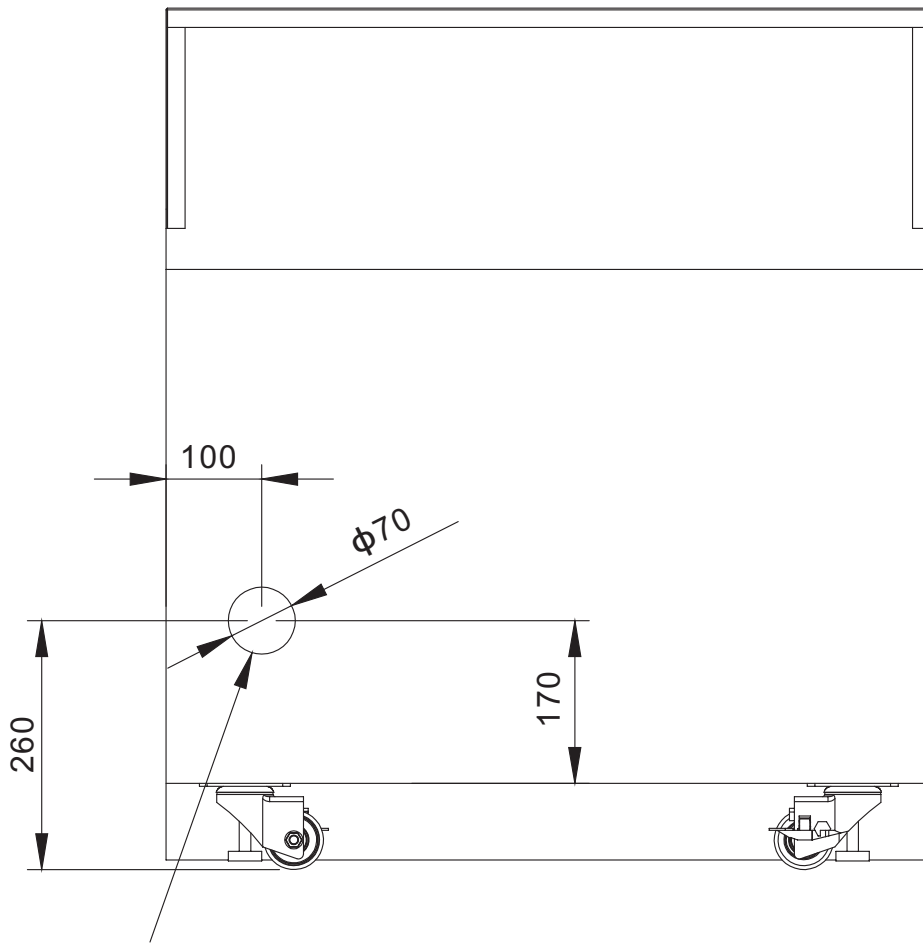
Step 1

Install extension panel.

- ① Loosen the screws of the extension panel a little bit to hang the extension panel.
- ② Place the bench top extension panel over the screws.
- ③ Secure the extension panel with fastening screws.



Step 2



Hole for the plug of the fridge.

Step 3

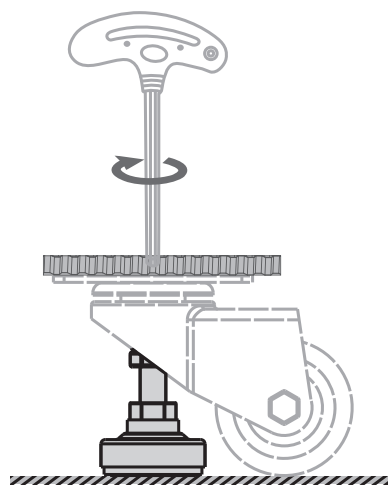
Joining the cabinets together.

- ① Adjust all cabinets to be aligned with the height of the fridge cabinet.
(if you have included a fridge cabinet in the design of your kitchen)

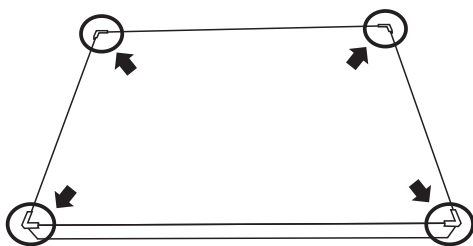


WARNING

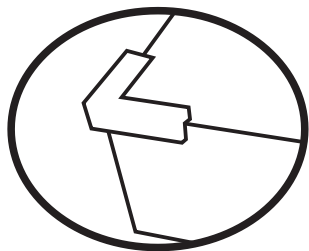
Please adjust the retractable leg and make sure it is securely positioned on the ground after installation.



WARNING ON WORKTOP



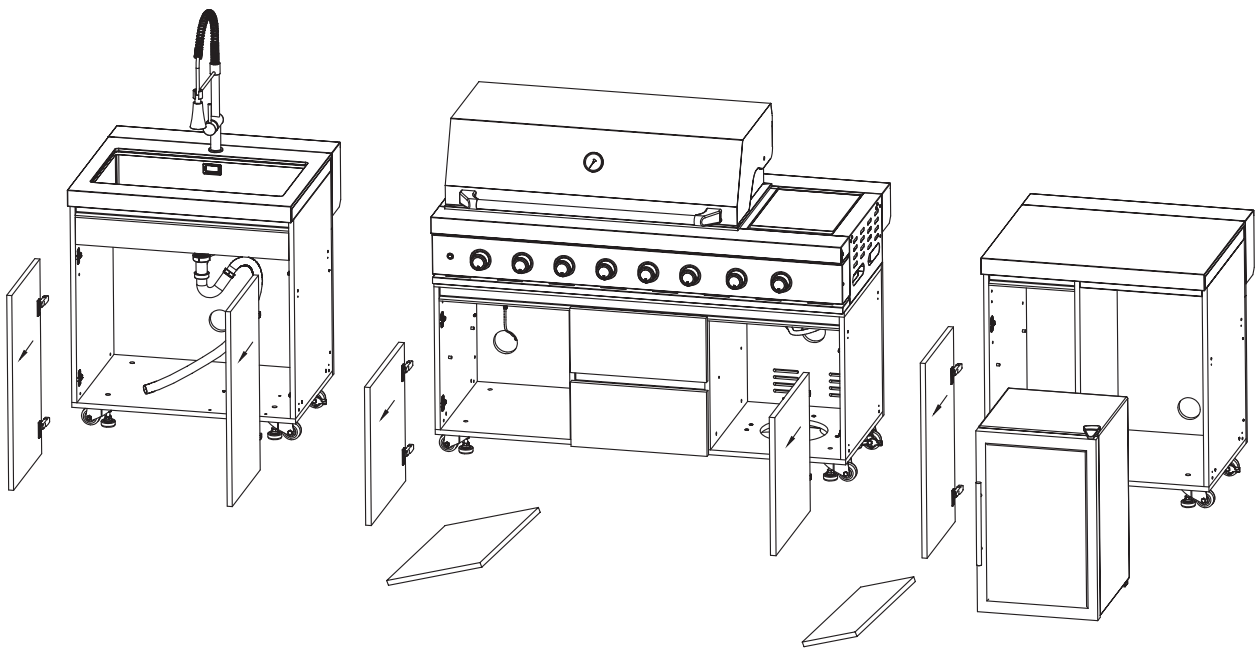
DO NOT
remove the protection corner
before joining each module.



REMOVE
the protection corner only
when you have joined the
modules.

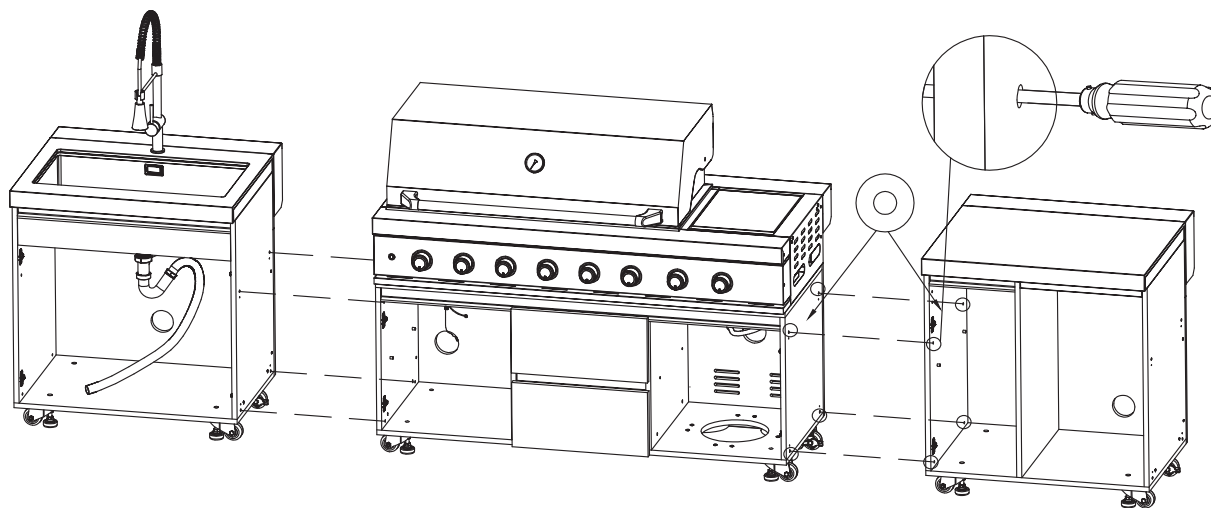


- ② Remove the doors of the cabinets will be connected with the fridge cabinet, by releasing the hinge using the clip at the back. Take out the shelves and the fridge.

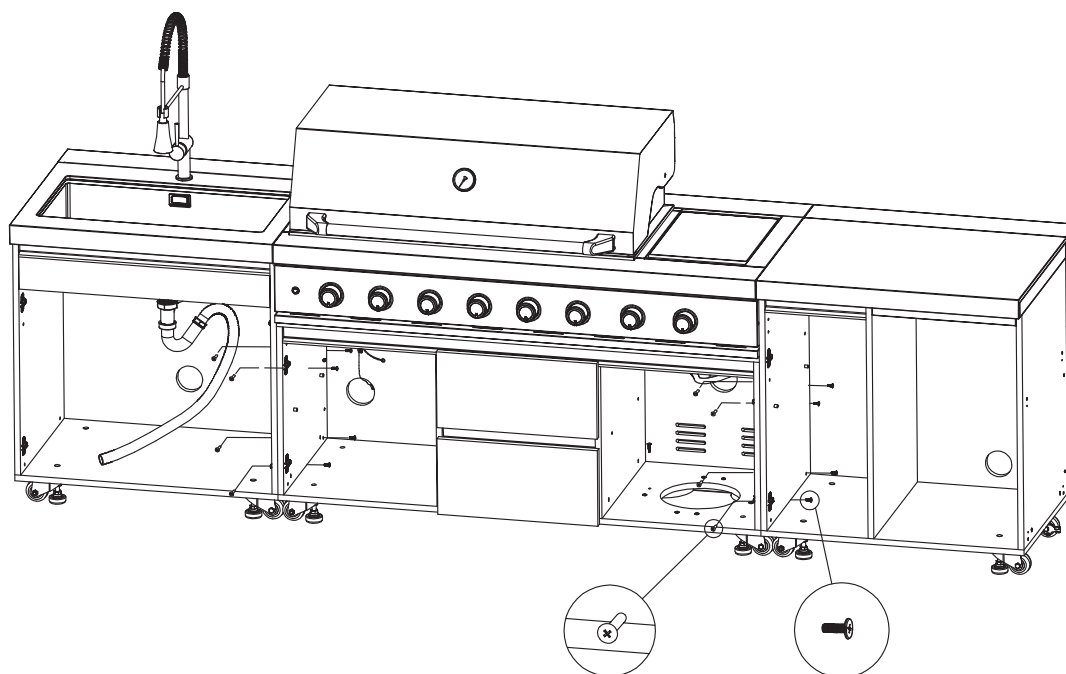


Note: Double door floor cabinet and sink cabinet follow the same cabinet connection instructions.

- ③ Insert a screwdriver through the upper left connection holes.
- ④ Firstly connect the cabinets using the lower left connection holes with 1pc cabinet connection screw.

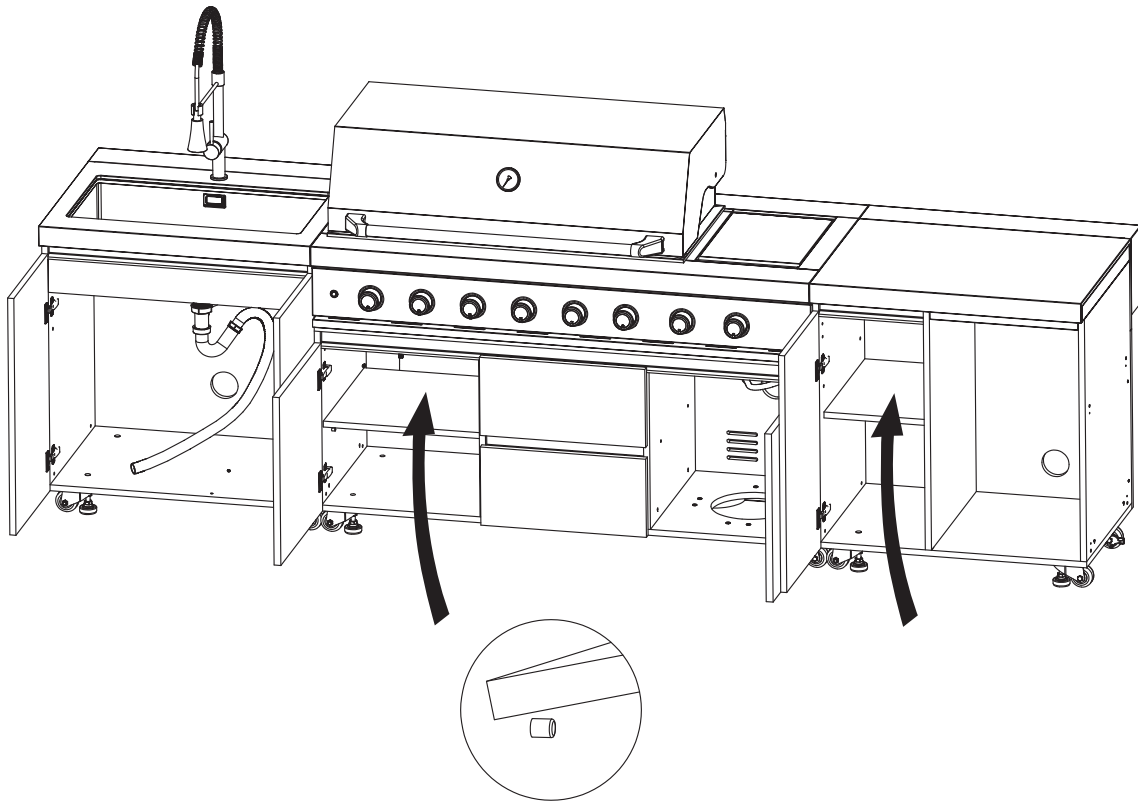


- ⑤ Install the other 3 connection points with Cabinet connection screws.



M5x25mm 8PCS

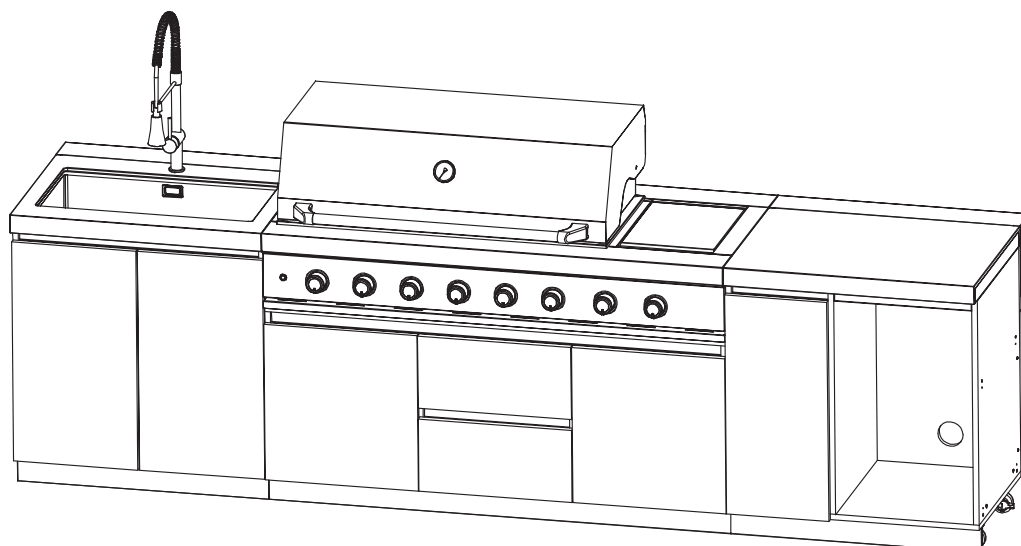
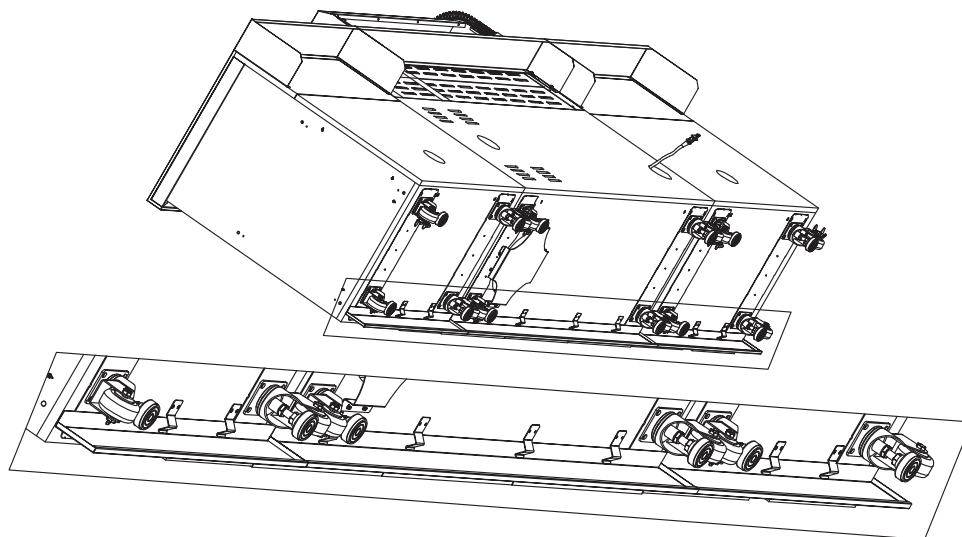
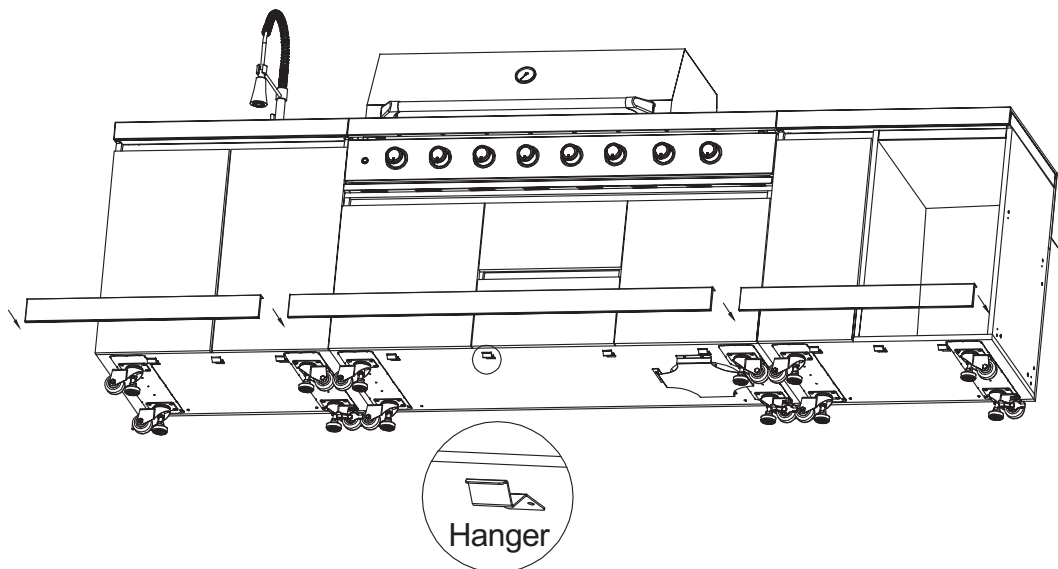
⑥ Place shelves into the cabinet and secure, Re-attach the doors.



Put the shelves on the shelf clips.

Step 4

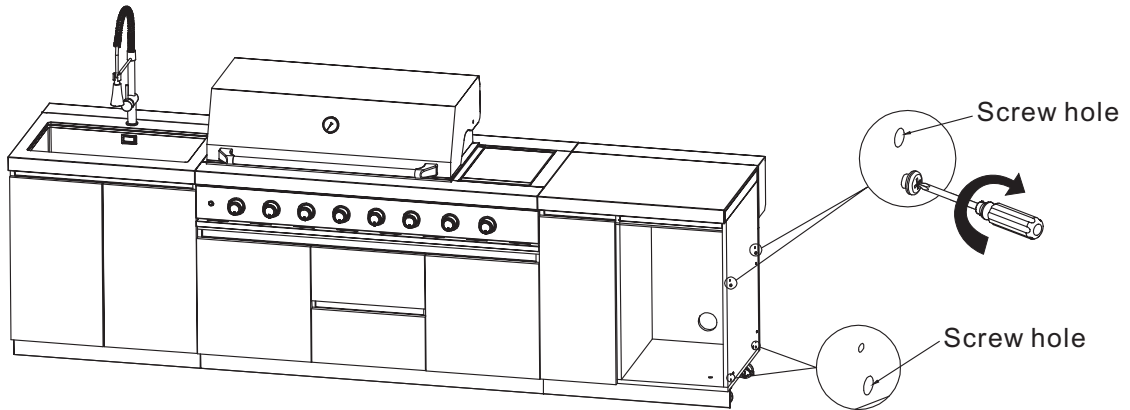
Install the kick-boards.
Hang the kick-boards on the hanger.



Step 5

Install the End Panel.

- ① Insert 4pcs M4x12mm screws.
- ② Hang the end panel over the M4x12mm screw.

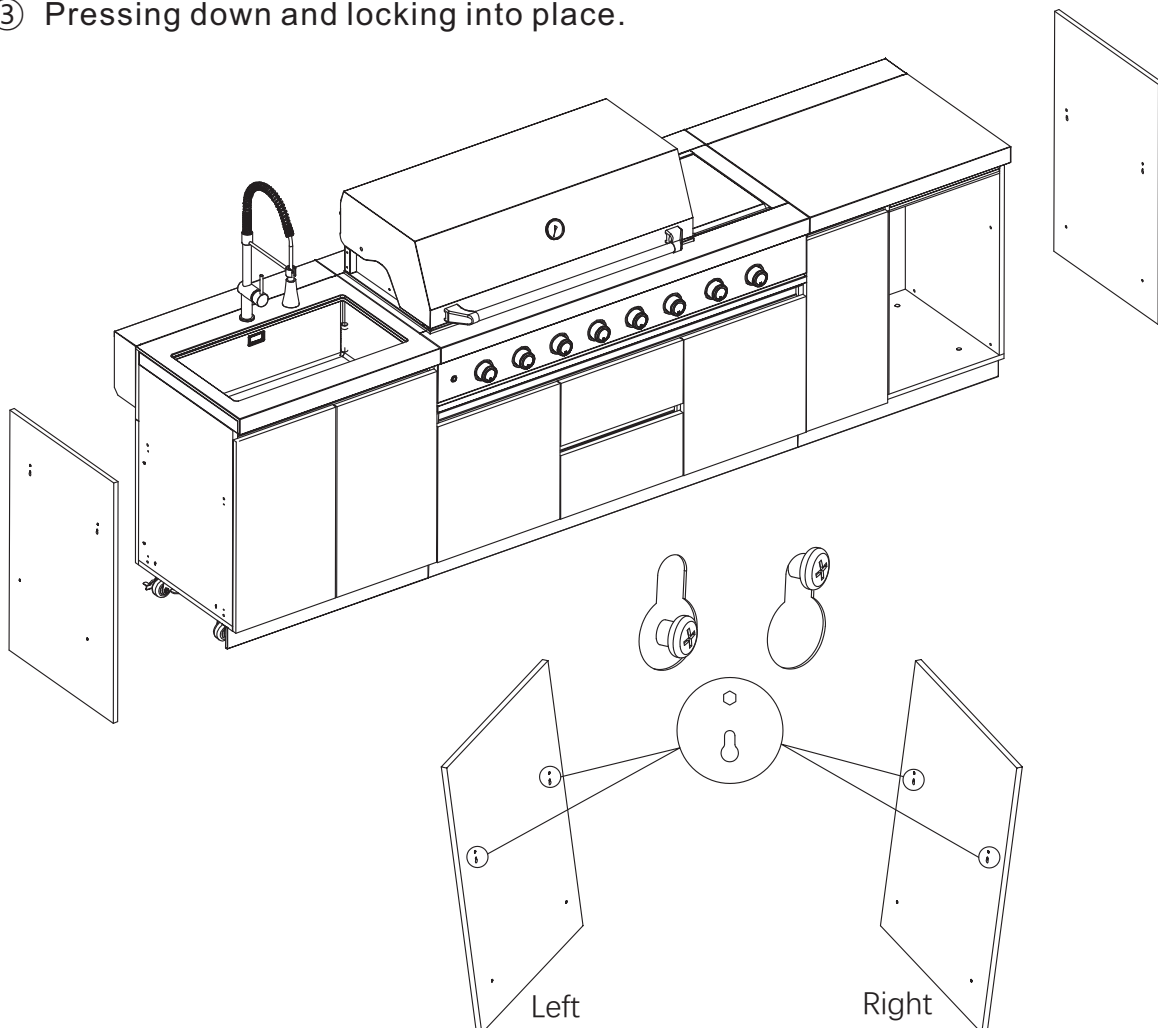


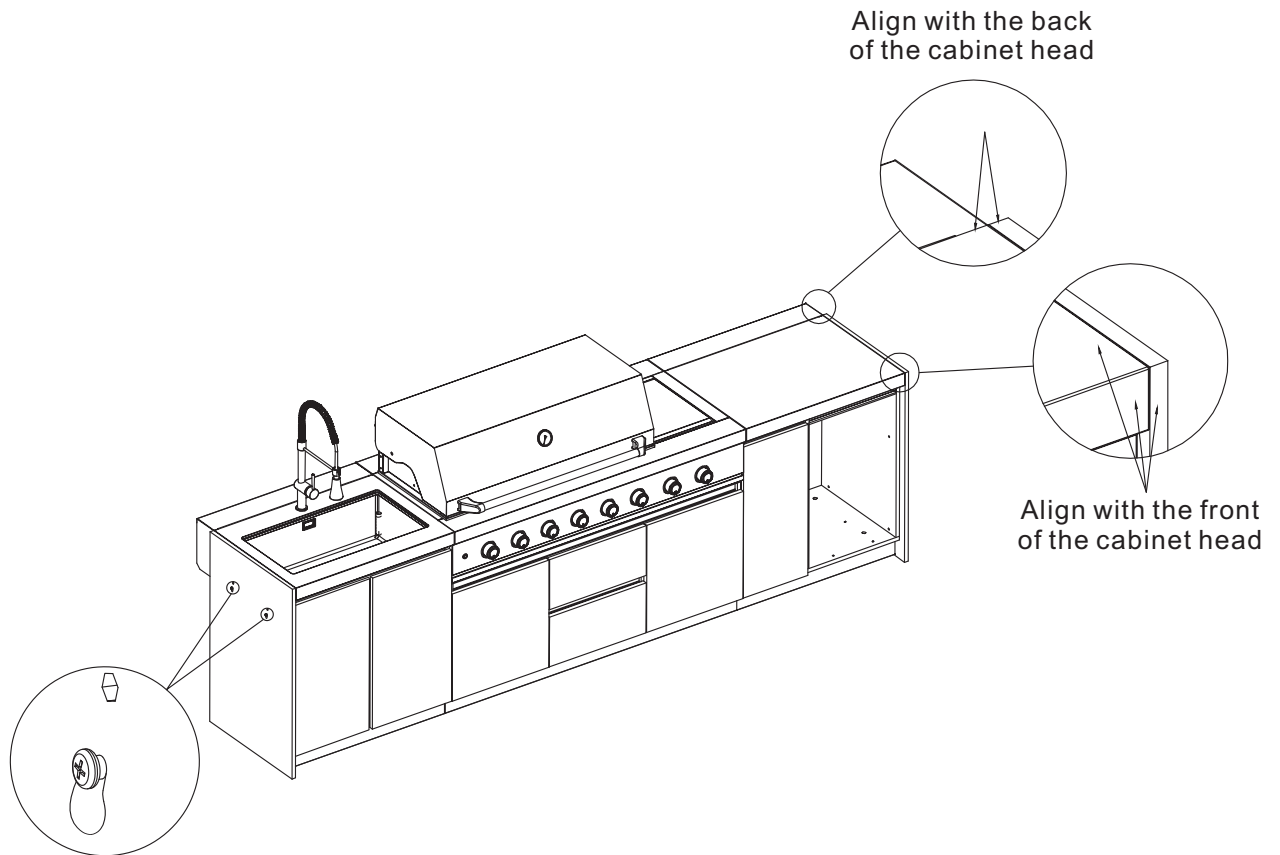
not
supplied



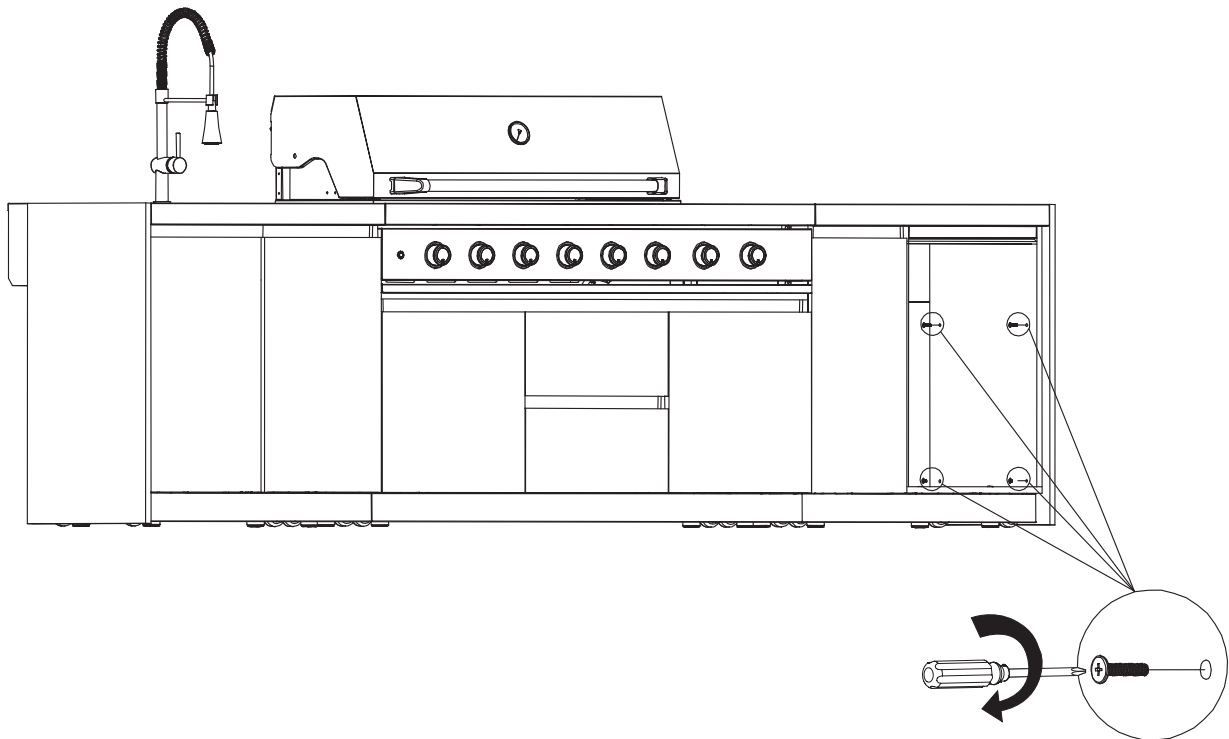
M4x12mm Screw 4PCS

- ③ Pressing down and locking into place.





④ Secure the end panel with the M5x25mm screws.



Note: End panels will only be installed on the right and left sides of each kitchen.



M5x25mm 8PCS

- ⑤ Put the gas bottle in and connect the gas the pressure reduction valve.
- ⑥ Put the fridge in the connect the electricity.

