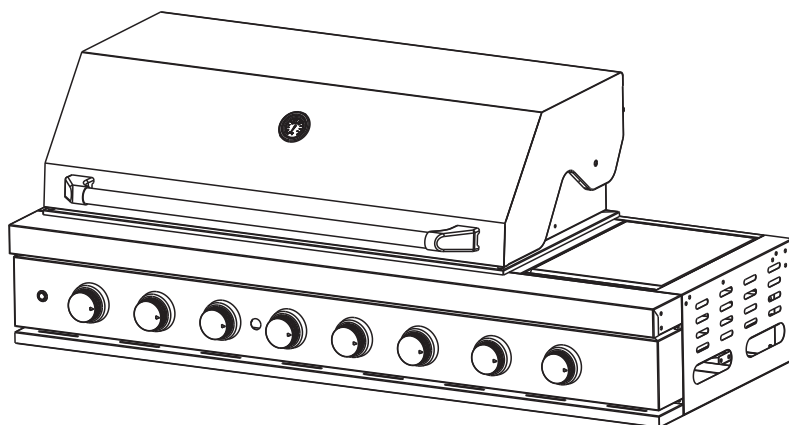


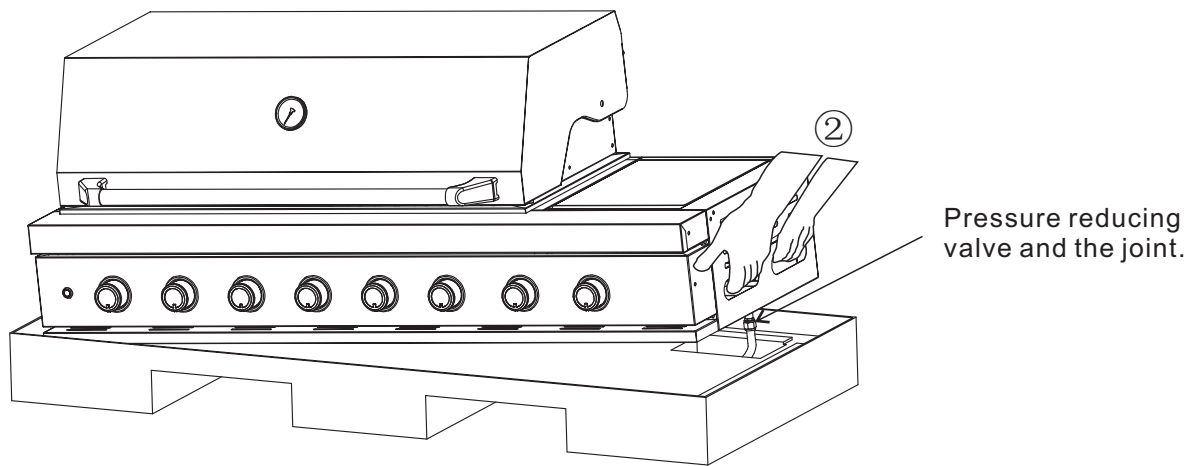


# Grill Head Assembly Instructions



Please read these instructions carefully before the installation or usage process.

## Step 1



### BBQ installation preparation (2 people)

- ① Carefully take all accessories out of the BBQ and place aside and unpack the BBQ Cabinet.
- ② Without lifting the BBQ off the pallet, carefully tilt the grill head back (2 people) to remove the plastic ties and release the gas hose.

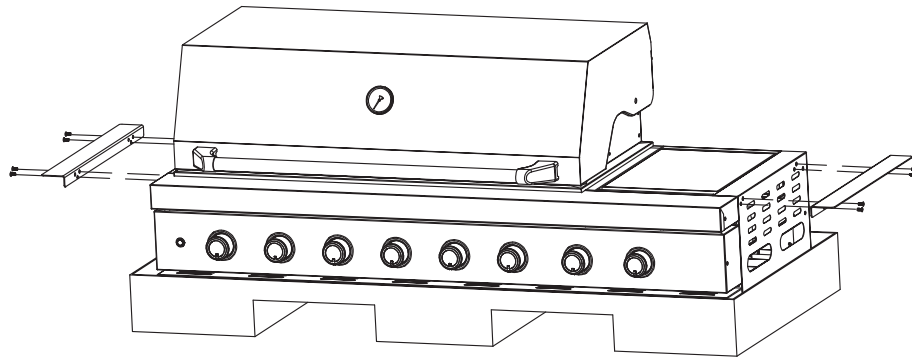
Note: Do not press the valve during this process to prevent potential damage.

## Step 2

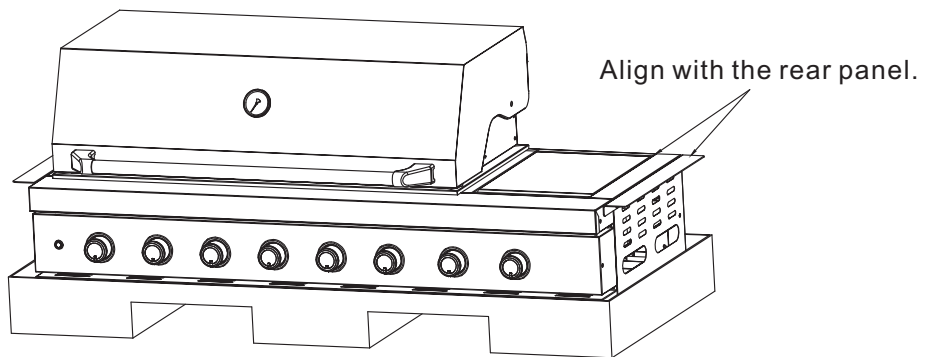
### Installing the Built-In BBQ in your customized kitchen.

- ① Install the bracket onto the BBQ.
- ② Ensure the valve is positioned correctly into the hole for valve.

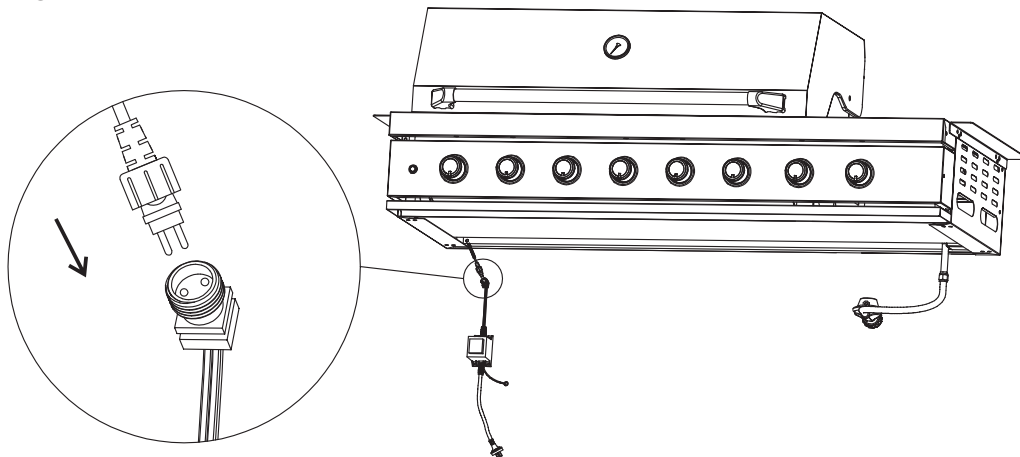
(Note: This step is for built-in BBQ only.)



**M5x15mm 8PCS**



- ③ Ensure the transformer is positioned correctly into the hole for transformer.
- ④ Plug in the transformer.

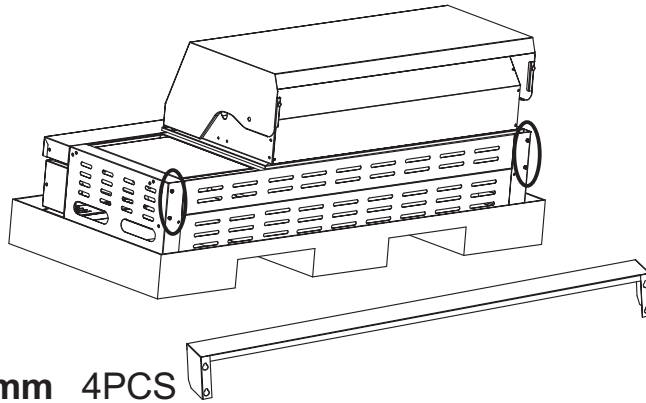


Plug in and turn clockwise to lock.

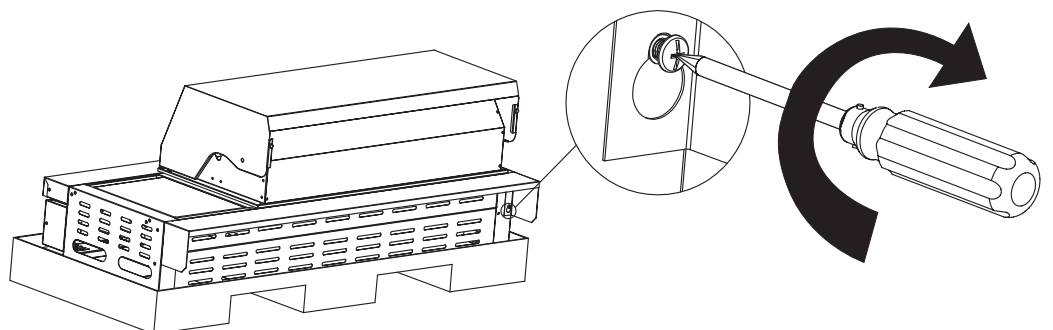
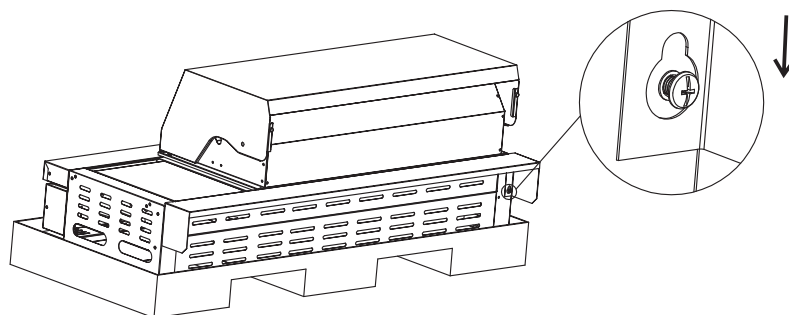
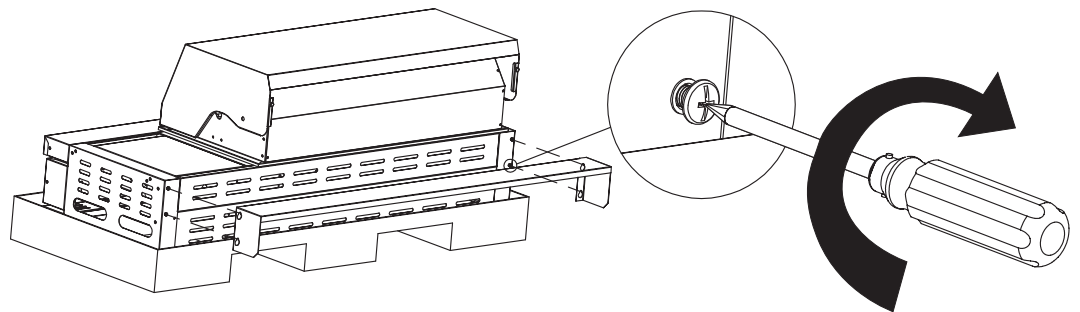
## Step 3

### Attach the Bench Top Extension Panel.

- ① Install the extension filler panel on the back of the BBQ using 4pcs M5x10mm screws but don't tighten them.
- ② Hang the bench top extension panel on the screws.
- ③ Tighten the screws to secure both the rear panel & bench top extension panel.



M5x10mm 4PCS

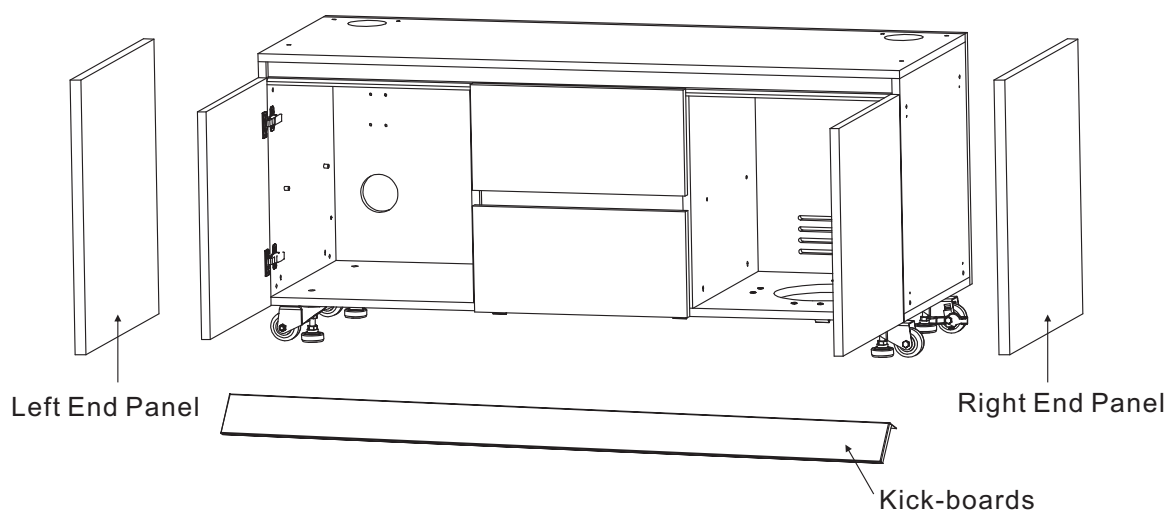


## Step 4

### BBQ cabinet installation preparation

Carefully take the end panels and kick-boards out of the carton.  
Do not remove plastic bag until Step 10 to avoid scratching.

(Note: This step is for customers who purchased both a built-in bbq and cabinet – continue to Step 5)



### Position the BBQ cabinet

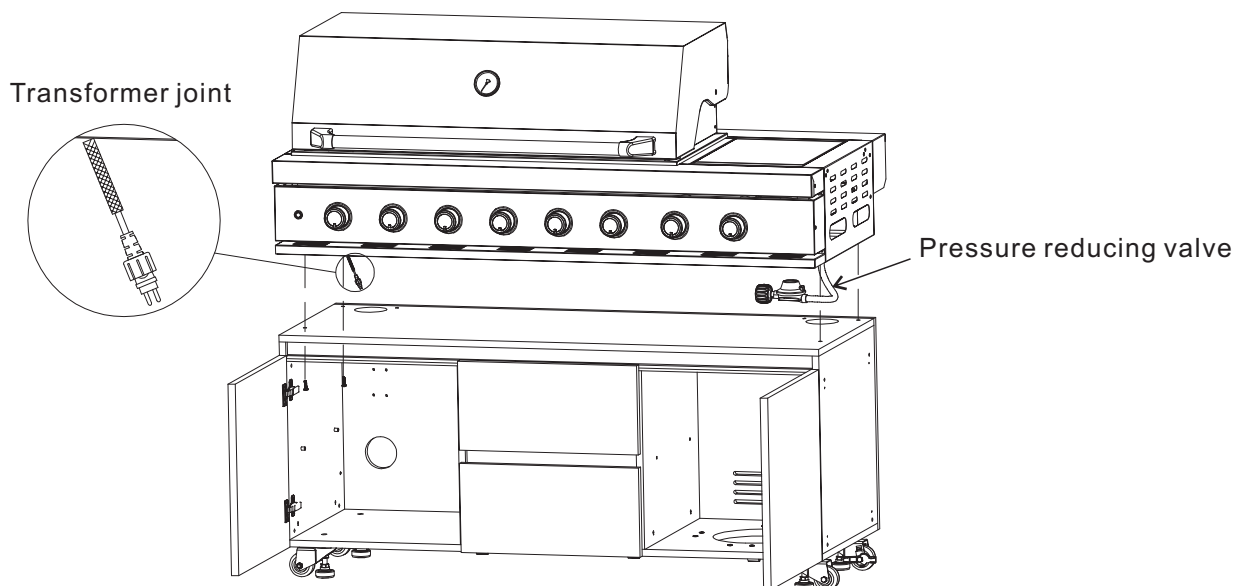
- ① Lift the cabinet off the pallet and place on the flat ground  
(2 people lift required)
- ② Using the allen key tool (provided) to adjust the legs up off the ground so the castor wheels are on the ground for easy moving.



## Step 5

### Position the bbq on the bbq cabinet.

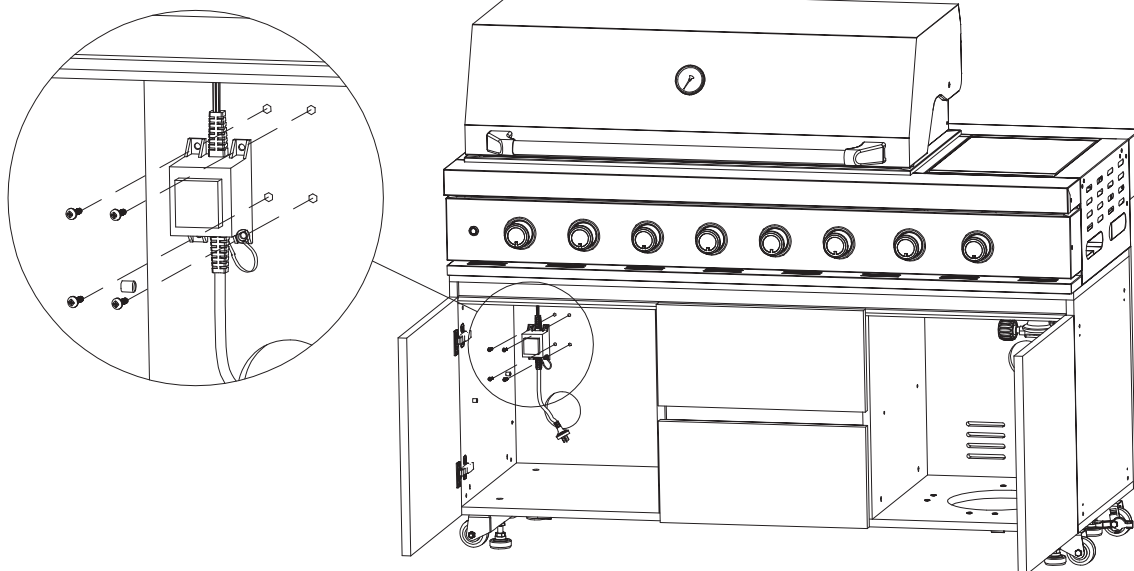
- ① Lift the bbq up and direct the gas hose and transformer joint down into the holes at each end of the cabinet.



## Step 6

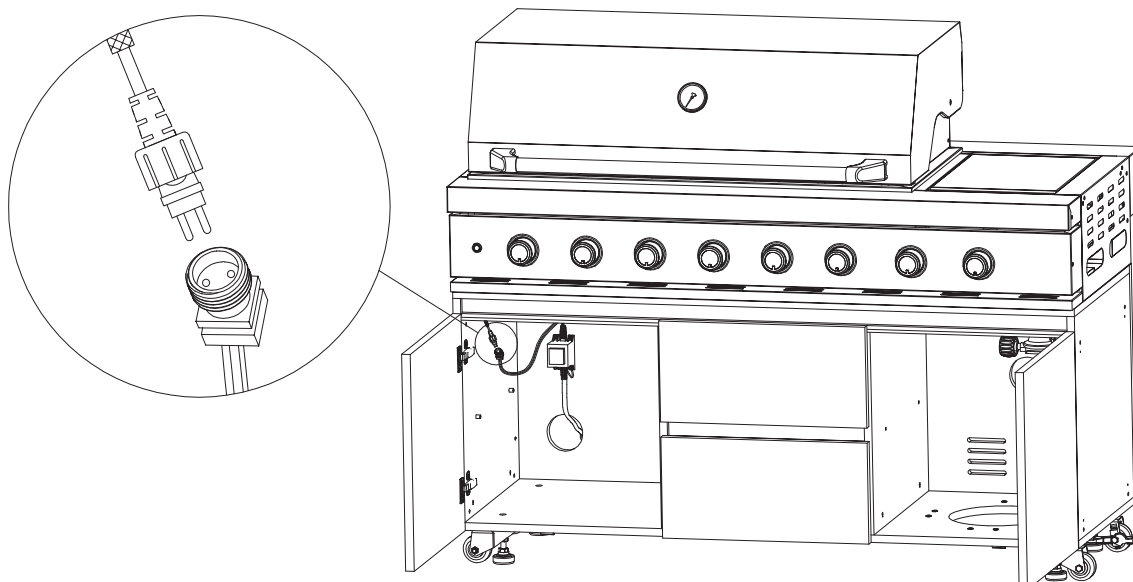
### Install the transformer.

- ① Position the transformer with 4pcs M4x16mm screws.



M4x16mm 4PCS

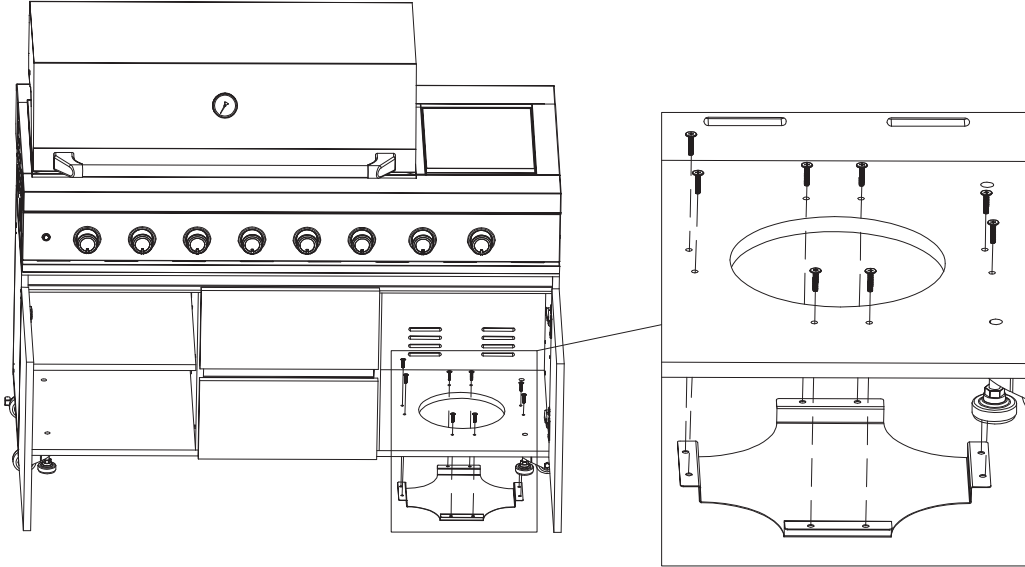
- ② Plug in and turn clockwise to lock.



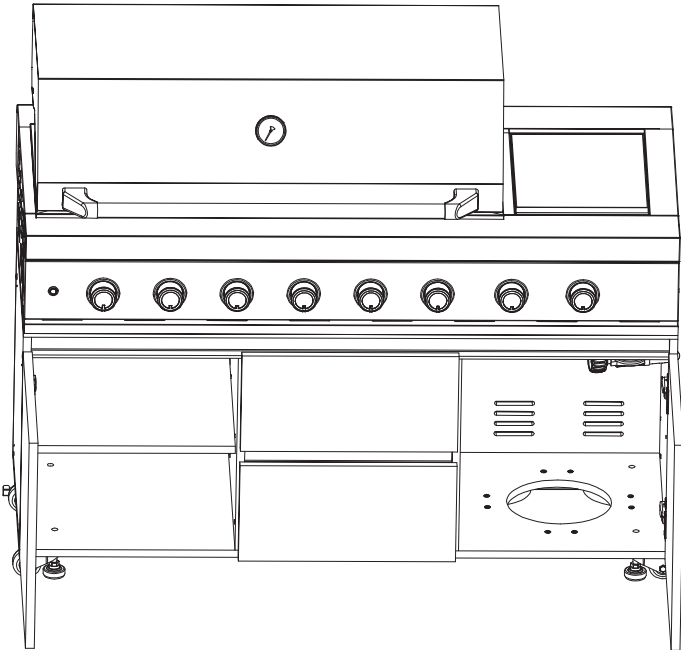
# Step 7

Install the cylinder holder for the gas bottle.

- ① Install the Gas Bottle Cylinder with 4pcs M5x25mm Screws.



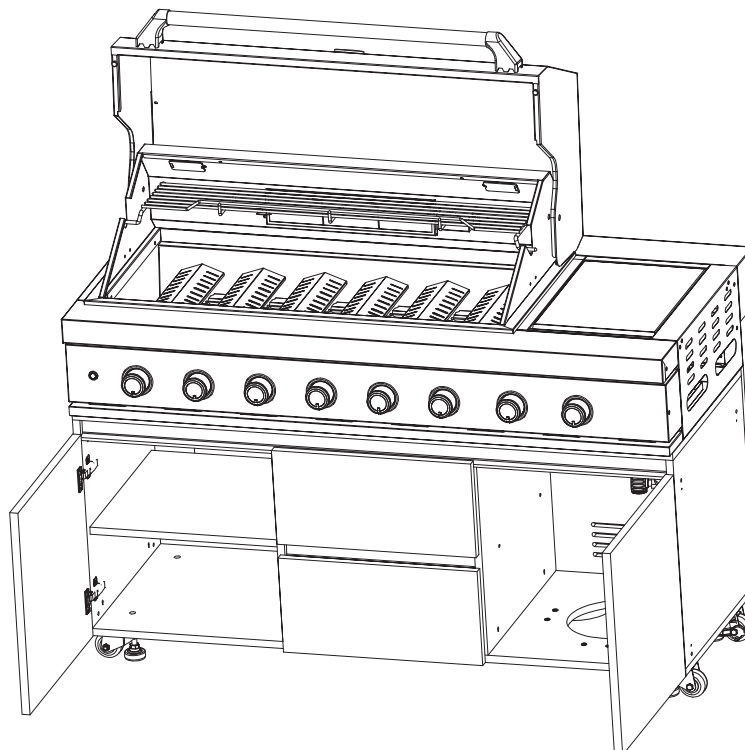
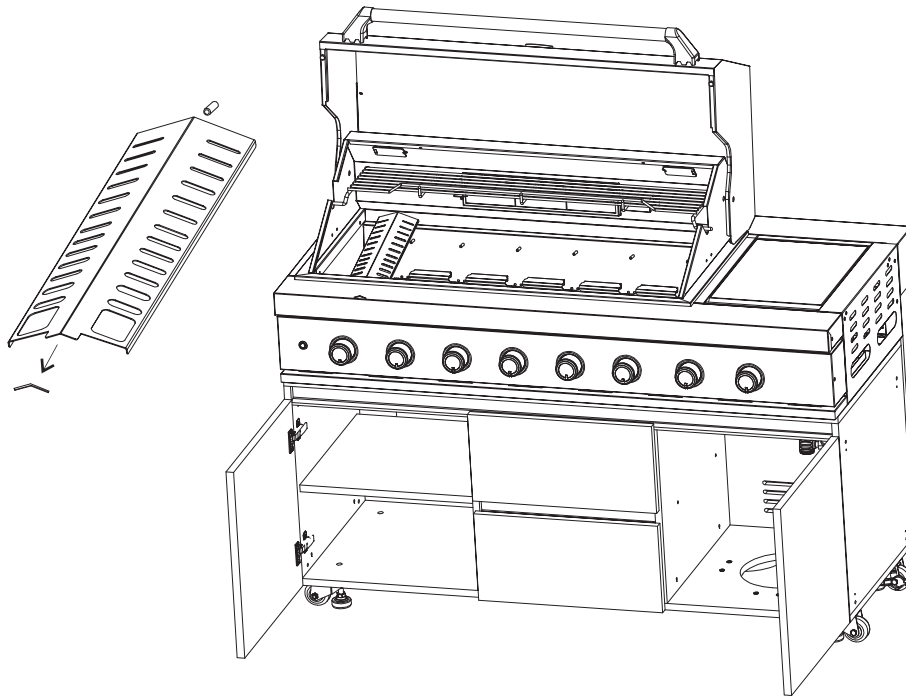
**M5x25mm 4PCS**



## Step 8

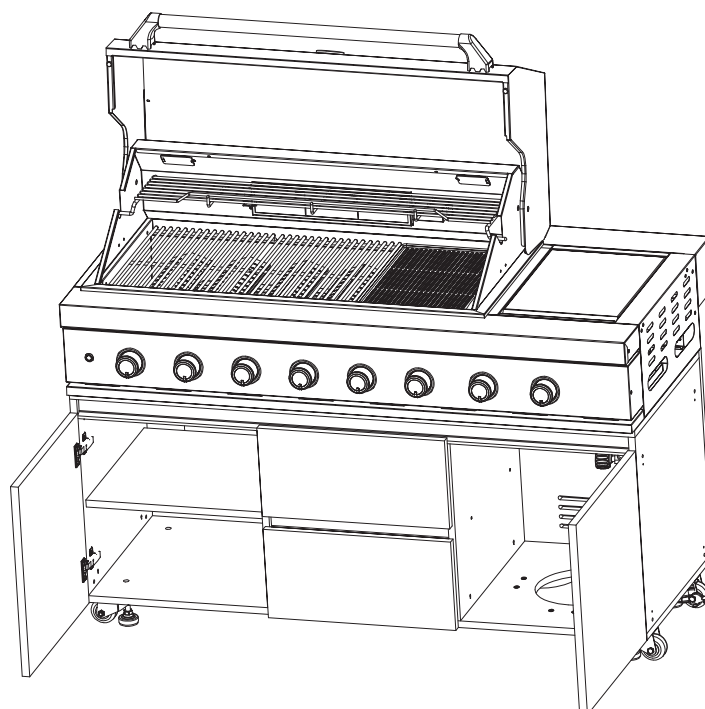
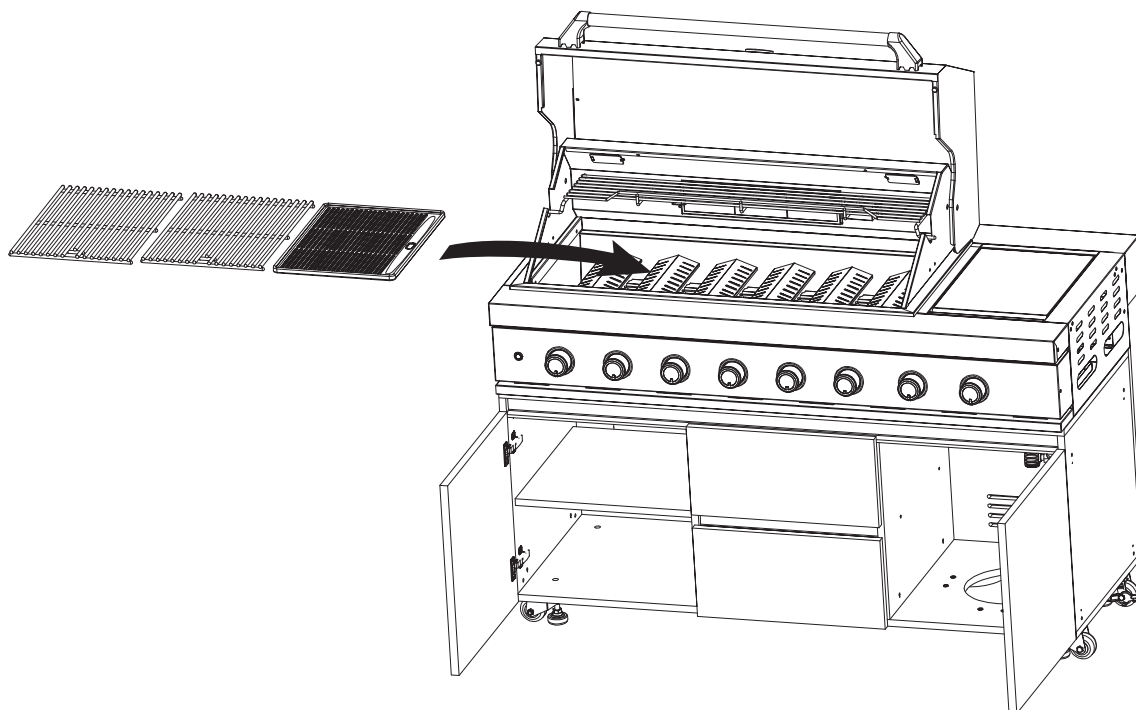
### Place the tamers.

- ① Protrude part insert into the open mouth on the front.
- ② Place the tamer on the holding pin backward.



## Step 9

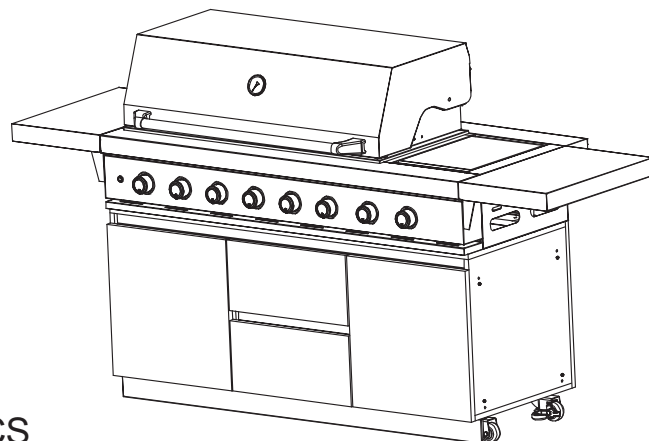
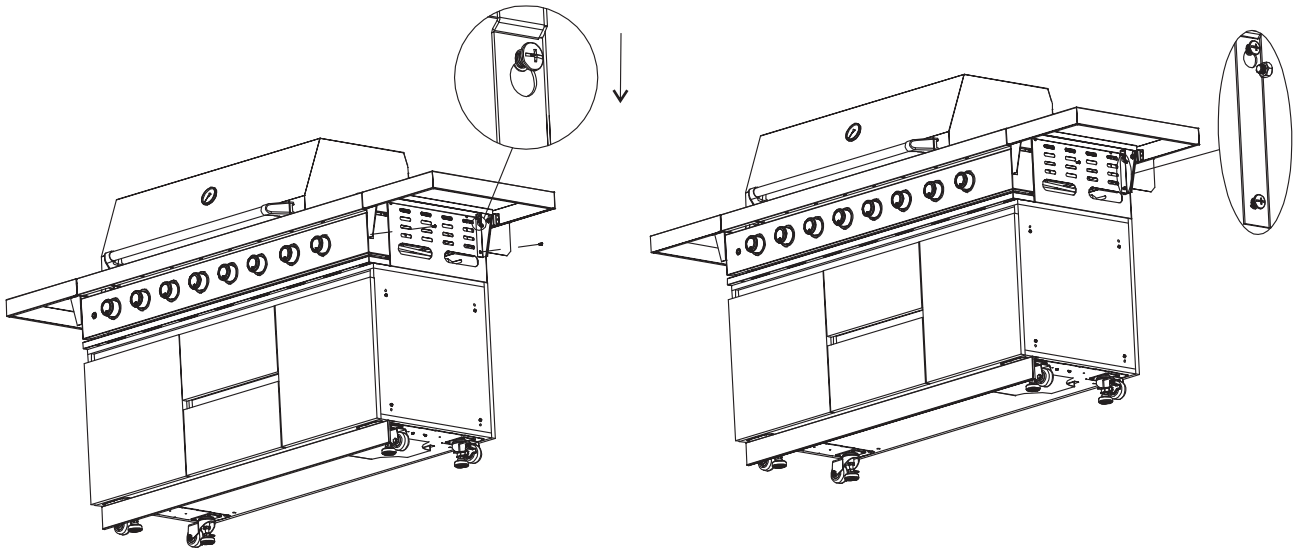
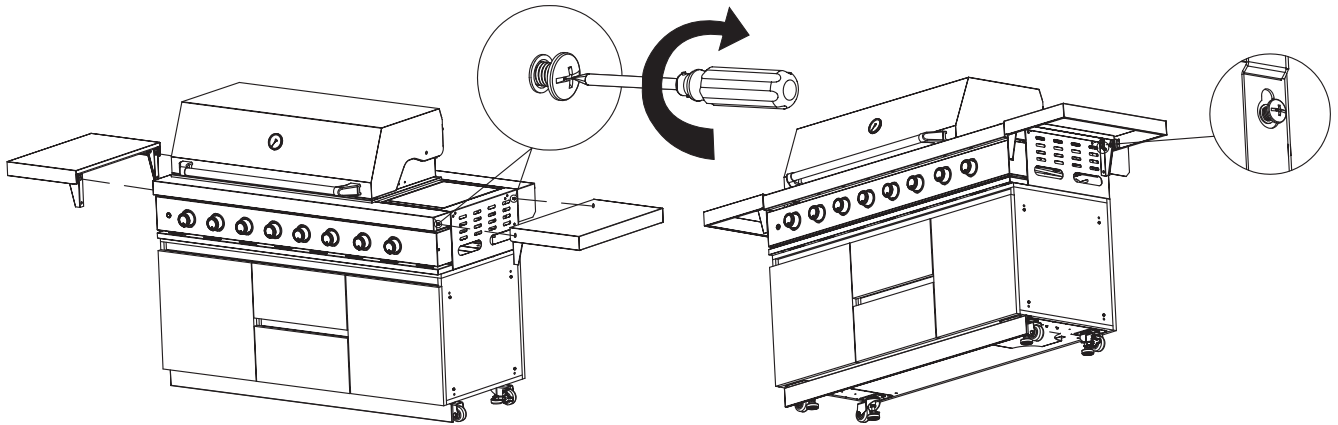
Place the grills and grill plate.



## Step 10

### Side Shelves Installation.

- ① Install 4pcs M5x15mm screws in the holes on each side but ensuring not to fully tighten cause you need to attach the side shelves by these screws.
- ② Place the side shelves on the screws and press down to lock.
- ③ Tighten the screws to secure the side shelves.



**M5x15mm 8PCS**

Note: This step is for customer don't need to connect grill cabinet with other cabinets.

## Step 11

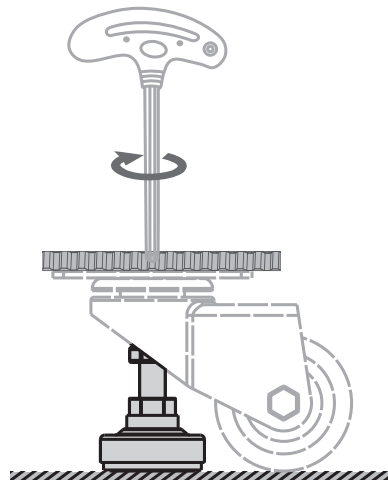
### Joining the cabinets together.

- ① Adjust all cabinets to be aligned with the height of the fridge cabinet.  
(if you have included a fridge cabinet in the design of your kitchen)

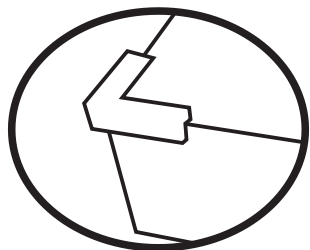
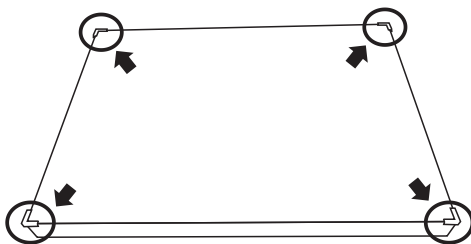


## WARNING

Please adjust the retractable leg and make sure it is securely positioned on the ground after installation.



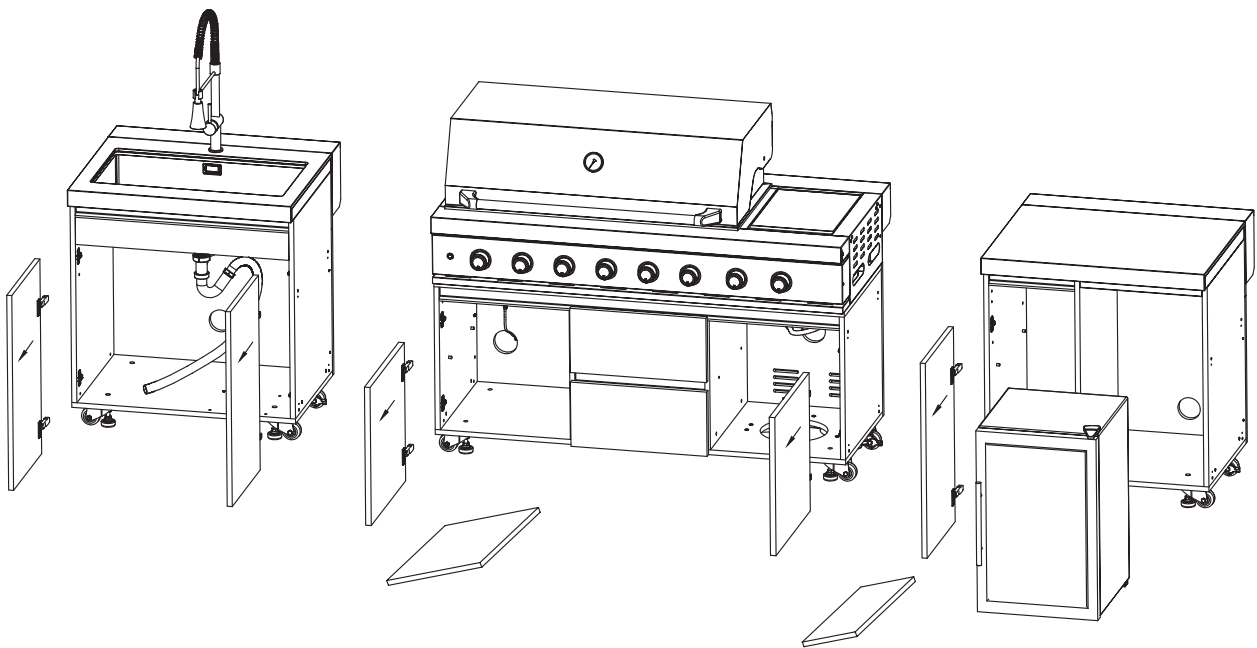
## WARNING ON WORKTOP



**DO NOT**  
remove the protection corner  
before joining each module.

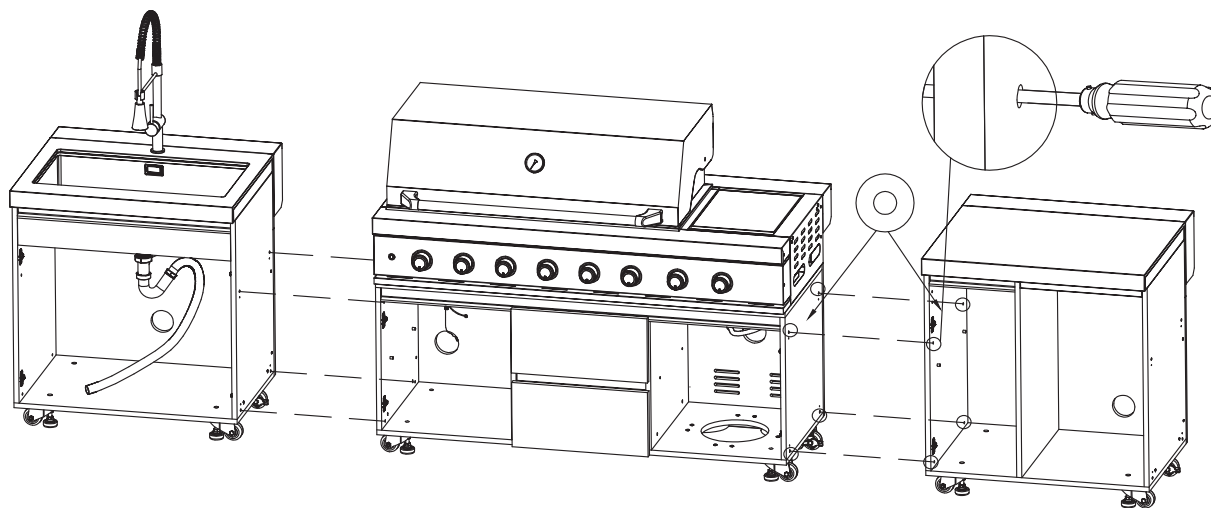
**REMOVE**  
the protection corner only  
when you have joined the  
modules.

- ② Remove the doors of the cabinets will be connected with the fridge cabinet, by releasing the hinge using the clip at the back. Take out the shelves and the fridge.

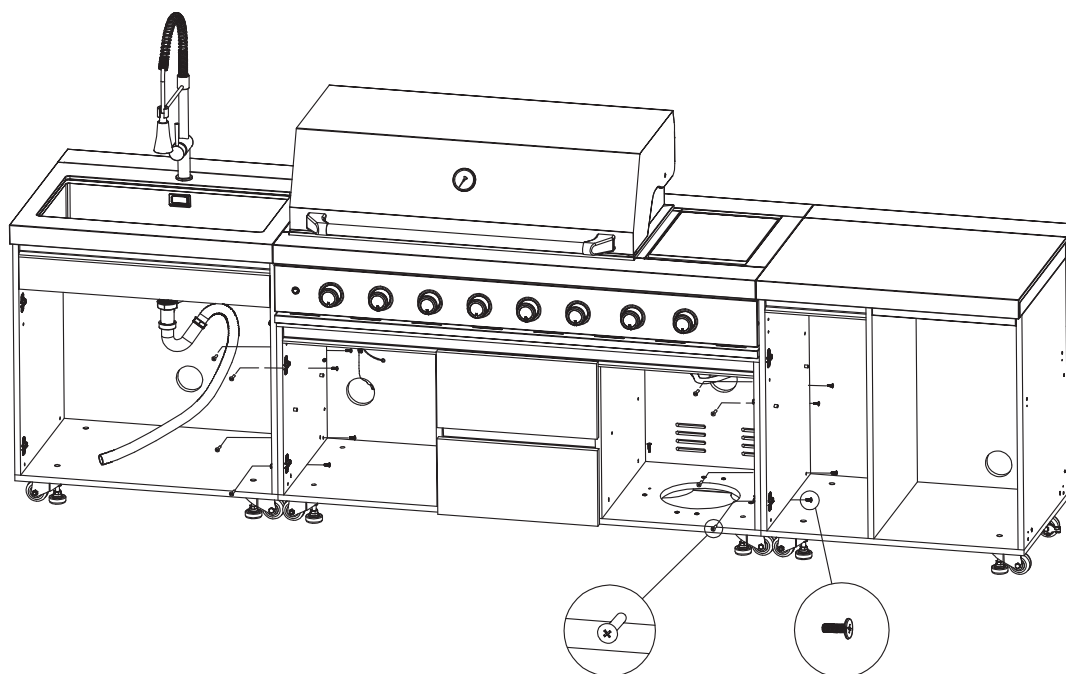


Note: Double door floor cabinet and sink cabinet follow the same cabinet connection instructions.

- ③ Insert a screwdriver through the upper left connection holes.
- ④ Firstly connect the cabinets using the lower left connection holes with 1pc cabinet connection screw.

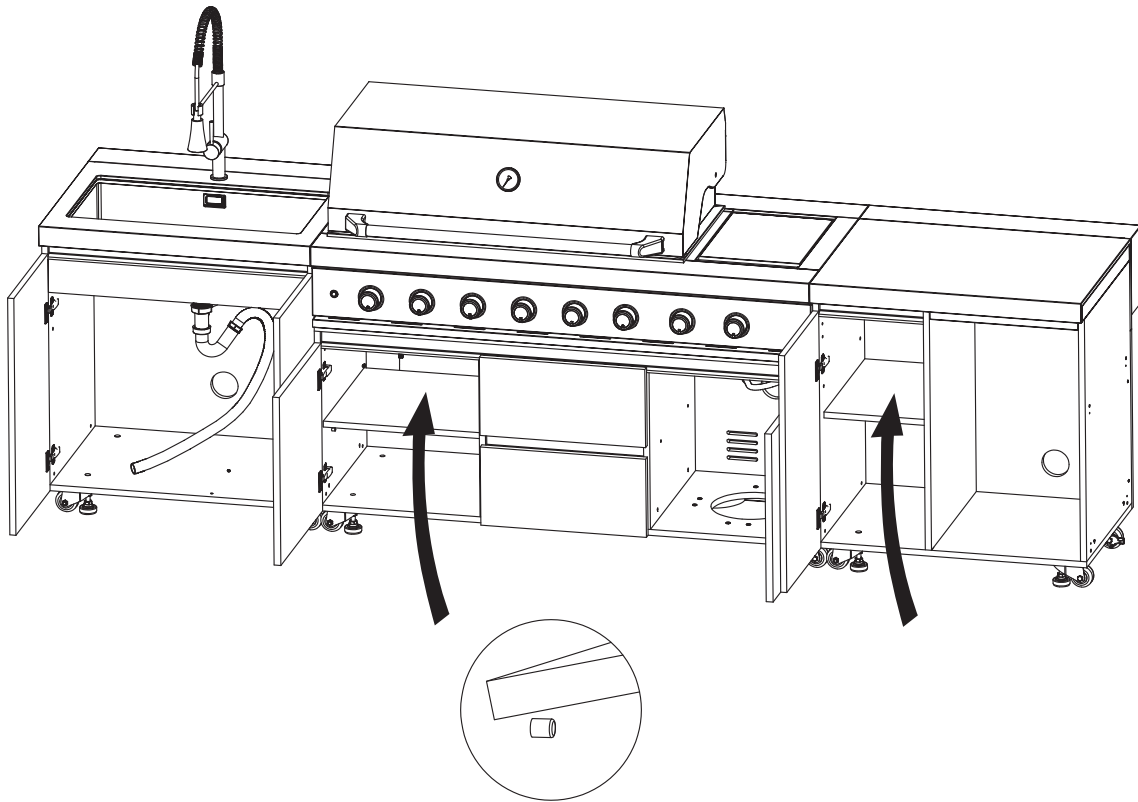


- ⑤ Install the other 3 connection points with Cabinet connection screws.



**M5x25mm 8PCS**

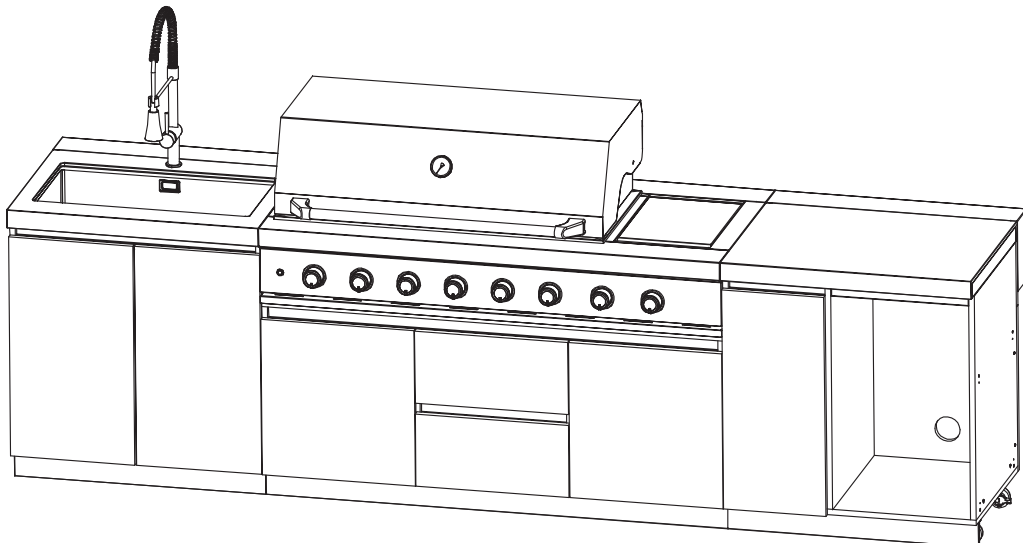
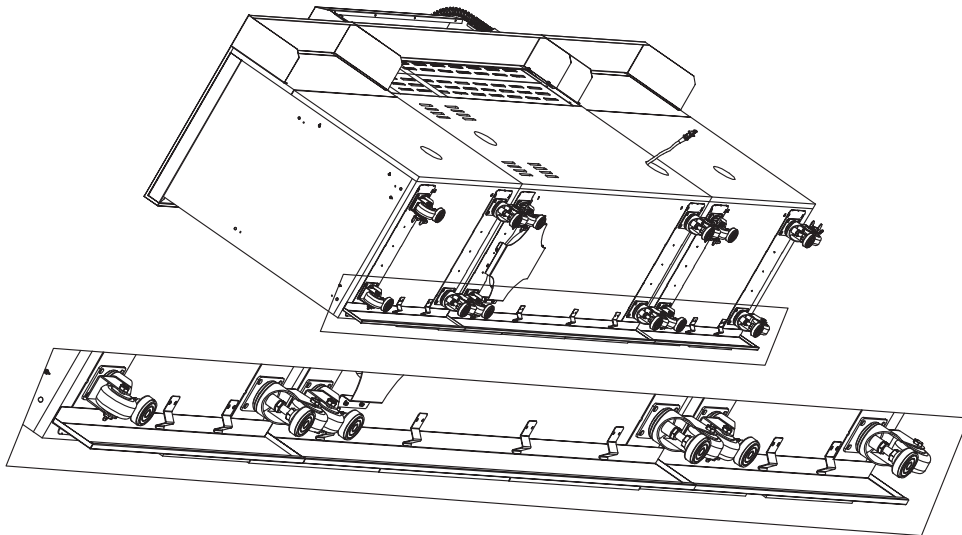
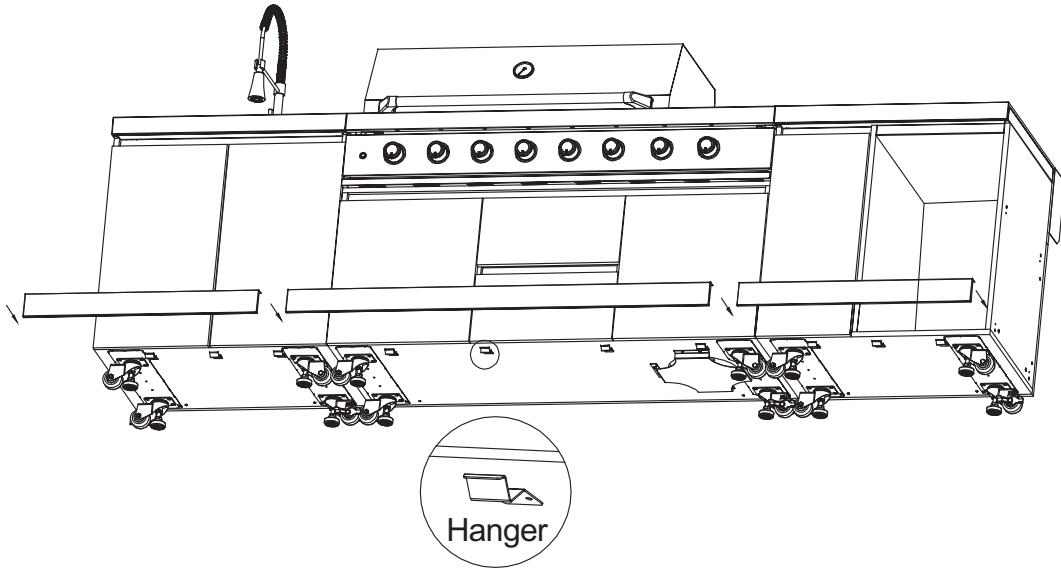
⑥ Place shelves into the cabinet and secure, Re-attach the doors.



Put the shelves on the shelf clips.

## Step 12

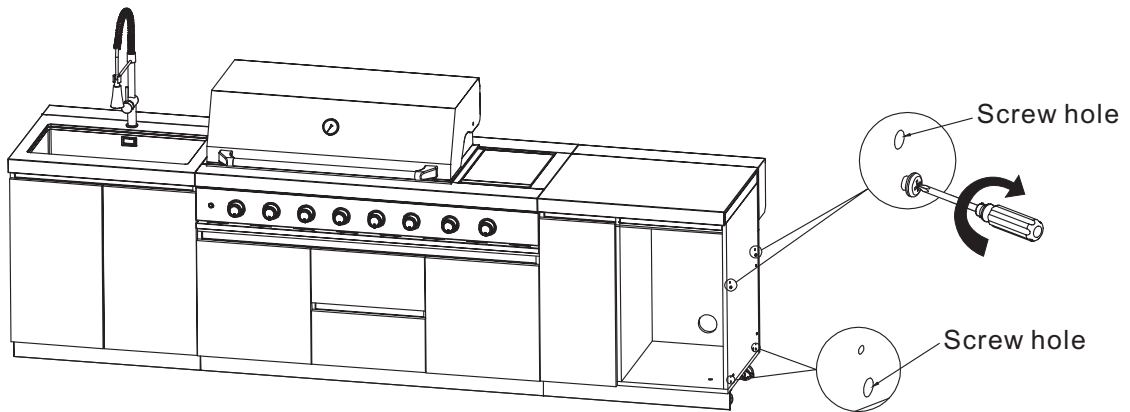
**Install the kick-boards.**  
Hang the kick-boards on the hanger.



## Step 13

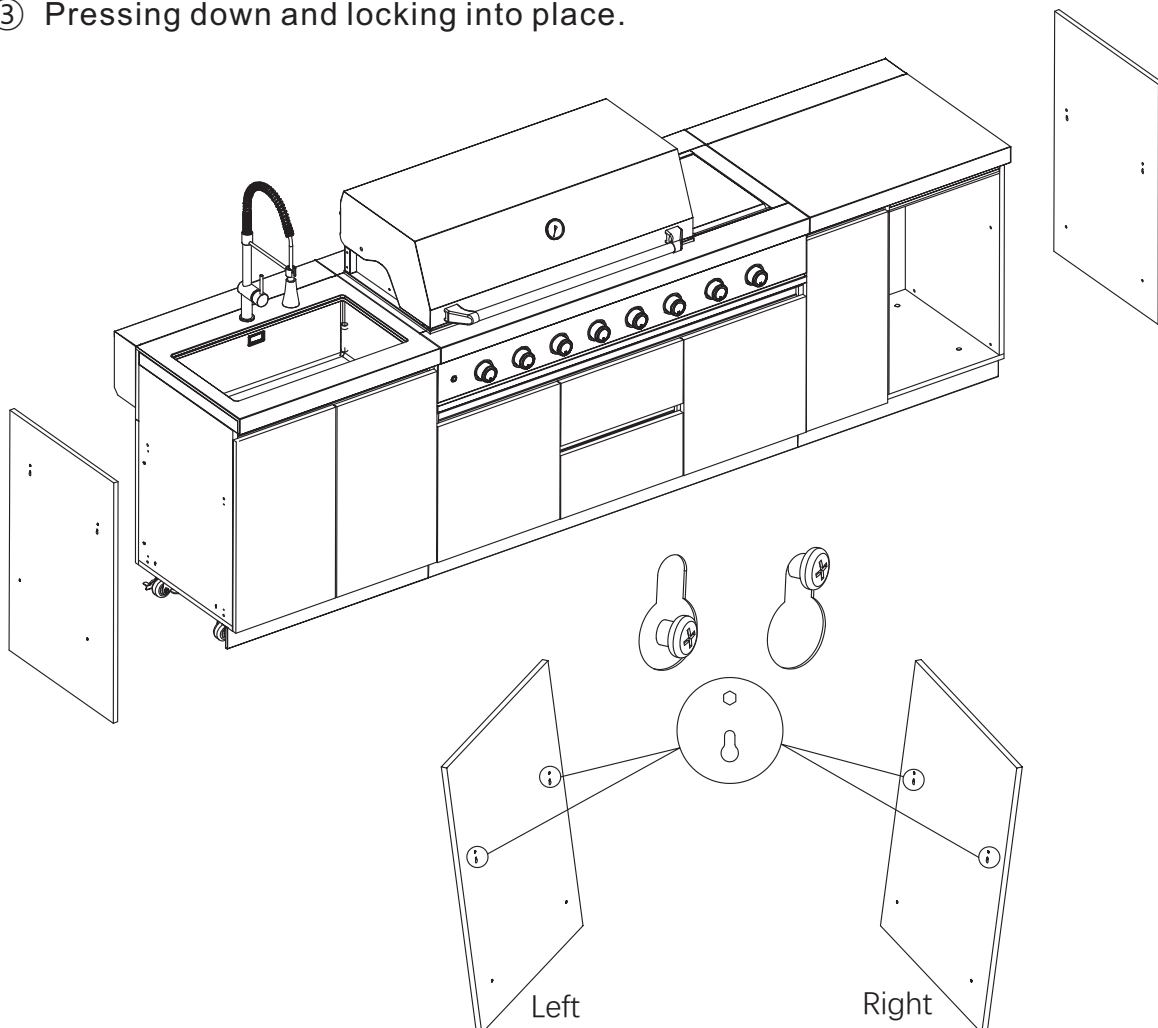
### Install the End Panel.

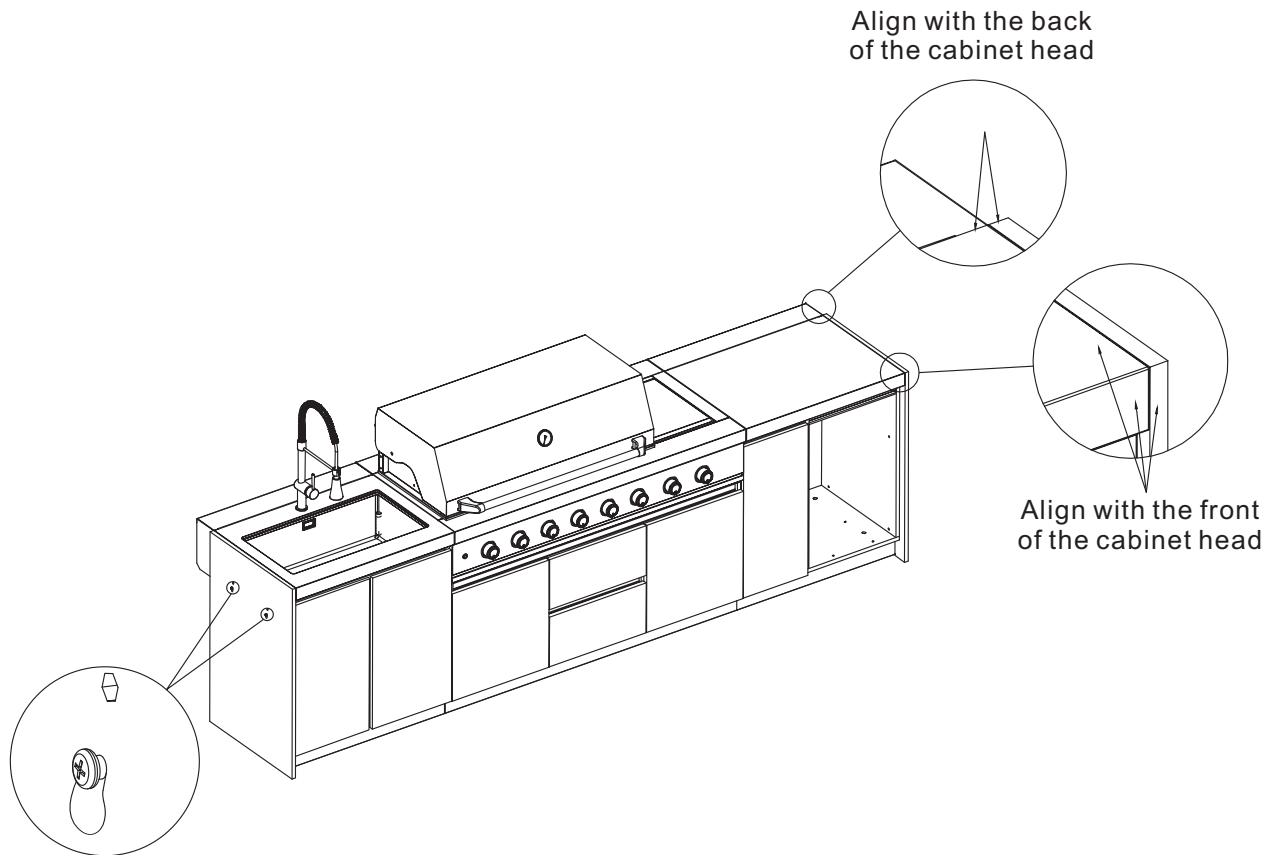
- ① Insert 4pcs M4x12mm screws.
- ② Hang the end panel over the M4x12mm screw.



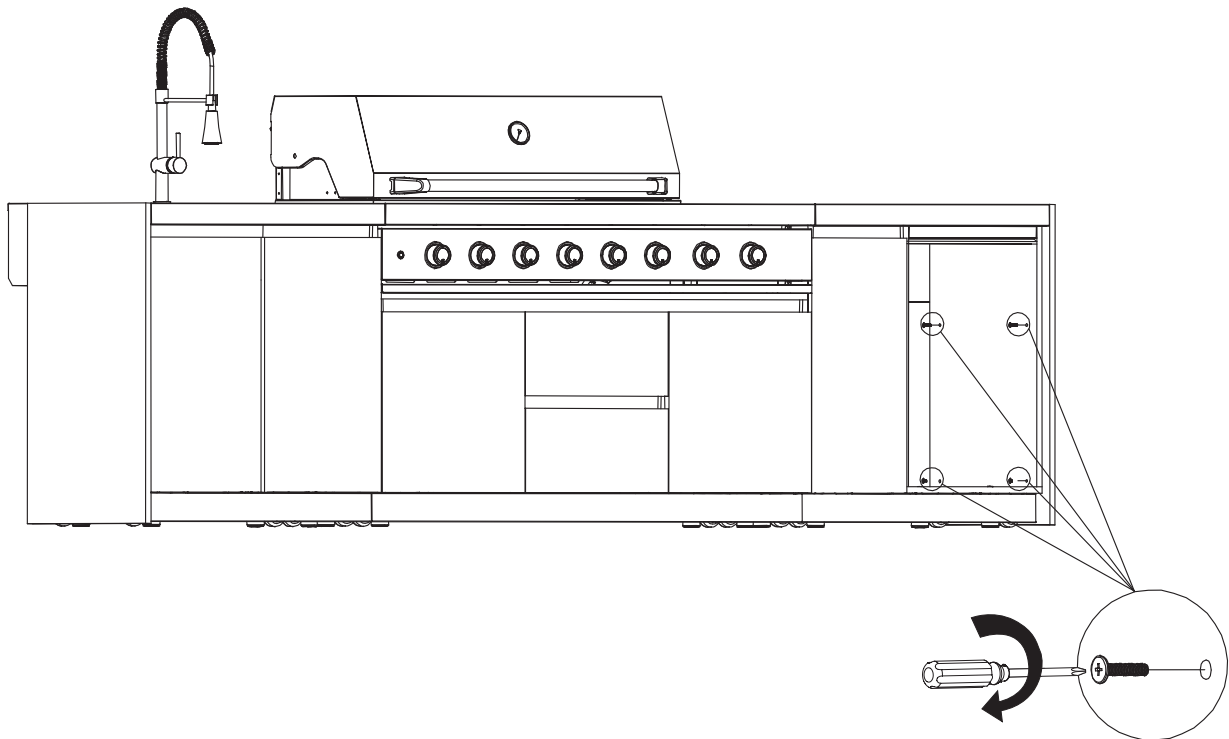
**M4x12mm Screw 4PCS**

- ③ Pressing down and locking into place.





④ Secure the end panel with the M5x25mm screws.

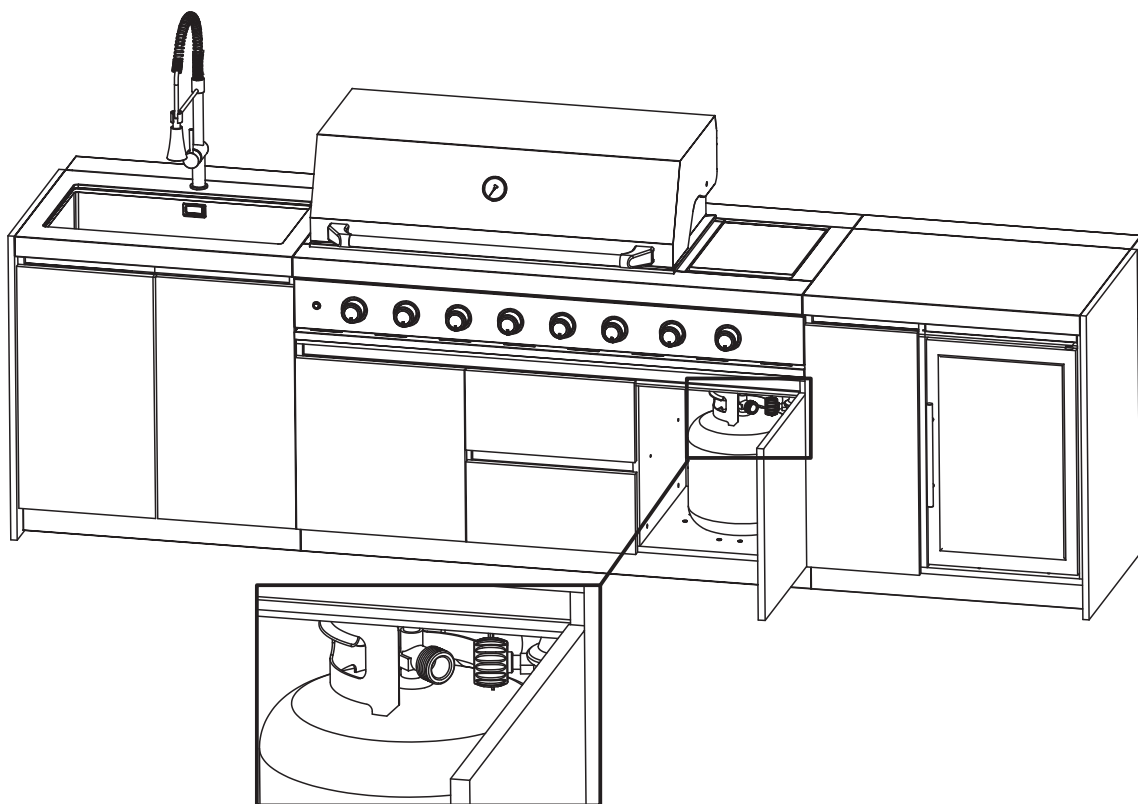


Note: End panels will only be installed on the right and left sides of each kitchen.



**M5x25mm 8PCS**

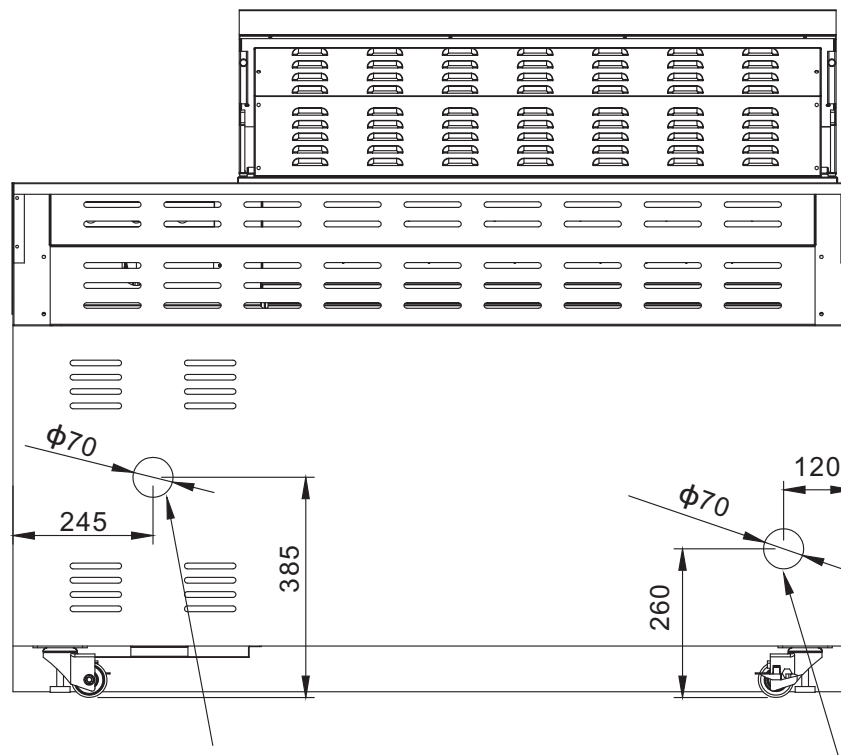
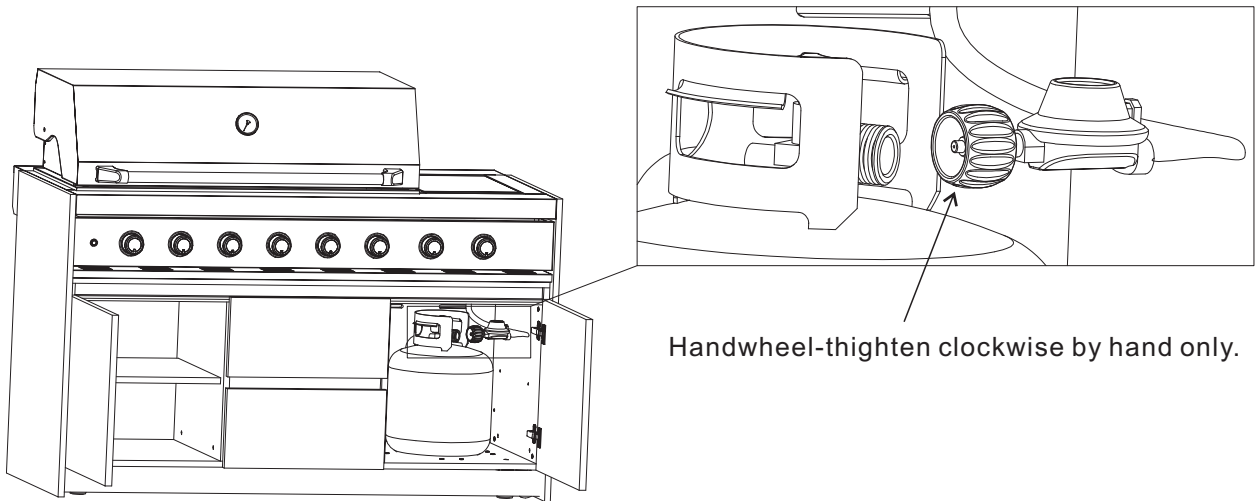
- ⑤ Put the gas bottle in and connect the gas the pressure reduction valve.
- ⑥ Put the fridge in the connect the electricity.



## Step 14

### Connect the gas supply to the bbq.

- ① LPG can be connected by customers
- ② Natural gas **MUST** only be connected by a licensed installer.  
Please note that the Nat Gas valve and hose are not supplied for safety reasons.
- ③ Perform a leak test after installation



Hole for pressure reduction Valve.

Hole for electricity connection.