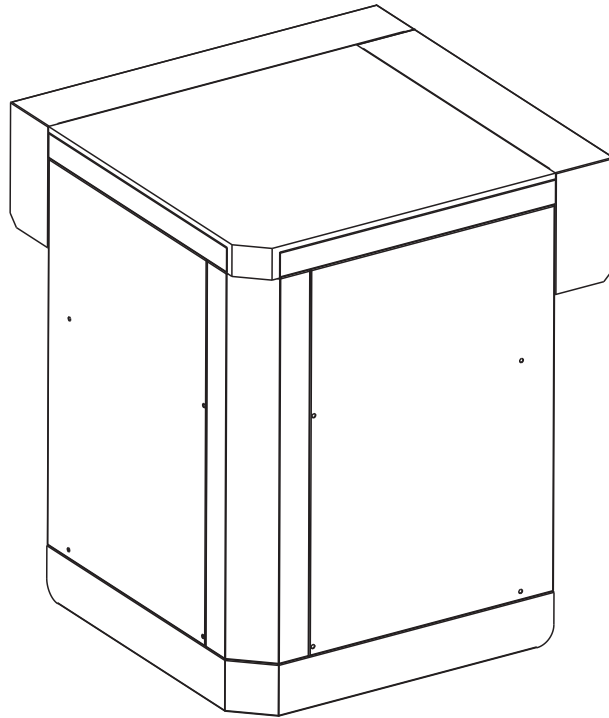




90 Degree Corner Cabinet Assembly Instructions

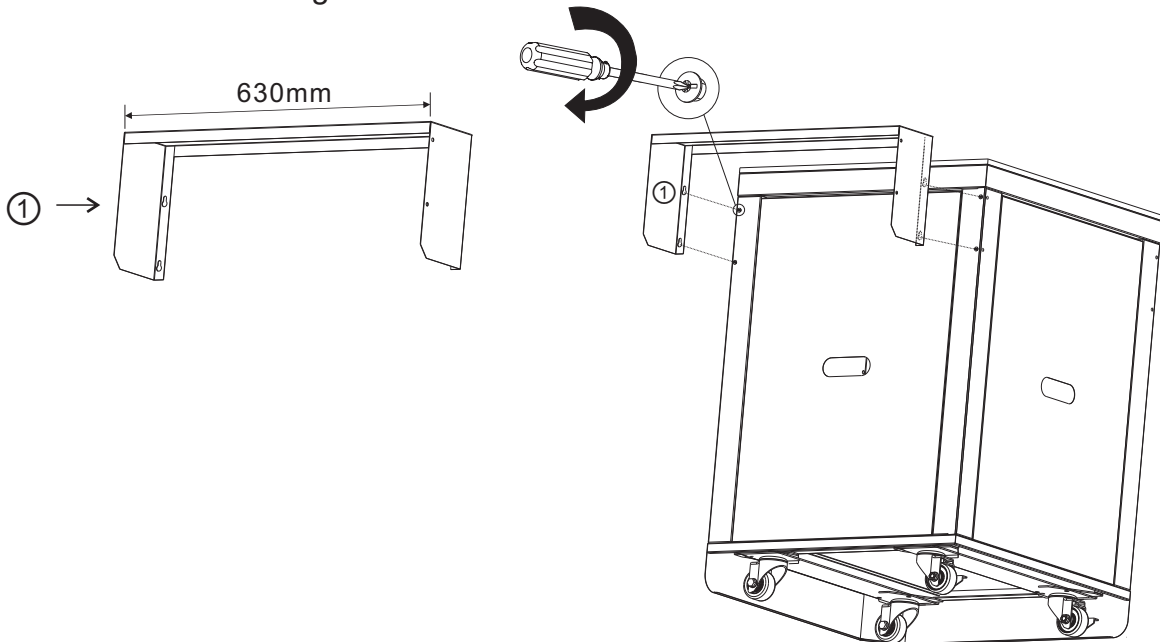


Please read these instructions carefully before the installation or usage process.

Step 1

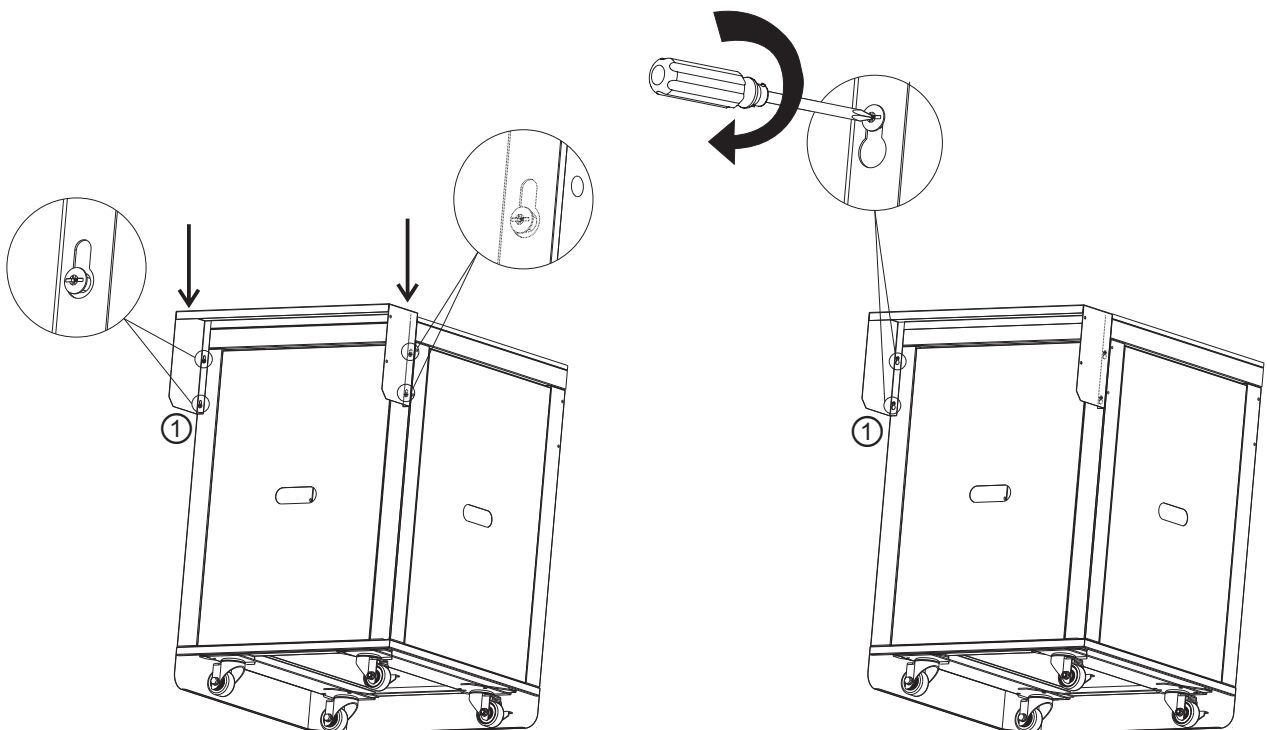
Install the short benchtop extension panel.

- ① Install the extension panel on the back of the BBQ using 4pcs M5x10mm screws but don't tighten them.



M4x10mm 4PCS

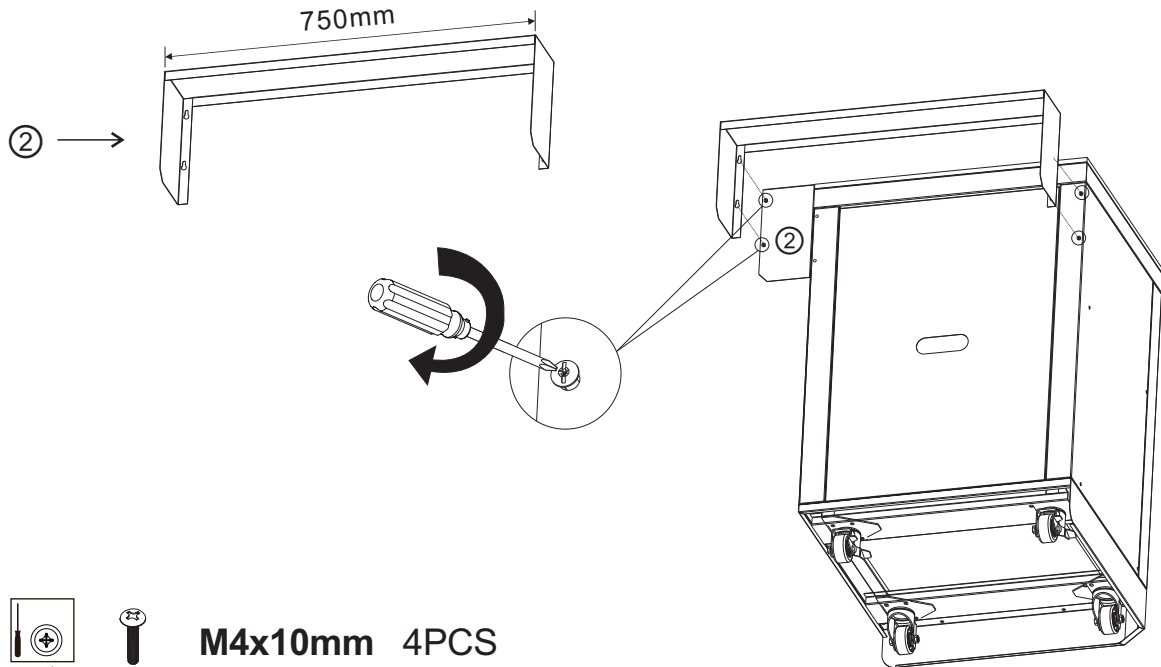
- ② Hang the bench top extension panel on the screws.
- ③ Tighten the screws to secure bench top extension panel.



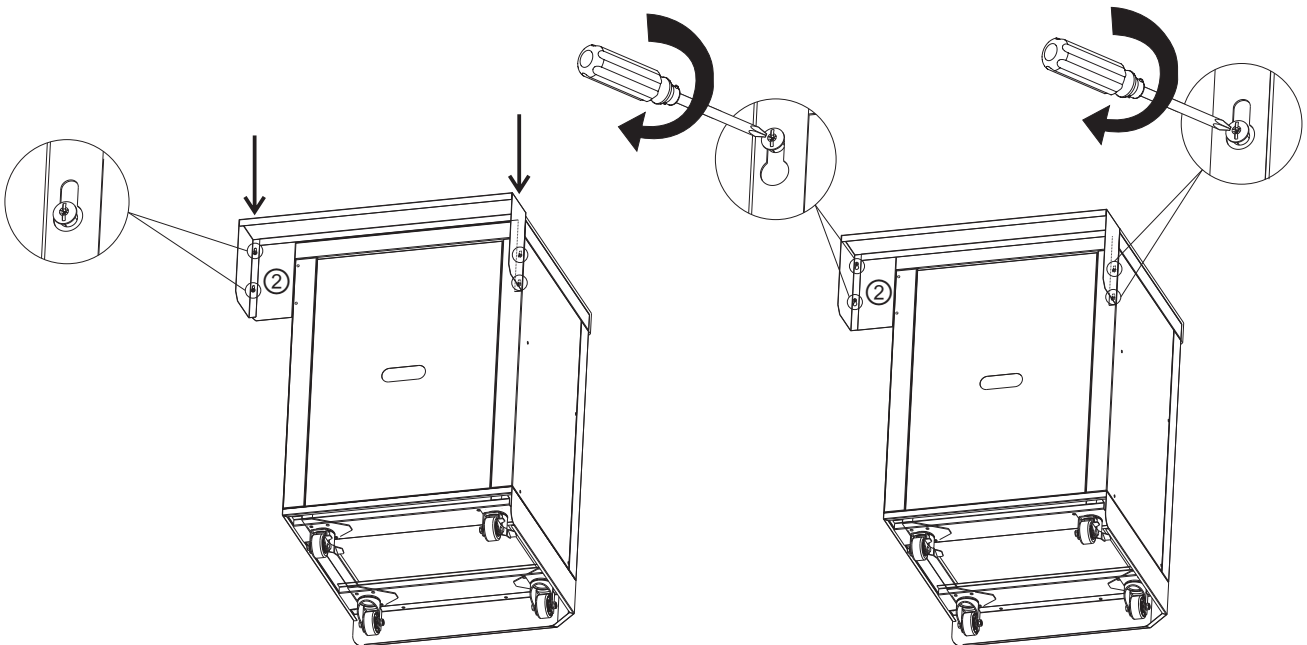
Step 2

Install the long benchtop extension panel.

- ① Install the extension panel on the back of the BBQ using 4pcs M5x10mm screws but don't tighten them.



- ② Hang the bench top extension panel on the screws.
- ③ Tighten the screws to secure bench top extension panel.



Step 3

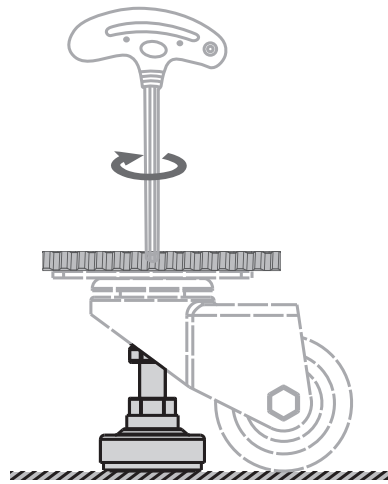
Joining the cabinets together.

- ① Use the allen key(provided) to adjust the legs of other cabinets until the castor wheels are off the ground and all your cabinets are aligned with the height of the fridge cabinet.

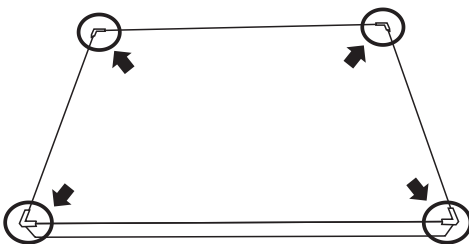


WARNING

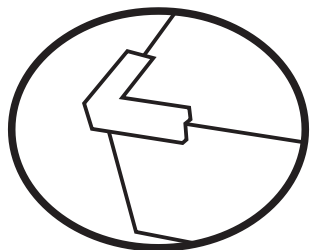
Please adjust the retractable leg and make sure it is securely positioned on the ground after installation.



WARNING ON WORKTOP



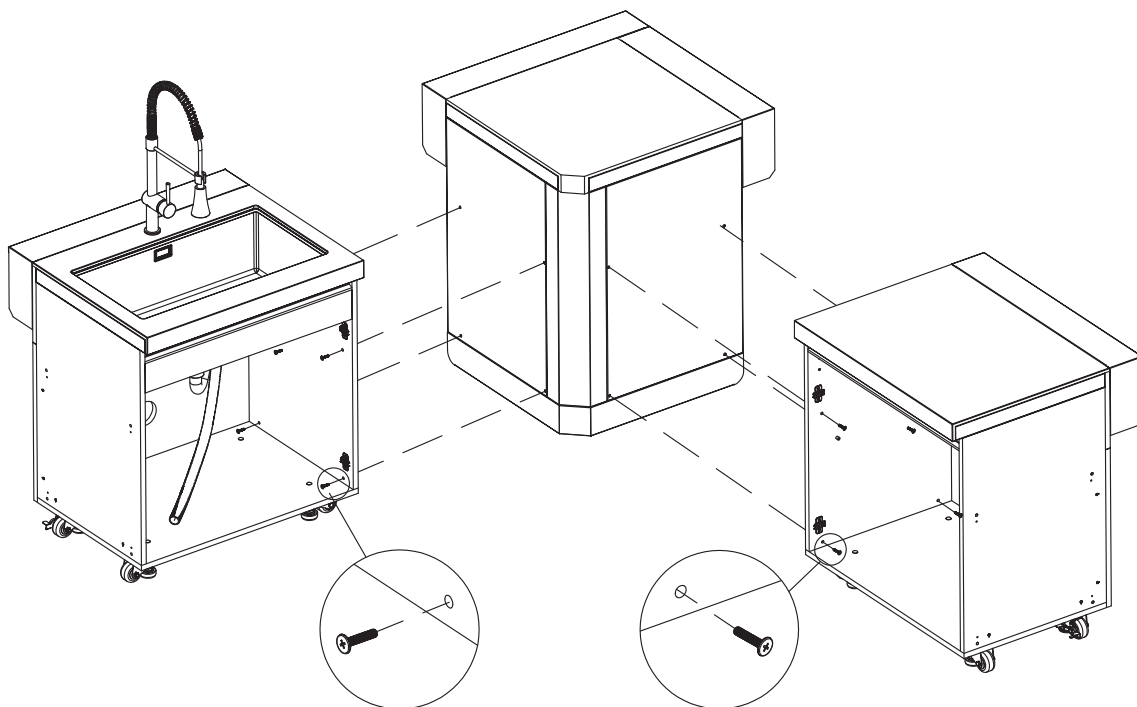
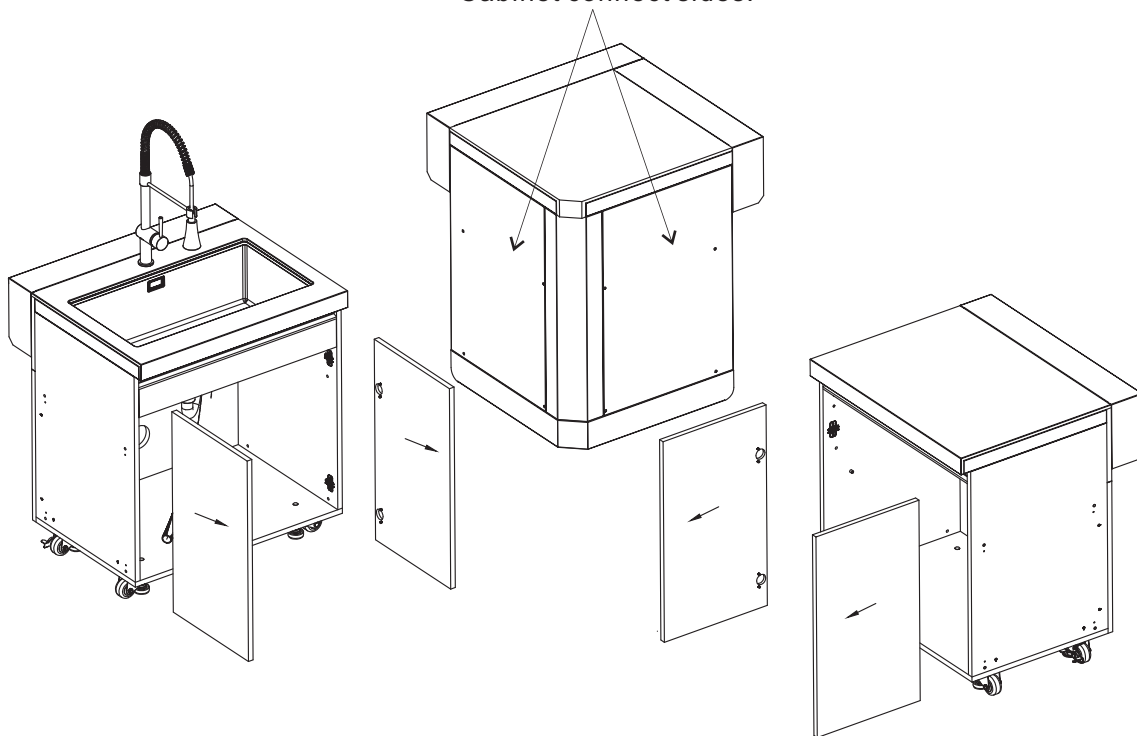
DO NOT
remove the protection corner
before joining each module.



REMOVE
the protection corner only
when you have joined the
modules.

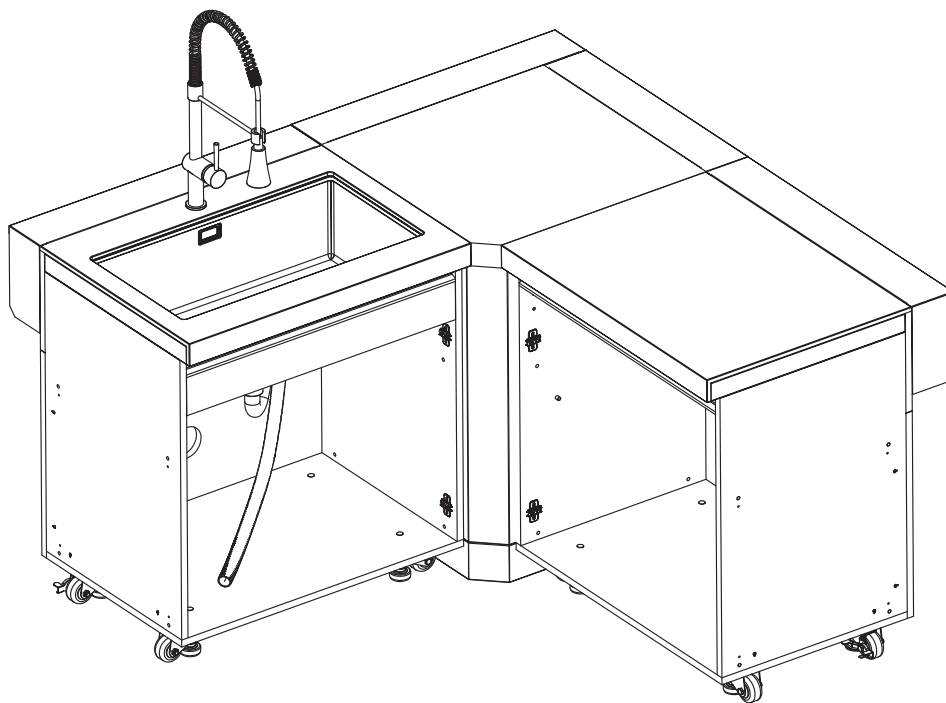
② Remove the doors.

Cabinet connect sides.



M5x25mm 8PCS

③ Connect the cabinets by using 8pcs M5x25mm screws.



④ Re-attach the doors.

