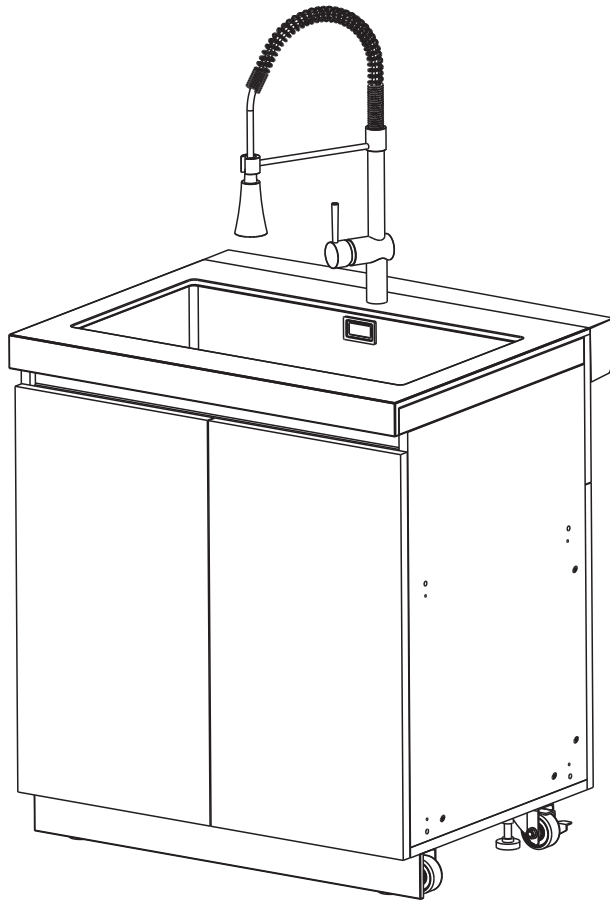




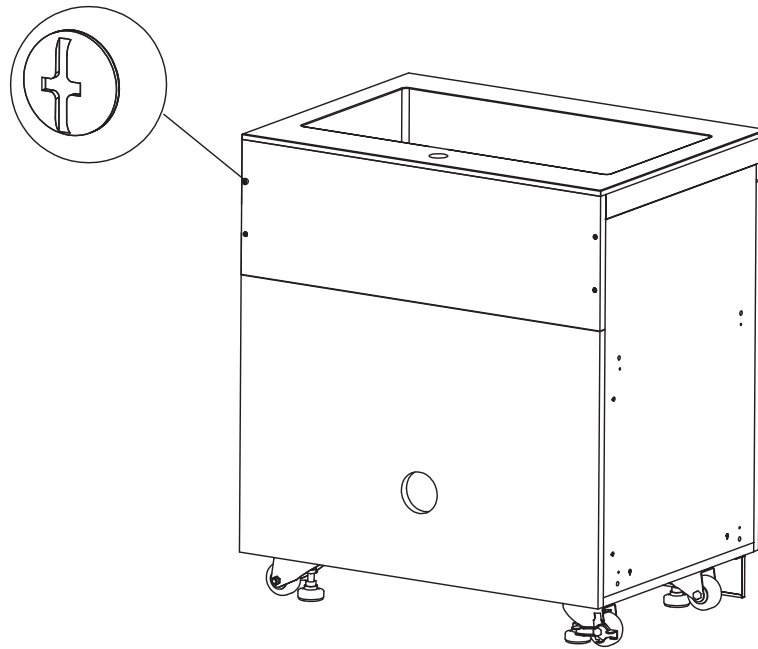
# Sink Cabinet Assembly Instructions



Please read these instructions carefully before the installation or usage process.

## Step 1

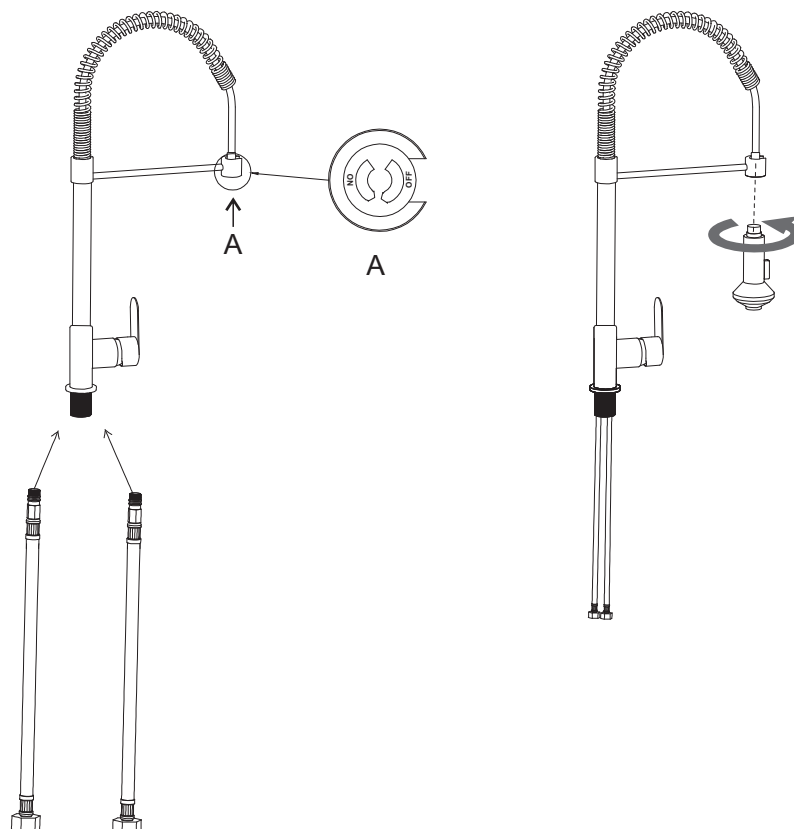
Disassemble the rear panel.



## Step 2

Install the tap.

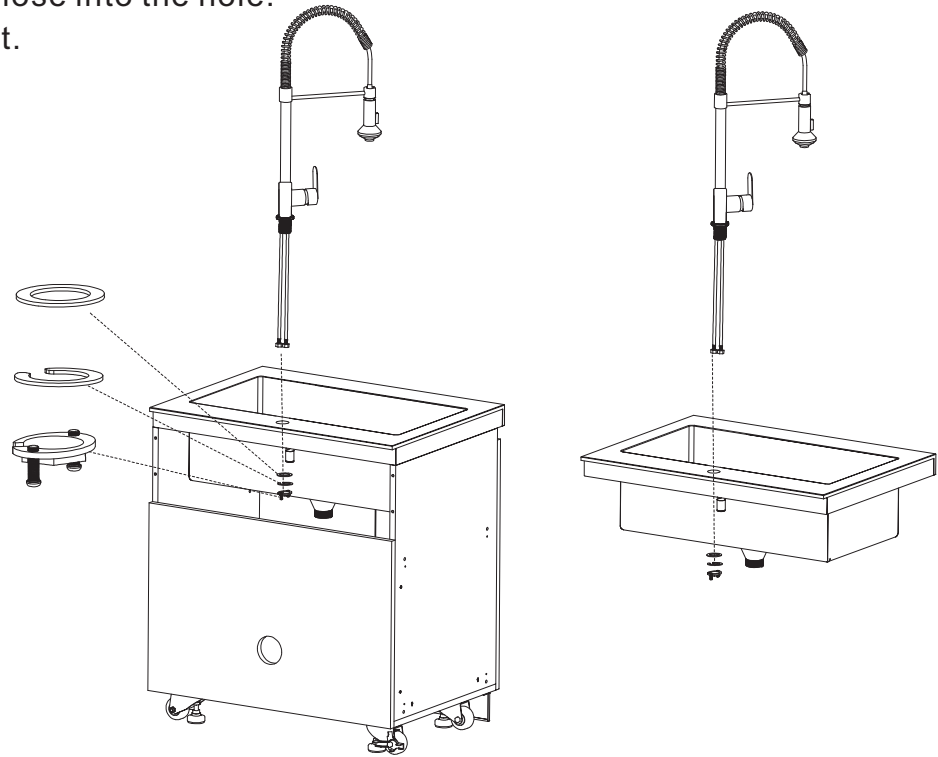
- ① Turn the tap joint cover toward the direction of "No" to remove it.
- ② Turn clockwise to tighten the tap.



## Step 3

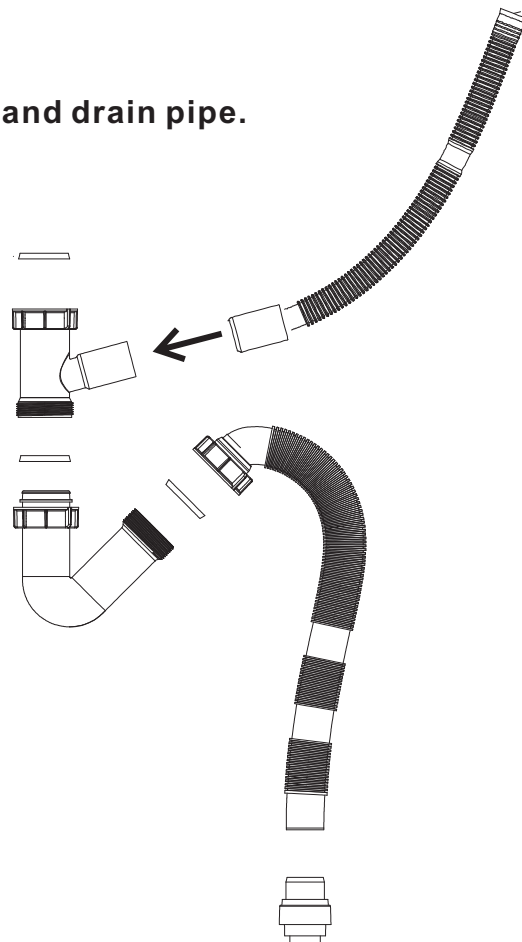
Install the pipe.

- ① Arrange the rubber and metal washers in order.
- ② Insert the tap hose into the hole.
- ③ Tighten the nut.



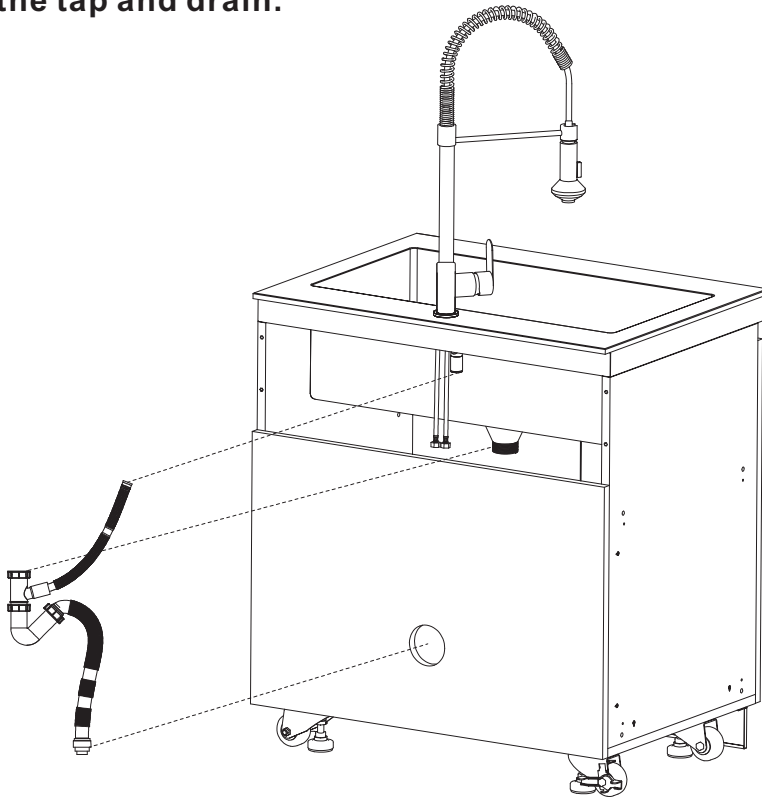
## Step 4

Assemble the joints with tap pipe and drain pipe.



## Step 5

Hook up the tap and drain.

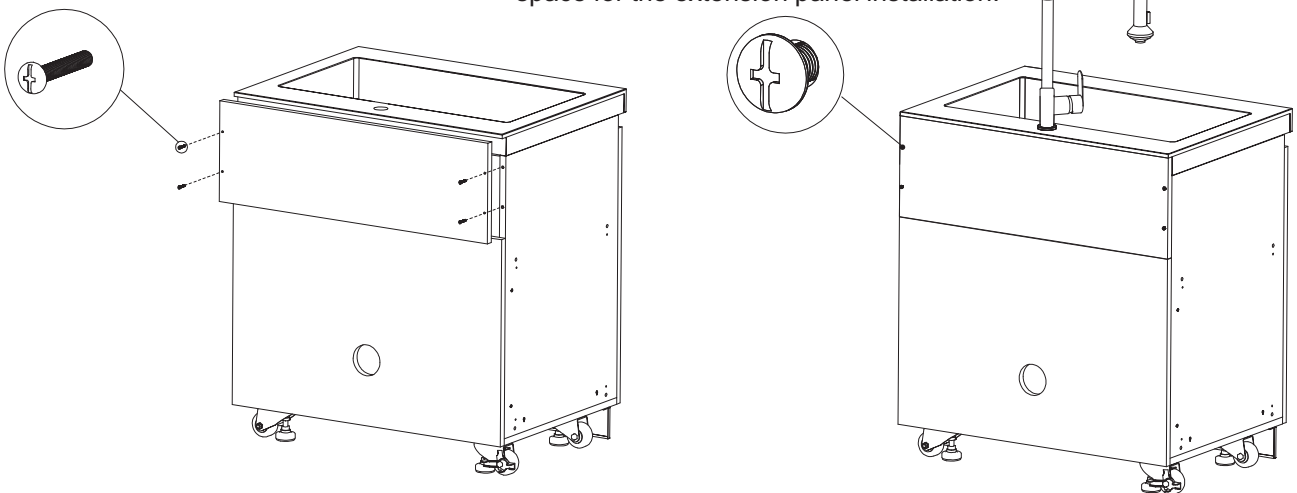


## Step 6

Install the extension panel.

**Note:**

Don't tighten the screws and reserve some space for the extension panel installation.

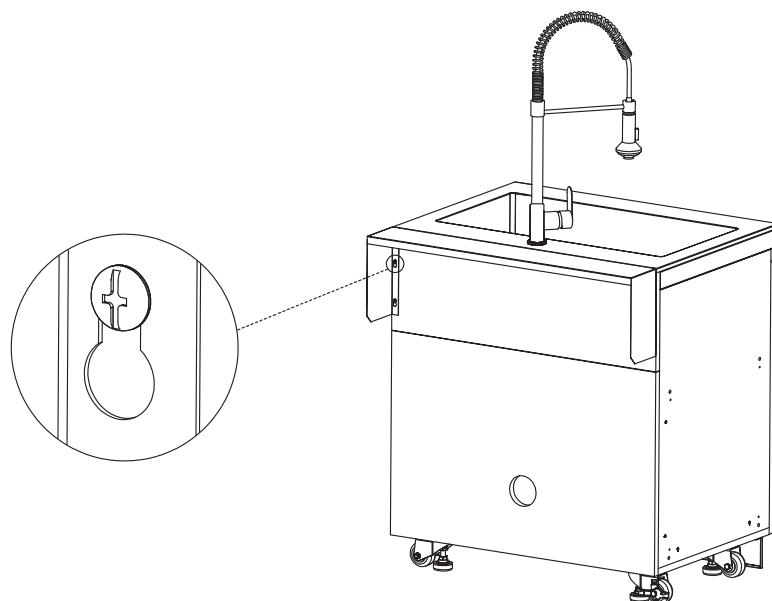
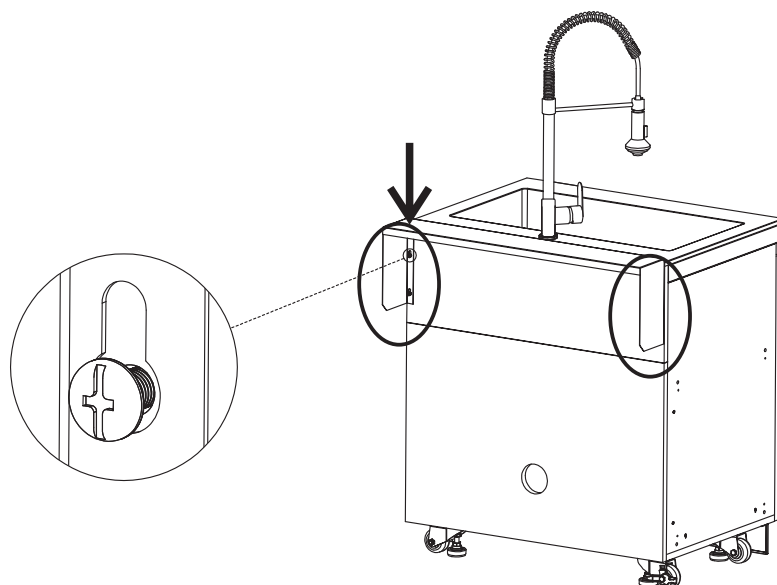
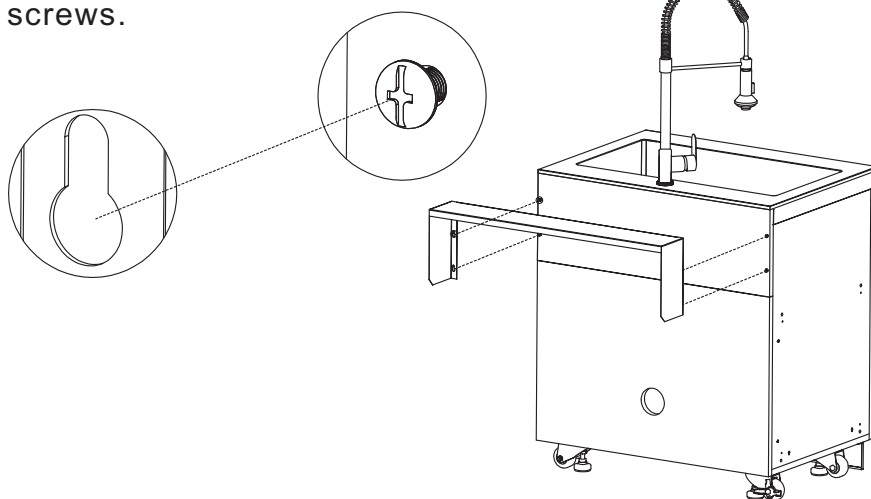


**M4x25mm 4PCS**

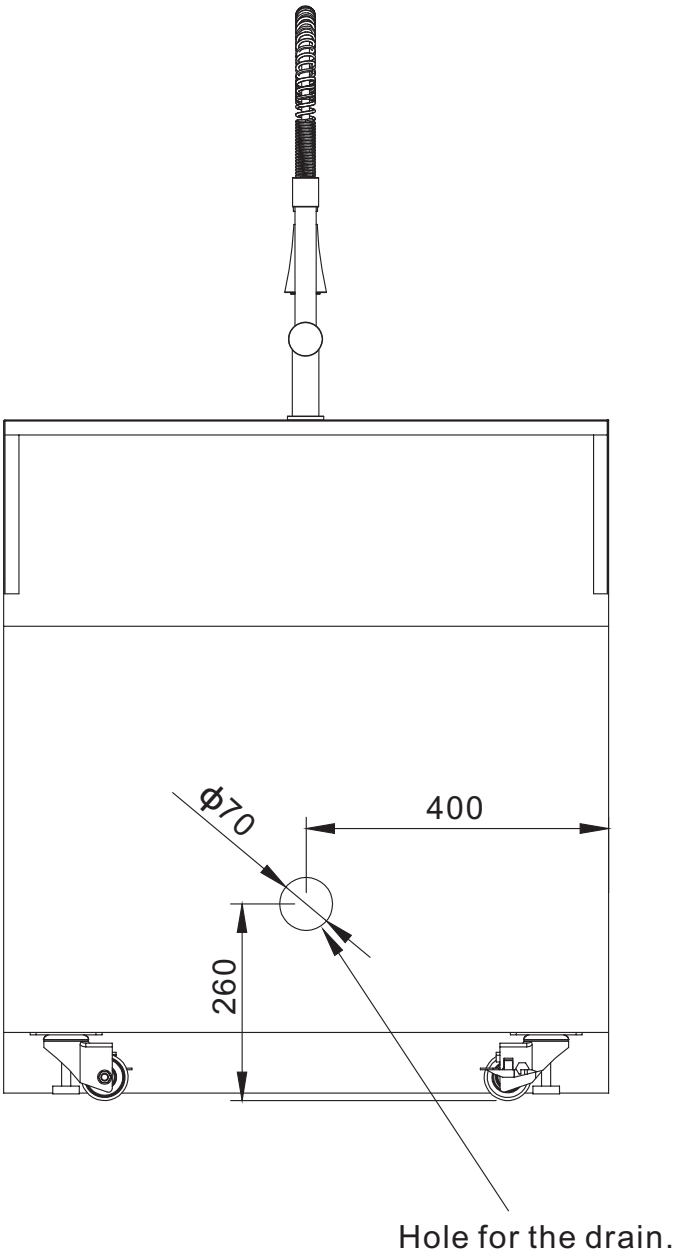
## Step 7

### Install the extension panel.

- ① Hang the extension panel on the screws.
- ② Tight the screws.



**Step 8**



## Step 9

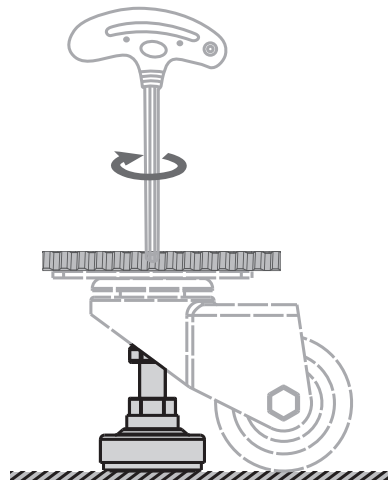
### Joining the cabinets together.

- ① Adjust all cabinets to be aligned with the height of the fridge cabinet.  
(if you have included a fridge cabinet in the design of your kitchen)

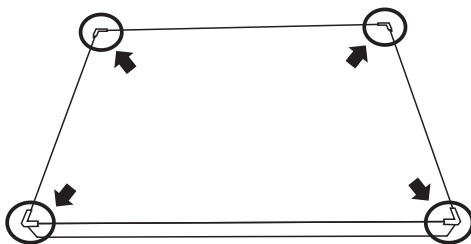


## WARNING

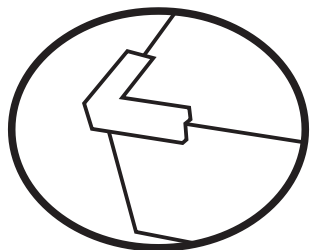
Please adjust the retractable leg and make sure it is securely positioned on the ground after installation.



## WARNING ON WORKTOP



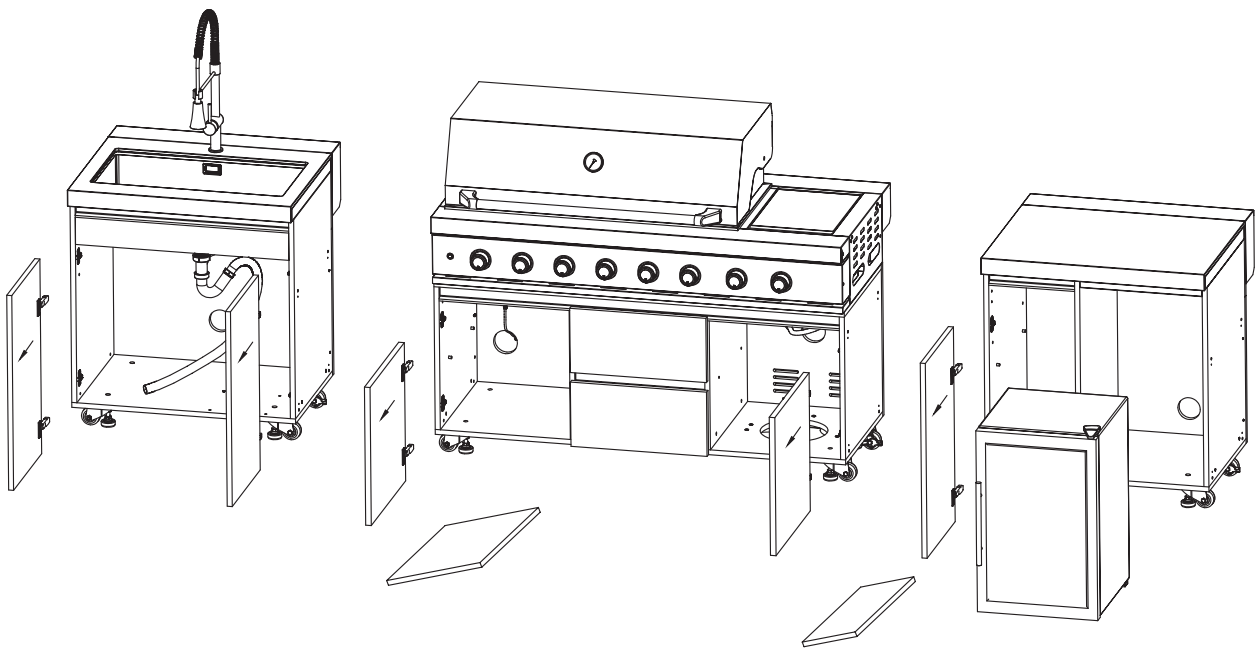
**DO NOT**  
remove the protection corner  
before joining each module.



**REMOVE**  
the protection corner only  
when you have joined the  
modules.

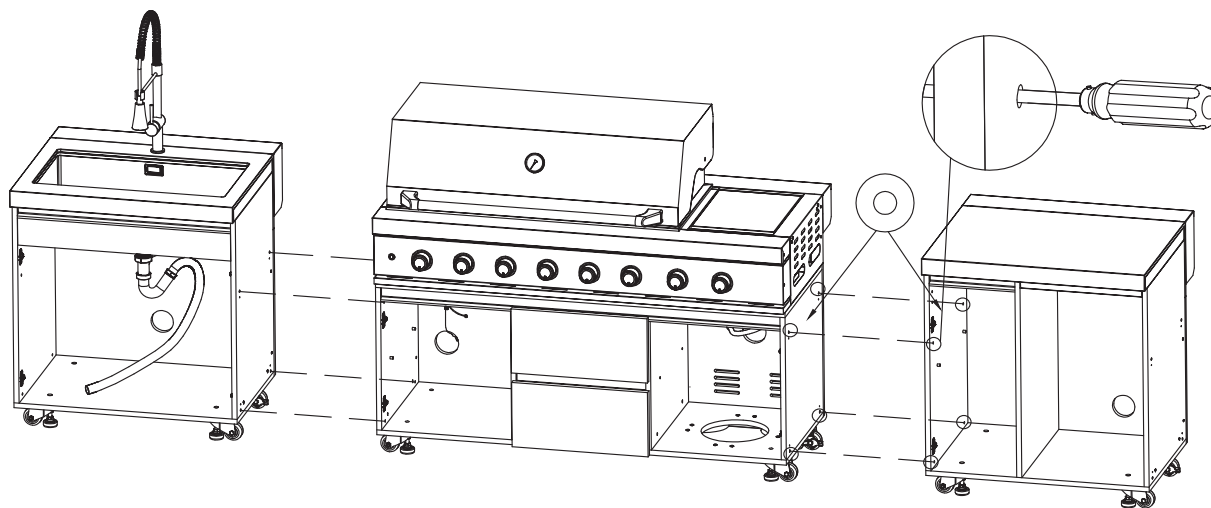


- ② Remove the doors of the cabinets will be connected with the fridge cabinet, by releasing the hinge using the clip at the back. Take out the shelves and the fridge.

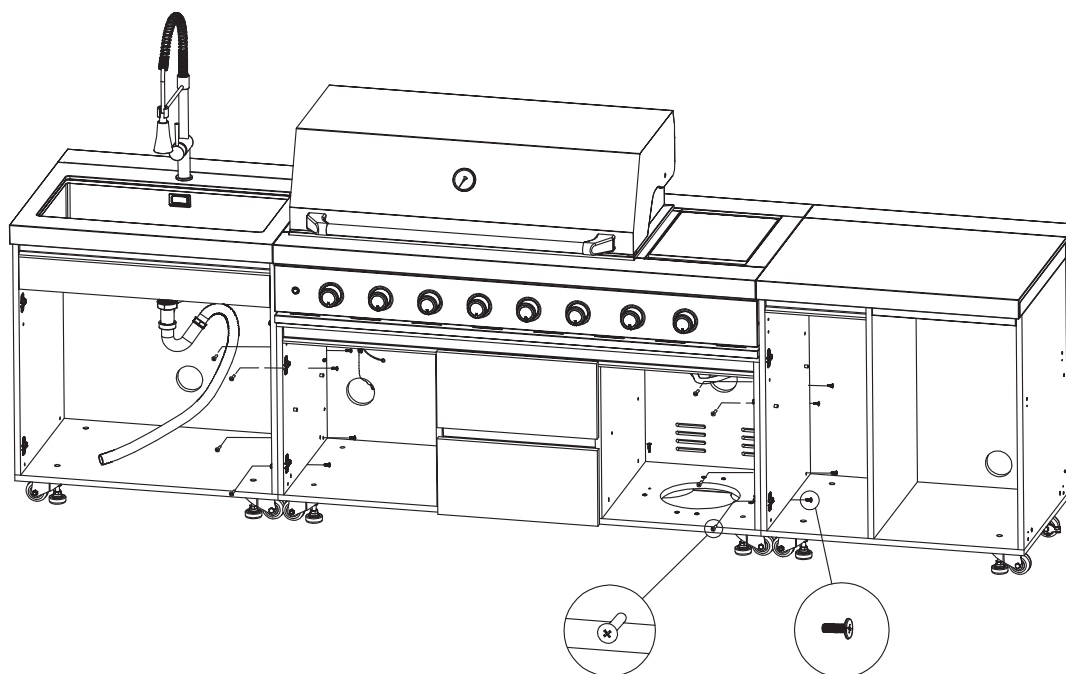


Note: Double door floor cabinet and sink cabinet follow the same cabinet connection instructions.

- ③ Insert a screwdriver through the upper left connection holes.
- ④ Firstly connect the cabinets using the lower left connection holes with 1pc cabinet connection screw.

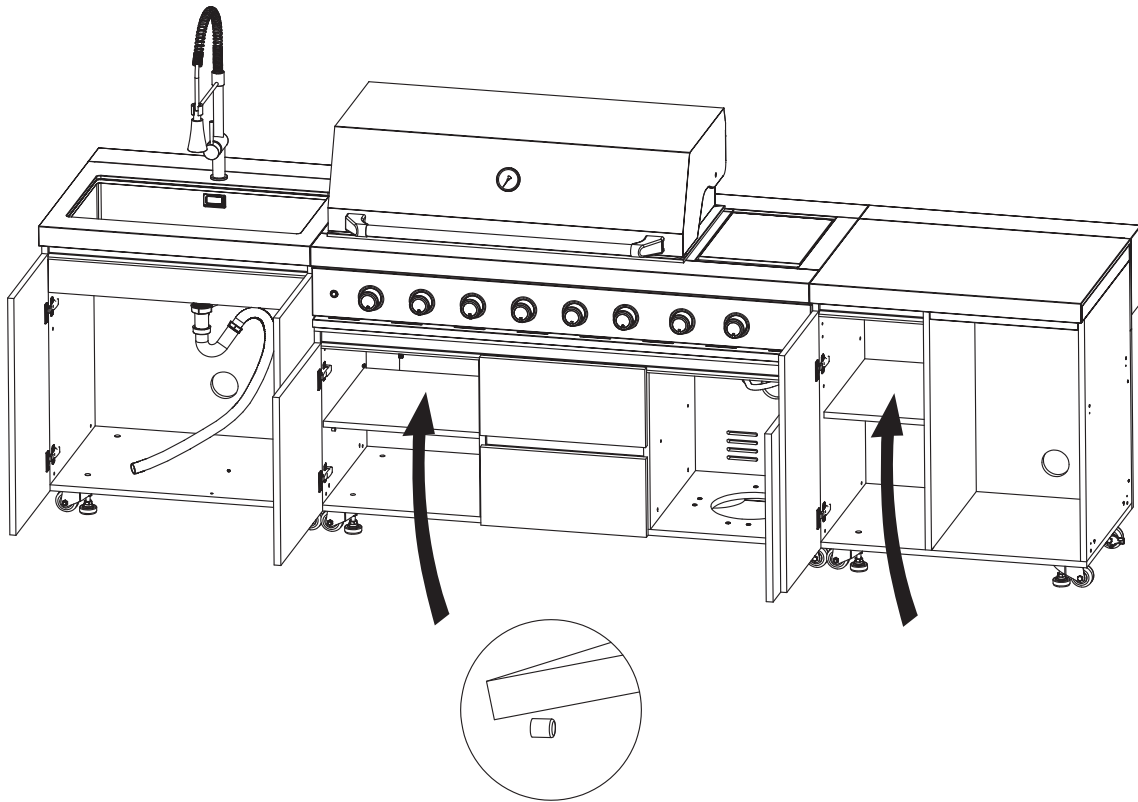


- 
- ⑤ Install the other 3 connection points with Cabinet connection screws.



**M5x25mm 8PCS**

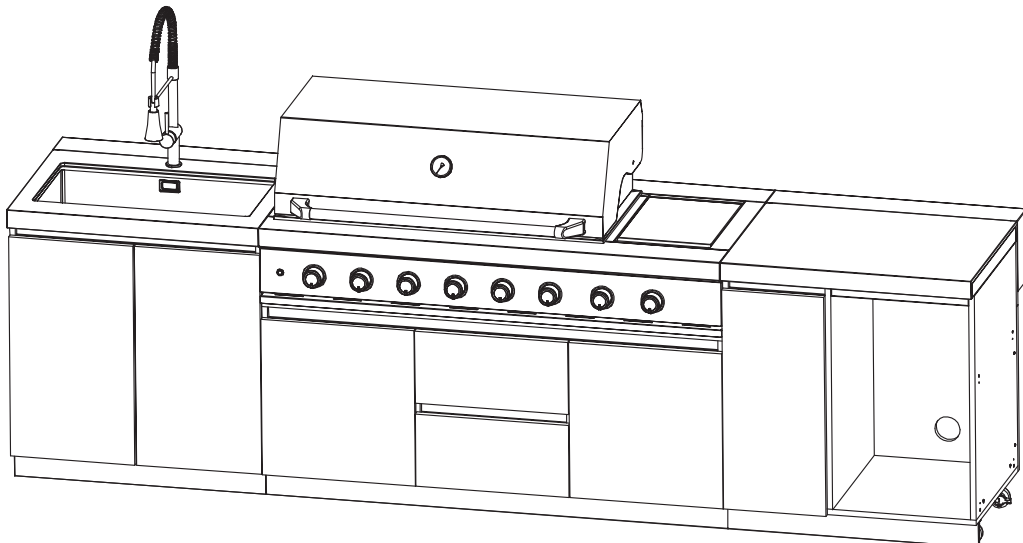
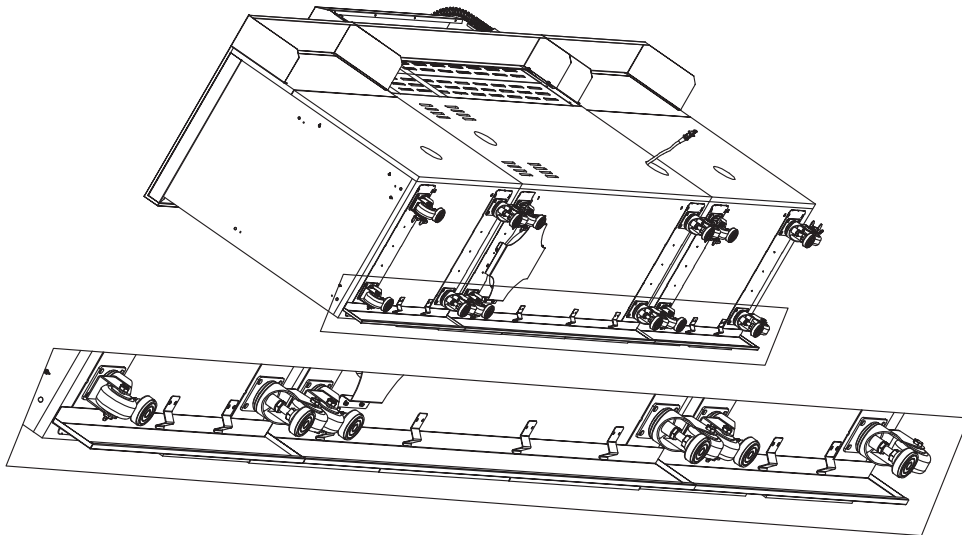
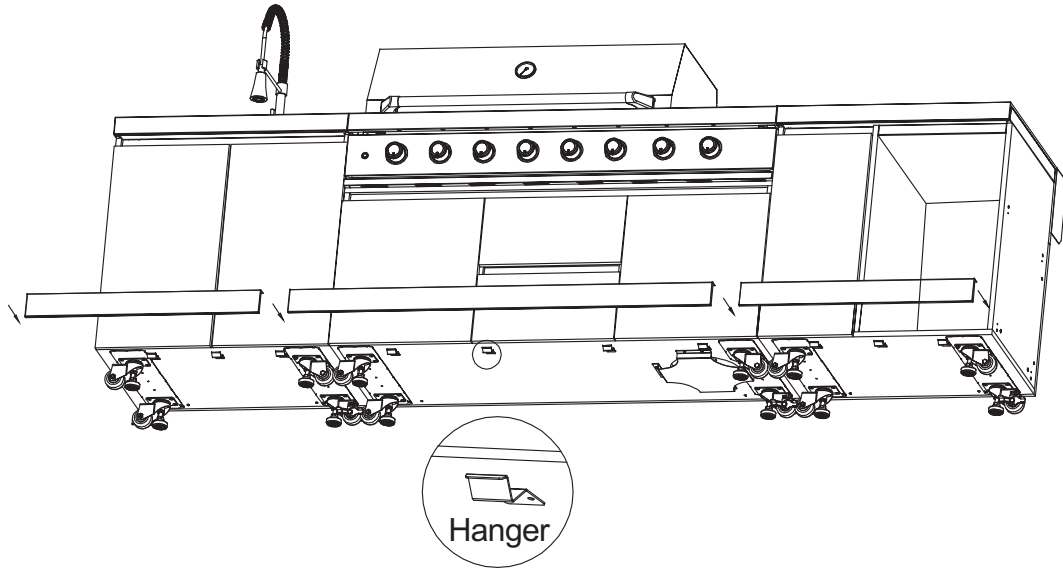
⑥ Place shelves into the cabinet and secure, Re-attach the doors.



Put the shelves on the shelf clips.

## Step 10

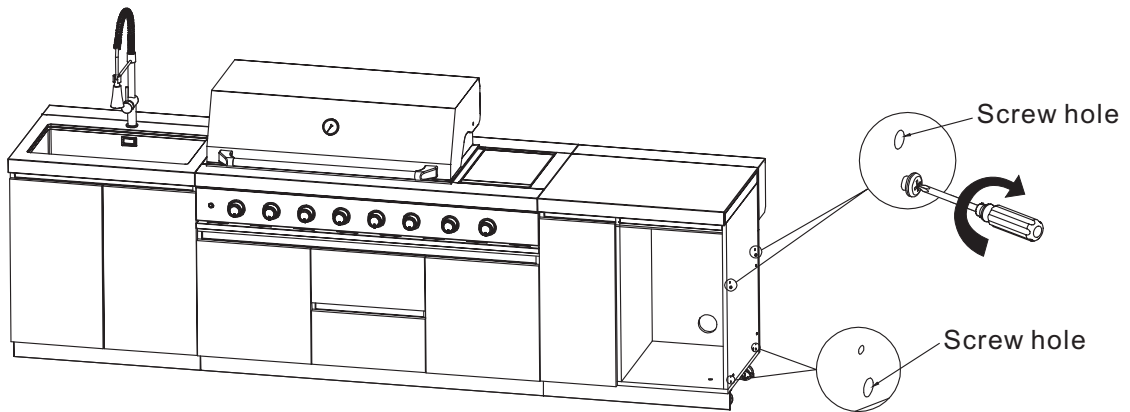
**Install the kick-boards.**  
Hang the kick-boards on the hanger.



## Step 11

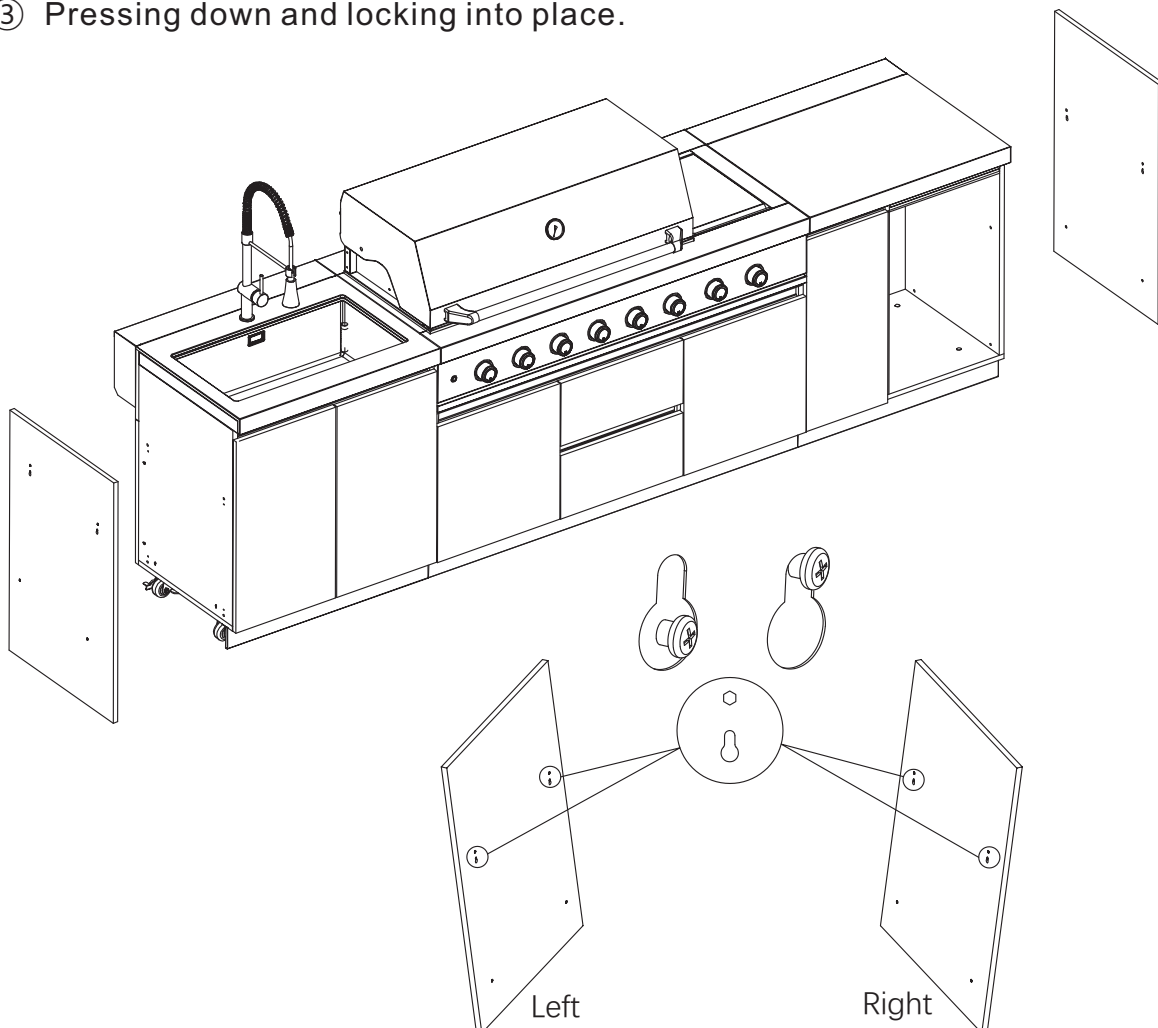
### Install the End Panel.

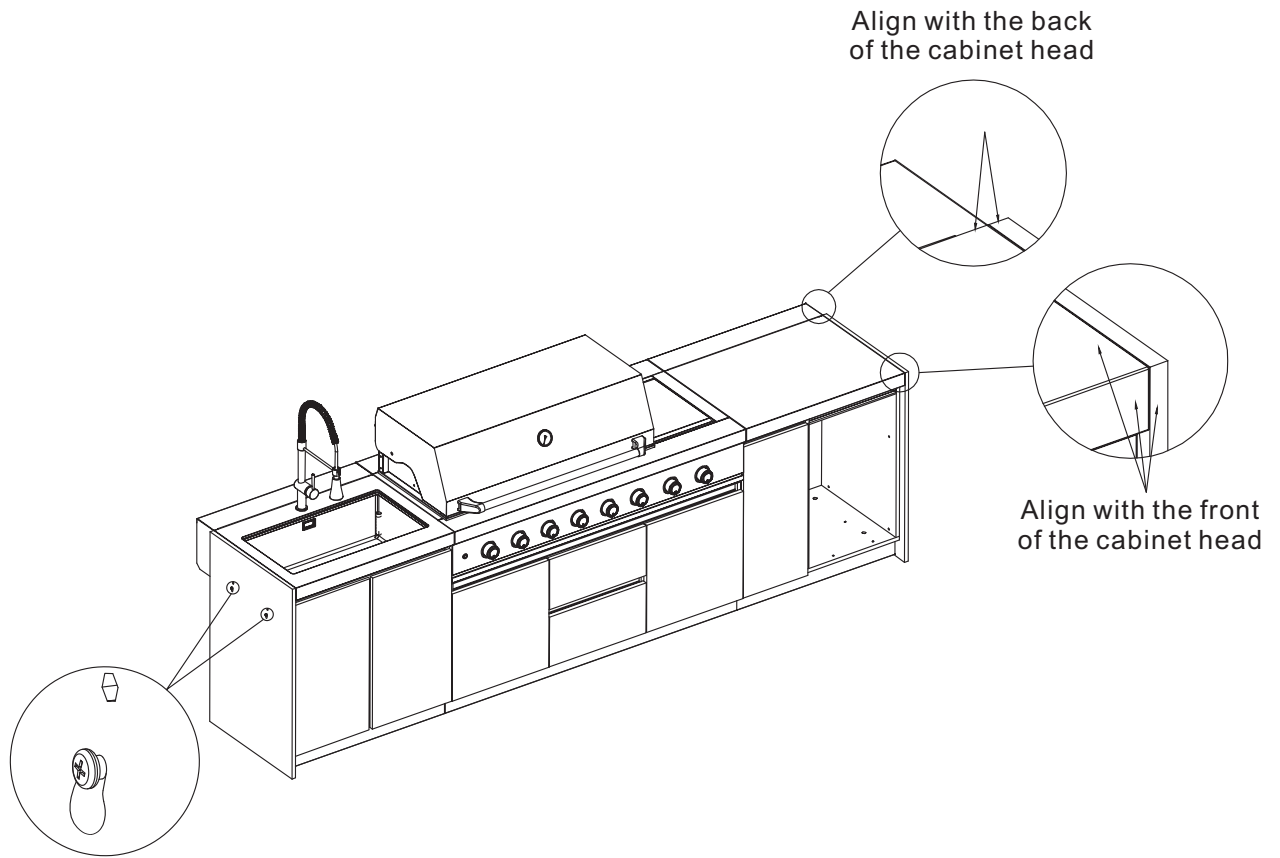
- ① Insert 4pcs M4x12mm screws.
- ② Hang the end panel over the M4x12mm screw.



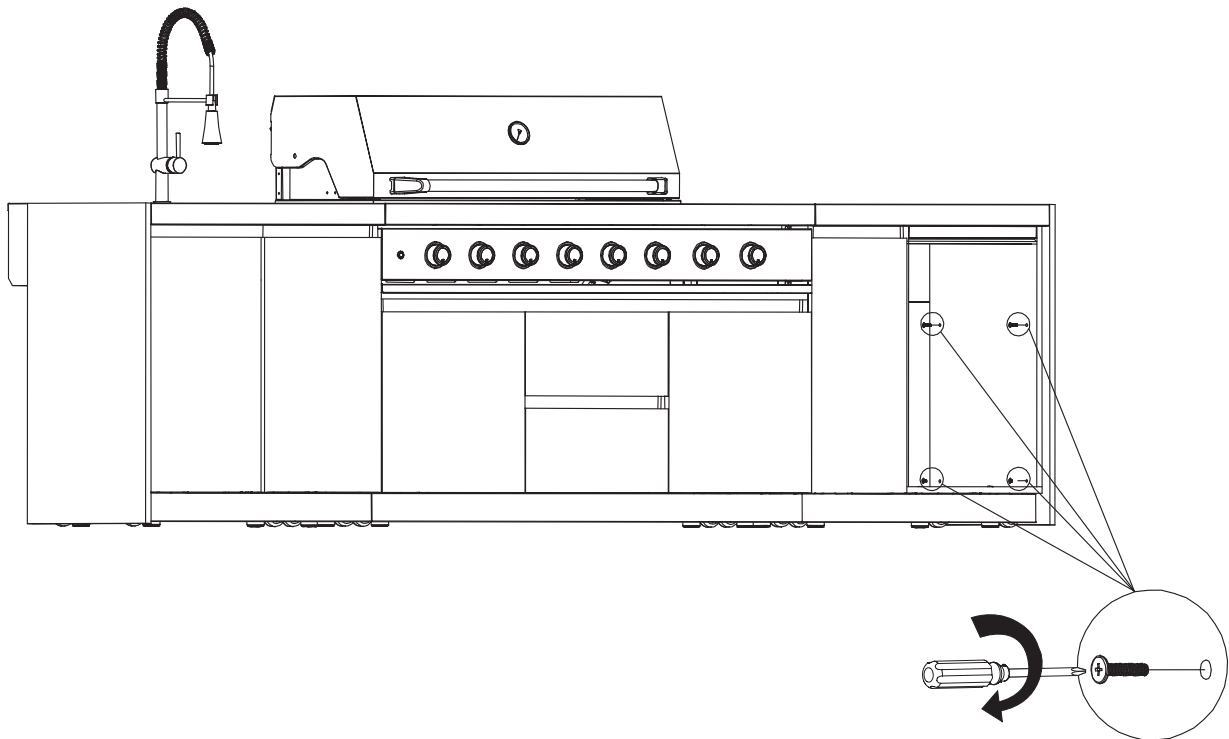
**M4x12mm Screw 4PCS**

- ③ Pressing down and locking into place.





④ Secure the end panel with the M5x25mm screws.



Note: End panels will only be installed on the right and left sides of each kitchen.



**M5x25mm 8PCS**

- ⑤ Put the gas bottle in and connect the gas the pressure reduction valve.
- ⑥ Put the fridge in the connect the electricity.

