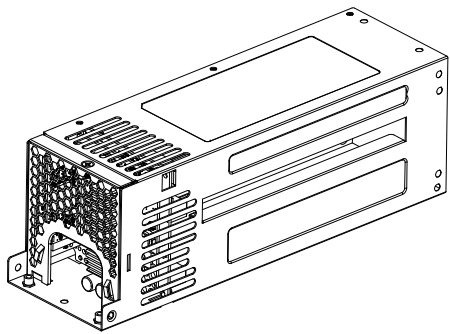
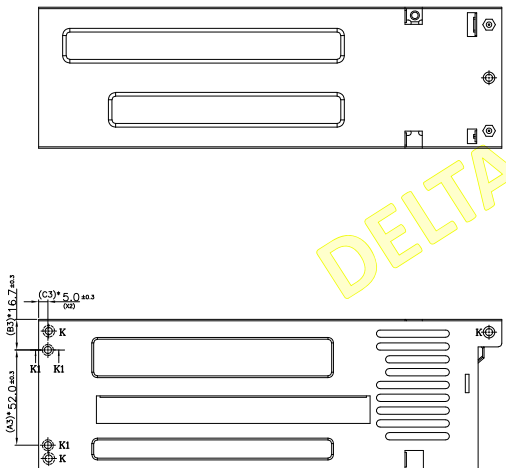
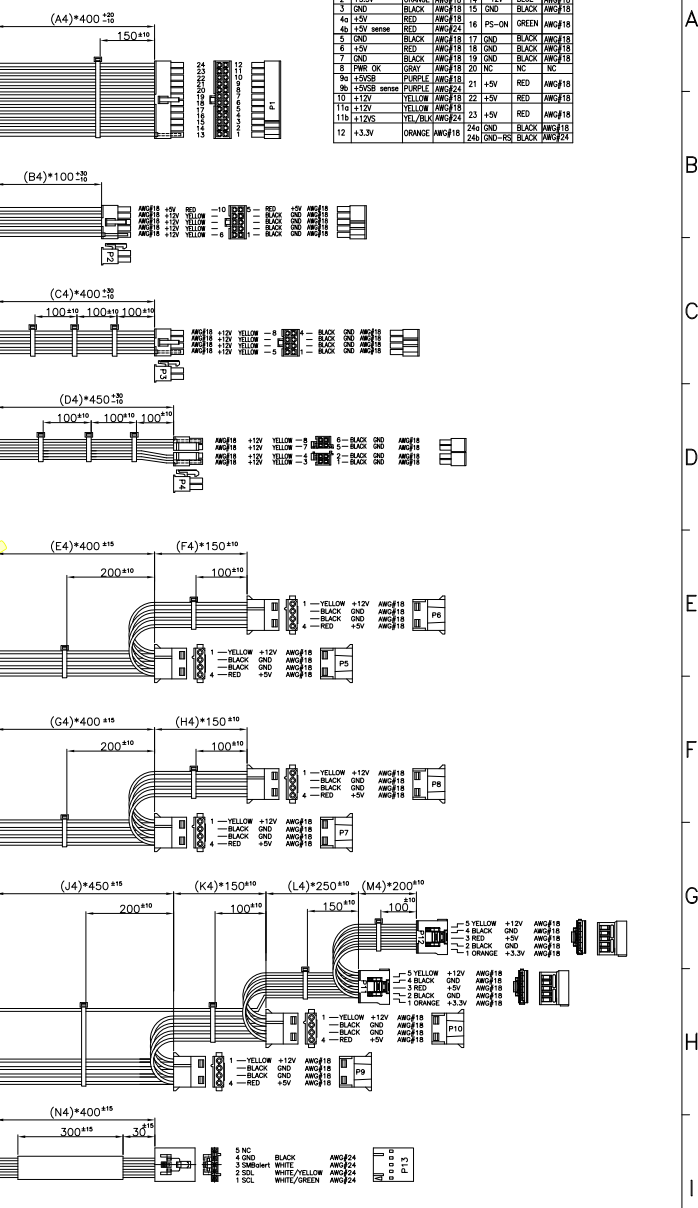


CONNECTOR	HOUSING	TERMINAL	COVER
P1	JWT C4202H00-2*12P	JWT C4202TOP-2	COVER
	WST P24-I42002Z	WST I42002PS-2	
	MOLEX 39-01-2245	MOLEX 39-00-0059	
	YNI H6657-024M ZHIDA P20-ZD4202HW	YNI T6656-72F ZHIDA ZD4202TOP-2L JWT C4202T2P-2C-HCS WST I42002KS-2# MOLEX 44476-1111 YNI 4200P-01 ZHIDA ZD4202TOPH-2L	
OR APPROVED EQUIVALENT			
P2	YNI H6657-010M	YNI 4200P-01	
	MOLEX 39-01-2105	MOLEX 44476-1111	
	JWT C4202H00-2*5P	JWT C4202T2P-2E-HCS	
	WST P10-I42002Z ZHIDA P10-ZD4202HW	WST I42002KS-2# ZHIDA ZD4202TOPH-2L	
OR APPROVED EQUIVALENT			
P3	YNI H6657-008M	YNI 4200P-01	
	MOLEX 39-01-2085	MOLEX 44476-1111	
	JWT C4202H00-2*4P	JWT C4202T2P-2E-HCS	
	WST P8-I42002Z ZHIDA P8-ZD4202HW	WST I42002KS-2# ZHIDA ZD4202TOPH-2L	
OR APPROVED EQUIVALENT			
P4	WST P4-I42002K3Z &P4-I42002K4Z	WST I42002KS-2#	
	OR APPROVED EQUIVALENT		
P5,P6 P7,P8 P9,P10	YNI H6680-0M	YNI T6680-76F	
	CAROL CL5080H00-4P	CAROL CL5080T2P2	
	JWT C5082H00-4P	JWT C5083T2P-2	
	WST P4-A102002Z ZHIDA P4-ZD5082HW	WST A102002S-2# ZHIDA ZD5082TOP-3L YNI T6680-75F CAROL CL5050TOP-2 JWT C5083TOP-2 WST A102002PS-2 ZHIDA ZD5082TOP-3H	
OR APPROVED EQUIVALENT			
P11,P12	WST P5-I12716F-B YNI H6672-1BL	WST I12716PS-00M# YNI T6672-96S WST I12716PS-00L# YNI T6672-94S	
	OR APPROVED EQUIVALENT		
P13	MOLEX 50-57-9405 JWT A2547H00-ASP	MOLEX 16-02-0088 JWT A2547TOP-2	
	OR APPROVED EQUIVALENT		



DC OUTPUT CABLE



		P1	
1	+3.3V	ORANGE	AWG#18
2	+3.3V	ORANGE	AWG#18
3	GND	BLACK	AWG#18
4	+5V	RED	AWG#18
5	GND	BLACK	AWG#18
6	+5V	RED	AWG#18
7	GND	BLACK	AWG#18
8	5VSB OK	ORANGE	AWG#18
9	+5VSB	PURPLE	AWG#18
10	+12V	YELLOW	AWG#18
11	+12V	YELLOW	AWG#18
12	+3.3V	ORANGE	AWG#18

DELTA CONFIDENTIAL

**DELTA** 台達電子工業股份有限公司  
DELTA ELECTRONICS, INC.

Drawn: 李桂香 02/26/22  
Design: 賈晓东 02/26/22

THIRD ANGLE PROJECTION

Description: **PHYSICAL DIMENSIONS OF POWER SUPPLY**

Part No. **PD-171 G**

SCALE: UNIT: MM USED ON: AC-171 G

SHEET 1 OF 1 ISSUE DATE: 02/26/22