

Key Feature

- Dual camera, 2M pixels, RGB/IR light, support face recognition.
- 7-inch TFT LCD screen, touch screen.
- Support standard SIP.
- Support anti-fog technology for camera lenses
- Support Palm vein recognition.
- Support under-screen card swiping.
- Support human detection.
- Support IC card, Pin code, QR code, face recognition and remote unlock by APP.
- Support visitor reservation by APP.
- Support video intercom with APP and monitor video by APP.
- Support configuration via web.



Specification

System parameters

Operation system	Andorid system
Flash	2 GB
RAM	8 GB

Display parameters

Size	7-inch
Operation Method	Capacitive Touch
Resolution	600 x 1024

Video parameters

Video Encoding	H.264
Camera Pixels	2.0 million pixels
Angle of View	110°(H) / 60°(V)
Light Compensation	White Light & IR Light

Audio parameters

Audio Encoding	G.711 MU
Speaker	Built-in loudspeaker
Microphone	-56±2dB

Capacity

IC Card & CPU Card	50K
QR Code	50K
Pin Code	10K
Face Recognition	50K
Palm vein recognition	10K

Network parameters

Protocol	TCP/IP, HTTP, UDP, RTP, DNS, SIP, RTSP
----------	--

Device interfaces

Net Port	RJ45
RS485	1
Relay Outputs	1
Door magnetism Port	1
12V Out Port	Reserved
Lock Release Port	1
Fire Detector Port	1
Wiegand Port	Reserved

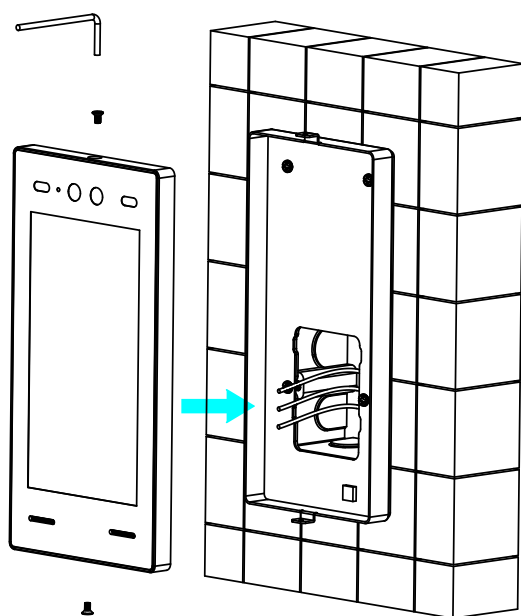
General

Installation	Flush or Wall Mounting
Color	Black
Dimensions	115×243×26.3 mm
Working Temperature	-40°C ~ +70°C
Storage Temperature	-40°C ~ +70°C
Power	DC12 ~ 24V±10%
IP/IK Level	IP65 / IK07
Standby Power Consumption	5W
Max Power Consumption	11W

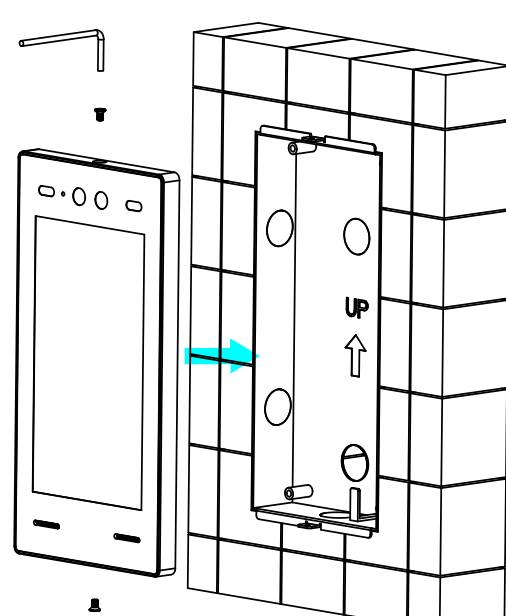
Ordering Information

Model	Description
EHS-OS-M35-ENB2	M35 Outdoor Station (7", Touch Screen, IC, Palm Vein, Black)

Installation



Wall mounting



Flush mounting

Application

- Villas
- Apartment complexes