

品质卓越的LED户外驱动专业品牌

Excellent quality LED outdoor driver professional brand

Richmat 豪江

股票名称：豪江智能

股票代码：301320

RICHMAT POWER LED DRIVER PRODUCT MANUAL

豪江LED驱动电源 产品手册

中国·深圳 (ShenZhen·China)

DESIGNED BY RICHMAT

Richmat 豪江

深圳豪江电源科技有限公司

Shenzhen Richmat Power Technology Co., Ltd

官网/WED: www.richmatpower.com

电话/TEL: 532-8906-6999

邮箱/EMAIL: ysl@richmat.com

传真/FAX: 532-8859-7298

地址：深圳市宝安区航城街道航城智谷中城未来产业园1栋6层603

ADD: 603, Floor 6, Building 1, Hangcheng Zhigu Zhongcheng Future Industrial Park,
Hangcheng Street, Baoan District, Shenzhen

华北地区 / North China

联系人/CONTACT : 叶先生 /Mr. Ye

电话/TEL : 181 2369 7750

邮箱/EMAIL : ysl@richmat.com

华南地区 / South China

联系人/CONTACT : 雷先生 /Mr. Lei

电话/TEL : 135 3088 6002

邮箱/EMAIL : leim@richmat.com

华东地区 / East China

联系人/CONTACT : 刘先生 /Mr. Liu

电话/TEL : 158 0075 8827

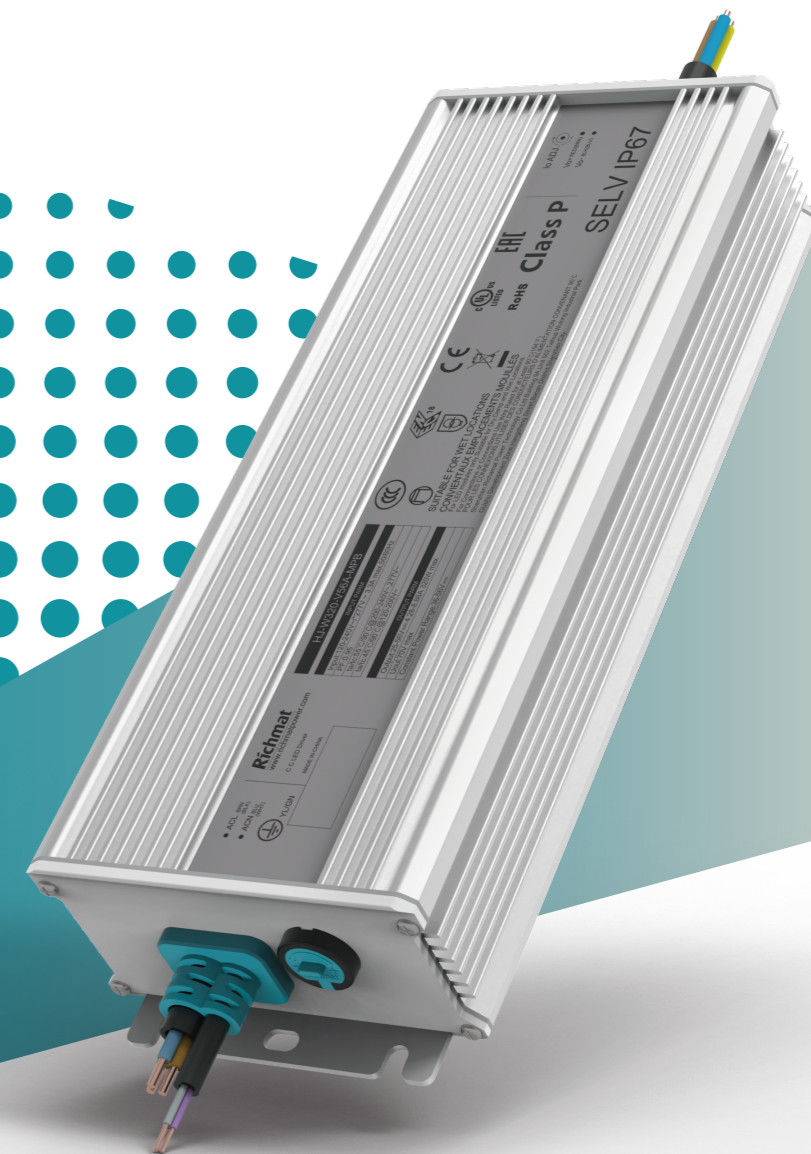
邮箱/EMAIL : lzl@richmat.com

海外市场 / Oversea market

联系人/CONTACT : 陈先生 /Mr. Chen

电话/TEL : (86) 189 5334 6833 / (1) 587 887 5087

邮箱/EMAIL : Jordan.chen@richmat.com



企业介绍

ABOUT RICHMAT POWER

深圳豪江电源科技有限公司

Shenzhen Richmat Power Technology Co., Ltd

深圳豪江电源科技有限公司(简称豪江电源),是一家集自主研发、制造及销售于一体,专注于道路照明、景观照明、工业高棚照明、体育场照明、景观照明等户外领域提供专业LED照明解决方案,总部位于深圳。

Shenzhen Richmat Power Technology Co., LTD. (referred to as Richmat Power), is a set of independent research and development, manufacturing and sales in one, focusing on road lighting, landscape lighting, industrial high shed lighting, stadium lighting, landscape lighting and other outdoor fields to provide professional LED lighting solutions, headquartered in Shenzhen.

豪江电源在青岛、华南等地设立了数个研发中心和EMC检测实验室,并与沃特检验集团合资共建国内先进的第三方实验室,涵盖了安规、传导及辐射、可靠性验证、环境等一系列测试,具有业内领先的实验测试资质。

Richmat Power has set up several R & D centers and EMC testing laboratories in Qingdao, South China and other places, and jointly built advanced third-party laboratories with WALTEK Testing Group, covering a series of tests such as safety, conduction and radiation, reliability verification, and environment, with industry-leading experimental testing qualifications.

豪江电源在青岛市及深圳市设立两大研发中心,拥有近百名研发工程师,涵盖了电路设计、结构设计、软件设计可靠性测试、安规认证、知识产权等全套产品开发流程,具有雄厚的研发实力。

Richmat Power set up two R & D centers in Qingdao City and Shenzhen City, with nearly 100 R & D engineers, covering circuit design, structural design, software design reliability testing, safety certification, intellectual property rights and other full product development process, with strong R & D strength.

截止目前,豪江电源已拥有20000平米占地面积,12条SMT-DIP产线,拥有每月20万台产能的交付能力,雇员超过400人。

Up to now, Richmat Power has an area of 20,000 square meters, 12 SMT-DIP production lines, with a monthly capacity of 200,000 units of delivery capacity, more than 400 employees.



相信, 品质的力量
Believe The Power Of Quality.



2003年

豪江电器成立，主营电器配件、驱动马达、开关电源等

The year 2003

Richmat Electrical Appliance was established, the main electrical accessories, Drive motor, switching power supply, etc

2015年

豪江智能电子工厂始建。

The year 2015

Richmat intelligent electronics factory was built.

2017年7月24日

青岛豪江智能科技股份有限公司成立是豪江发展的一个重要里程碑。

July 24, 2017

Qingdao Richmat Intelligent Technology Co., LTD

The establishment of the company is a development of Richmat

An important milestone.

2022年3月

正式设立豪江电源事业部，并在广东中山成立第二支研发团队。

March 2022

Richmat Power Division was officially established, and a second R&D team was established in Zhongshan, Guangdong.

2020年

豪江智能电子工厂更名注册为青岛豪江电子科技有限公司，专注于智能电源与智能终端产品的研发、生产、销售。

The year 2020

Richmat Intelligent Electronics Factory was renamed and registered as Qingdao Richmat Electronic Technology Co., LTD., focusing on the development, production and sales of intelligent power and intelligent terminal products.

2023年3月，

豪江投入2000多万，建设先进实验室—沃特，产品完成CCC/FCC/ENEC/CE/CB/UL等全球安规认证。

In March 2023,

Richmat invested more than 20 million CNY to build an advanced laboratory - Wurth, and its products have completed global safety certification such as CCC/FC-C/ENEC/CE/CB/UL.

2023年6月9日

豪江智能在深交所上市，股票代码为301320。

June 9, 2023

Richmat Intelligence is listed on the Shenzhen Stock Exchange with the stock code 301320.

2023年11月

豪江电子电源事业部正式独立成立深圳豪江电源科技有限公司。

November 2023

Richmat electronic power Department officially established Shenzhen Richmat Power Technology Co., LTD.

2023年10月

豪江电子第三期智能工厂投入使用。

October 2023

Richmat Electronics third smart factory put into use.



- 公司总部 Company headquarters
- 分公司 Subsidiary company
- 研发中心 Research and development center
- 生产制造基地 Manufacturing base
- 仓储基地 Storage base
- 销售区域 Sales territory

2000m²
占地面积
Floor space

12条
SMT-DIP产线
SMT-DIP production line

20,000
月度产能
Monthly capacity

100+
研发团队
R&d team

400+
员工人数
Number of employees

11 branches
11大分支机构

3家国外子公司
3 foreign subsidiaries
豪江美国、豪江韩国、豪江日本；
RICHMAT America, RICHMAT Korea, Japan;

5家国内子公司
5 domestic subsidiaries
豪江精密模具、豪江电子、豪江电源、容科机电、容科智家；
RICHMAT precision mold, Haojiang electronics, RICHMAT power supply, Rongke electromechanical, Rongke wisdom;

5家国内子公司
3 domestic branches
即墨龙泉分公司、广州分公司、华北分公司；
Jimo Longquan Branch, Guangzhou Branch, North China Branch;

4 R&D centers
4大研发中心

青岛院士港研发中心
Qingdao Academician Port
Research and development center

青岛总部研发中心
Qingdao headquarters R&D center

宁波智慧园研发中心
Ningbo Wisdom Park R & D center

深圳宝安研发中心
Shenzhen Baoan R & D center

项目典型案例

PROJECT TYPICAL CASE



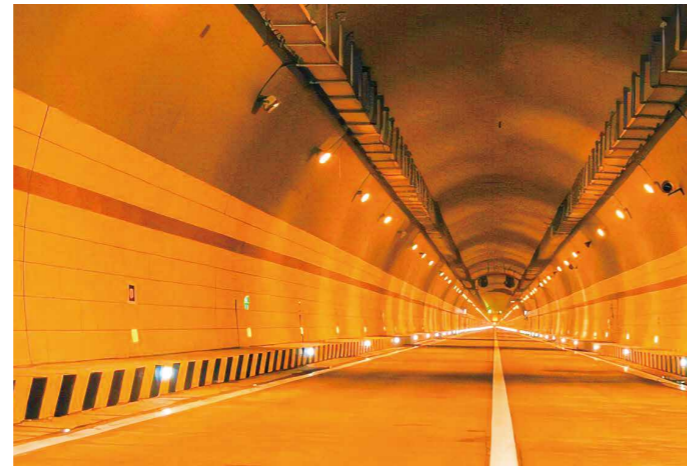
深圳东门步行街改造项目
Shenzhen East Gate pedestrian Street renovation project



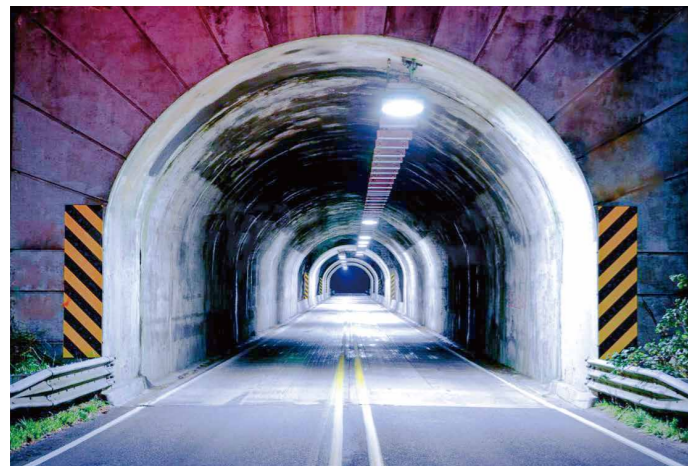
青岛重庆路高架桥亮化项目
Qingdao Chongqing Road viaduct lighting project



贵州黔西枫香河隧道项目
Guizhou Qianxi Fengxiang River tunnel project



广东五湖高速公路隧道项目
Guangdong five lakes expressway tunnel project



江西鹰潭市白塔西路隧道照明项目
Jiangxi Yingtan City Baita West Road tunnel lighting project



河南商丘永城永利路项目
Henan Shangqiu Yongcheng Yongli Road project

应用场景展示

APPLICATION SCENARIOS

已形成完整产业链, 为终端客户提供更优质的服务。

硬件开发: 兼顾多领域应用场景。【户外照明、工业照明等LED驱动电源。】

软件开发: 控制系统应对多样化的场景&领域。【控制系统或软件平台覆盖: 道路、隧道、植物、工厂、体育、文旅、智慧城市等。】

Formed a complete industrial chain, offering better service to our ending customers.

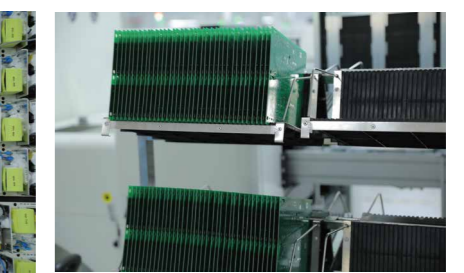
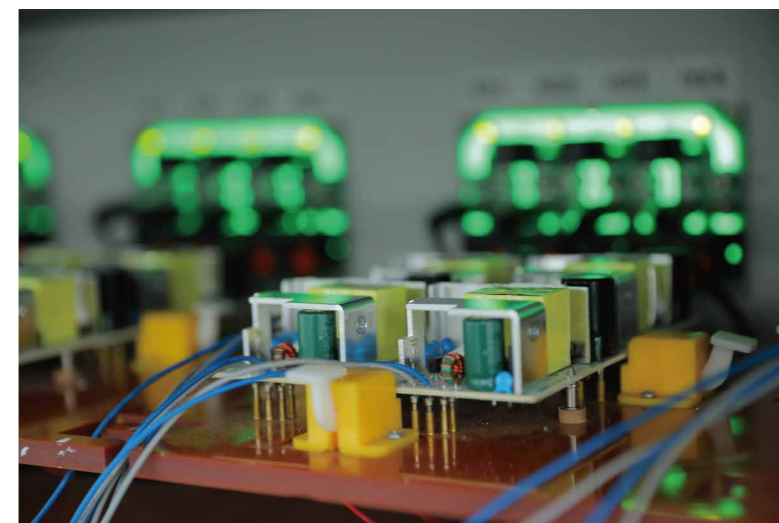
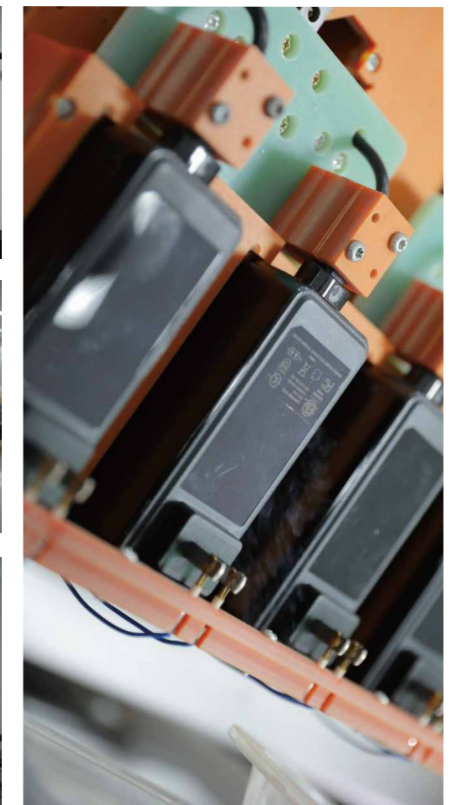
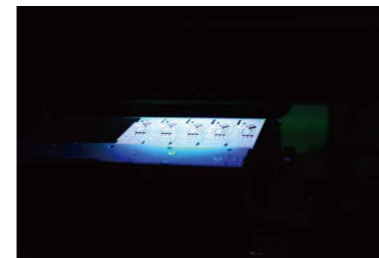
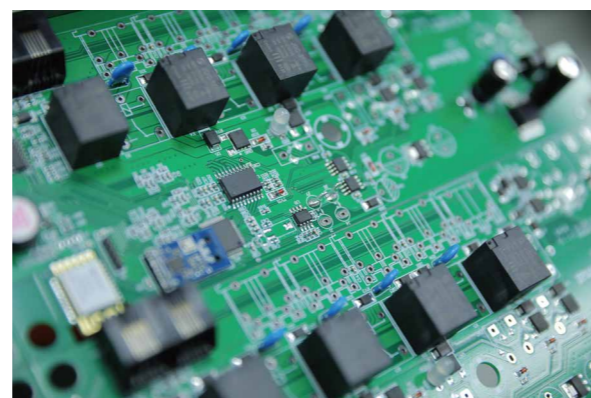
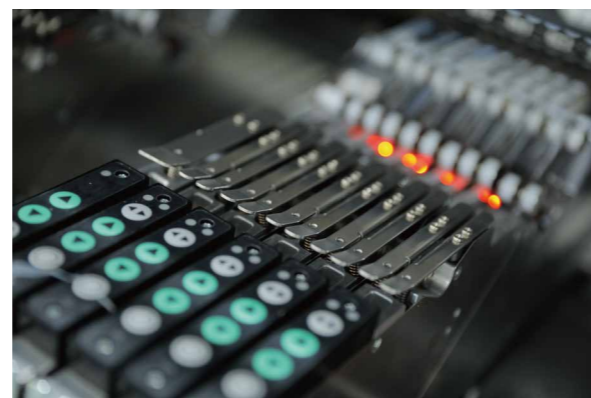
Hardware development: Taking into account multiple application scenarios. 【 For road, tunnel, industrial and mining, plant factory, sports, etc.】

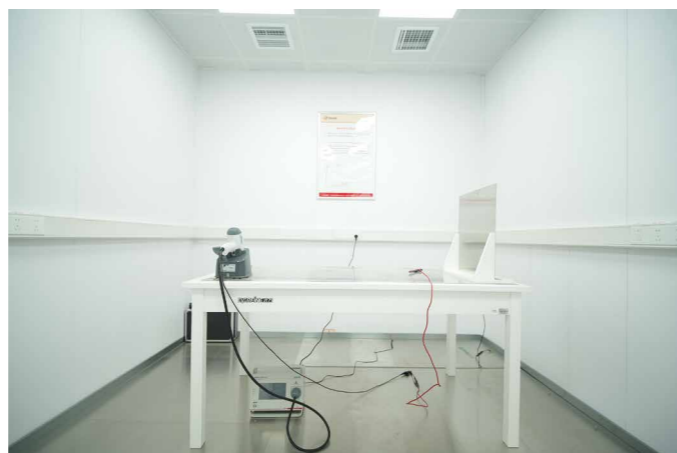
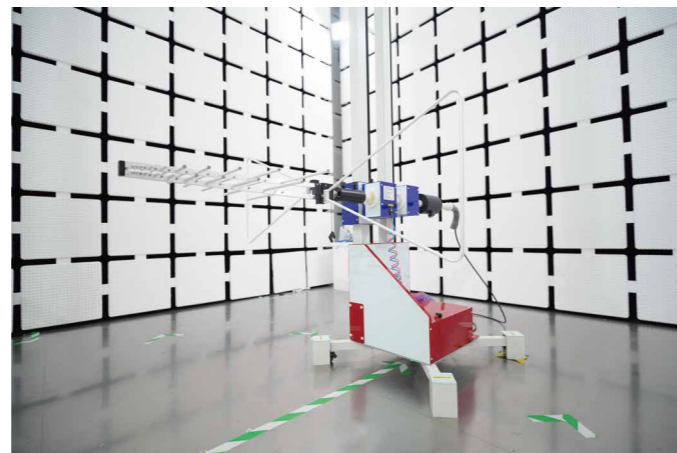
Software development: Control system for different application scenarios and fields. 【 Covering: control system or software platform for cultural tourism, smart city, etc.】



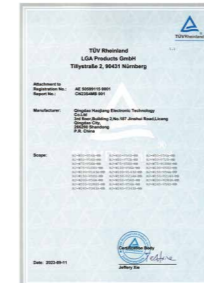
公司实力展示

PRODUCTION STRENGTH



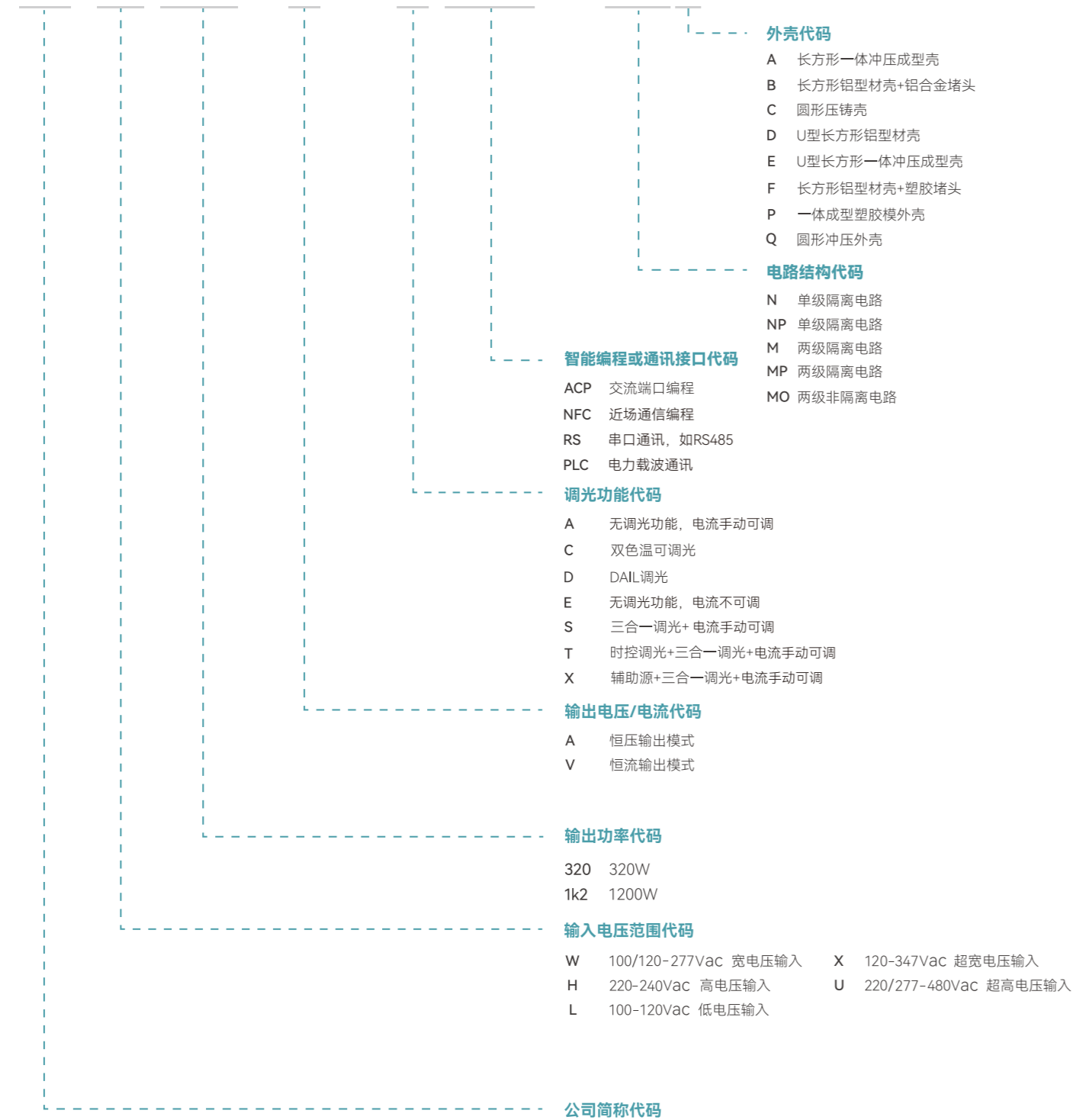


资质展示 QUALIFICATIONS



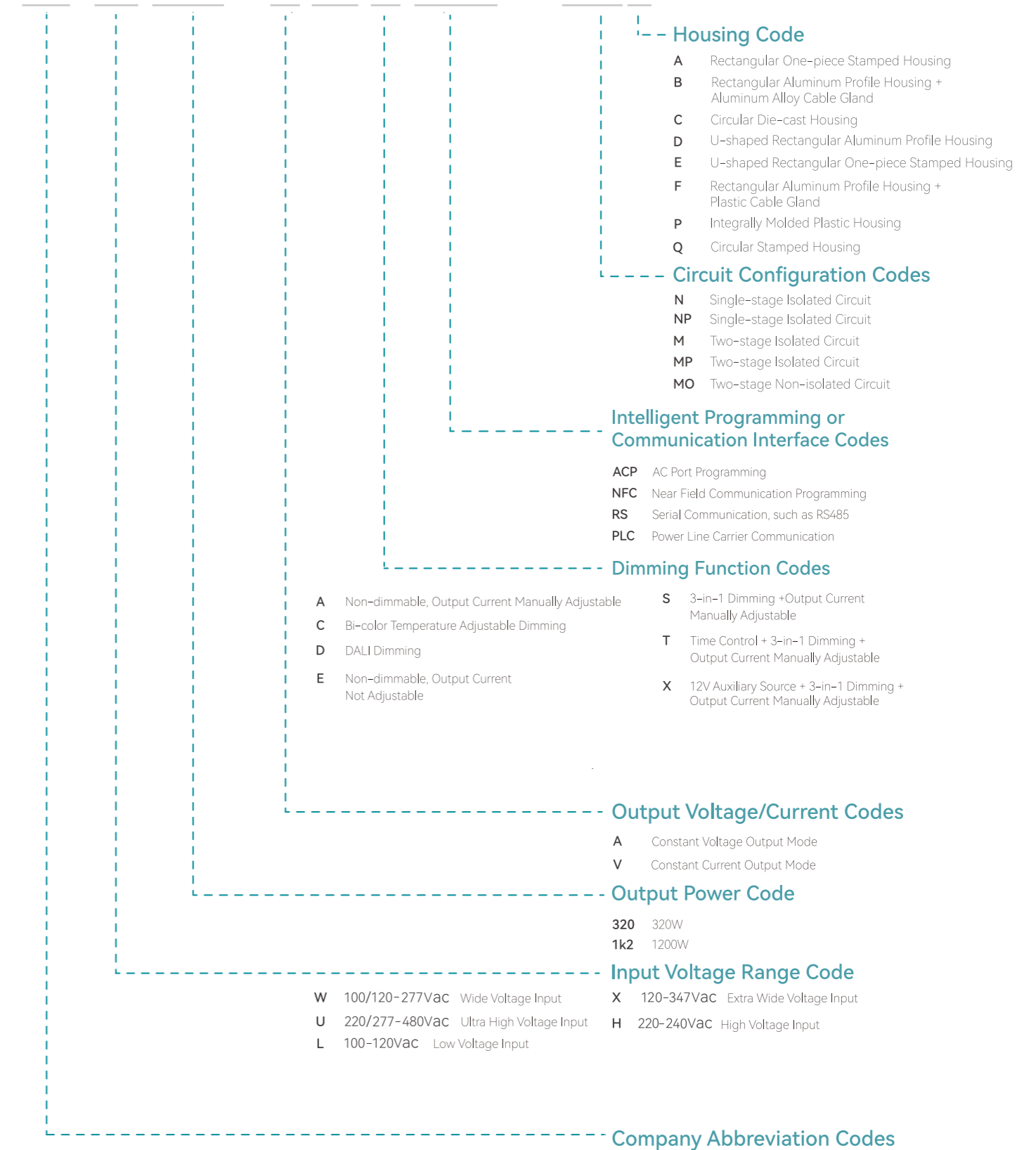
产品命名规则

HJ-W 320 - V 56 X NFC - MPB



Model Coding Rules

HJ-W 320 - V 56 X NFC - MPB



NA/100-277V

欧规户外道路照明电源系列 European Standard Outdoor Road LED Lighting Driver Series

50W 75W 105W 150W 200W



产品特性/Product Features

- Class I 结构
- 效率高达 91.5%
- 恒流输出控制模式
- 全面保护：短路/过温/过功率/输入欠压/输出过压
- 金属外壳结构，IP67防护等级
- 防雷等级：差模4KV，共模6KV(50W-75W)
差模6kV，共模15kV(105W-200W)
- 输出电流可通过外部调节
- 超长寿命设计，5年质保
- Class I Structure
- Efficiency up to: 91.5%
- Constant current output control mode
- Comprehensive protection:
Short circuit/over temperature/over power/
input under voltage/output over voltage
- Metal clad structure, IP67 protection level
- Lightning protection level: DM 4 kV, CM 6 kV(50W-75W)
DM 6 kV, CM 15 kV(105W-200W)
- Output current can be adjusted externally
- Long life time design, 5-year warranty

安规认证/Safety Certification



应用领域/Application Field

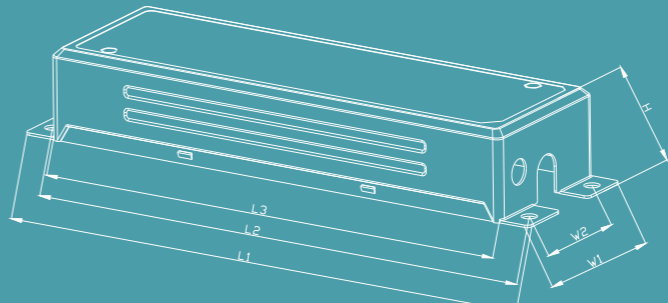
- 道路照明/Road lighting
- 隧道照明/Tunnel lighting

产品参数/Product Parameter

产品型号 Model	输入电压 Input Voltage	最大功率 Power	输出电压 Output Voltage	输出电流 Output current	效率 Efficiency	总谐波失真 T.H.D	功率因数 PF	产品尺寸 Size
HJ-W50-V38A-NA	100-277Vac	50W	20-38V	0.7A-1.6A(1.5A)	≥ 87.5%	< 10%	> 0.95	126*41*29mm
HJ-W50-V38S-NA	100-277Vac	50W	20-38V	0.7A-1.6A(1.5A)	≥ 87.5%	< 10%	> 0.95	126*41*29mm
HJ-W50-V58A-NA	100-277Vac	50W	32-58V	0.5A-1.2A(0.9A)	≥ 88.0%	< 10%	> 0.95	126*41*29mm
HJ-W50-V58S-NA	100-277Vac	50W	32-58V	0.5A-1.2A(0.9A)	≥ 88.0%	< 10%	> 0.95	126*41*29mm
HJ-W75-V38A-NA	100-277Vac	75W	20-38V	1.3A-2.5A(2.4A)	≥ 88.0%	< 10%	> 0.95	143*49*31mm
HJ-W75-V38S-NA	100-277Vac	75W	20-38V	1.3A-2.5A(2.4A)	≥ 88.0%	< 10%	> 0.95	143*49*31mm
HJ-W75-V58A-NA	100-277Vac	75W	32-58V	0.9A-1.8A(1.8A)	≥ 88.0%	< 10%	> 0.95	143*49*31mm
HJ-W75-V58S-NA	100-277Vac	75W	32-58V	0.9A-1.8A(1.8A)	≥ 88.0%	< 10%	> 0.95	143*49*31mm
HJ-W105-V38A-NA	100-277Vac	105W	20-38V	1.9A-3.5A(3.0A)	≥ 90.5%	< 10%	> 0.97	164*53*32.5mm
HJ-W105-V38S-NA	100-277Vac	105W	20-38V	1.9A-3.5A(3.0A)	≥ 90.5%	< 10%	> 0.97	164*53*32.5mm

产品参数/Product Parameter

产品型号 Model	输入电压 Input Voltage	最大功率 Power	输出电压 Output Voltage	输出电流 Output current	效率 Efficiency	总谐波失真 T.H.D	功率因数 PF	产品尺寸 Size
HJ-W105-V58A-NA	100-277Vac	105W	32-58V	1.3A-2.5A(2.1A)	≥ 91.5%	< 10%	> 0.97	164*53*32.5mm
HJ-W105-V58S-NA	100-277Vac	105W	32-58V	1.3A-2.5A(2.1A)	≥ 91.5%	< 10%	> 0.97	164*53*32.5mm
HJ-W150-V38A-NA	100-277Vac	150W	20-38V	2.7A-6.0A(4.2A)	≥ 90.5%	< 10%	> 0.95	186*60*38mm
HJ-W150-V38S-NA	100-277Vac	150W	20-38V	2.7A-6.0A(4.2A)	≥ 90.5%	< 10%	> 0.95	186*60*38mm
HJ-W150-V58A-NA	100-277Vac	150W	32-58V	1.8A-3.6A(3.3A)	≥ 91.5%	< 10%	> 0.95	186*60*38mm
HJ-W150-V58S-NA	100-277Vac	150W	32-58V	1.8A-3.6A(3.3A)	≥ 91.5%	< 10%	> 0.95	186*60*38mm
HJ-W200-V38A-NA	100-277Vac	200W	20-38V	3.7A-6.7A(5.3A)	≥ 90.0%	< 10%	> 0.95	230*67*38mm
HJ-W200-V38S-NA	100-277Vac	200W	20-38V	3.7A-6.7A(5.3A)	≥ 90.0%	< 10%	> 0.95	230*67*38mm
HJ-W200-V58A-NA	100-277Vac	200W	32-58V	2.4A-4.8A(3.45A)	≥ 91.5%	< 10%	> 0.95	230*67*38mm
HJ-W200-V58S-NA	100-277Vac	200W	32-58V	2.4A-4.8A(3.45A)	≥ 91.5%	< 10%	> 0.95	230*67*38mm



产品尺寸/Product Size(单位/Unit: MM)						
	L1	L2	L3	W1	W2	H
50W	126mm	116mm	106mm	41mm	26.5mm	29mm
75W	143mm	130.5mm	118mm	49mm	34mm	31mm
105W	164mm	150mm	136mm	53mm	34mm	32.5mm
150W	186mm	173.5mm	160mm	60mm	38.8mm	38mm
200W	230mm	217.4mm	202mm	67mm	44.8mm	38mm

*以上为手工测量尺寸，误差范围 ±1mm

A版本 (电位器调电流)
A Version (Potentiometer current regulation)

S版本 (三合一调光)
S version (3-in-1 dimming)

输入线材/Input Wire
φ7.2 H05RN-F 1.0mm² x400mm

输出线材/Output Wire
φ6.7 H05RN-F 1.0mm² x300mm

调光线材/Dimming Wire
φ4.5 0.5mm² x270mm



MB/120-277V

全球认证户外道路照明电源系列
Global certified outdoor road lighting power supply series

30W 50W 75W 100W 150W 200W 240W



产品特性/Product Features

- Class I 结构
- 效率高达 94.0%
- 恒流输出控制模式
- 全面保护：短路/过温/过功率/输入欠压/输出过压
- 金属外壳结构，IP67防护等级
- 防雷等级：差模6kV，共模15kV
- 输出电流可通过外部调节
- 超长寿命设计，5年质保
- Class I Structure
- Efficiency up to: 94.0%
- Constant current output control mode
- Comprehensive protection: Short circuit/over temperature/over power/ input under voltage/output over voltage
- Metal clad structure, IP67 protection level
- Lightning protection level: DM 6 kV , CM 15 kV
- Outpot current can be adjusted externally
- Long life time design, 5-year warranty

安规认证/Safety Certification



应用领域/Application Field

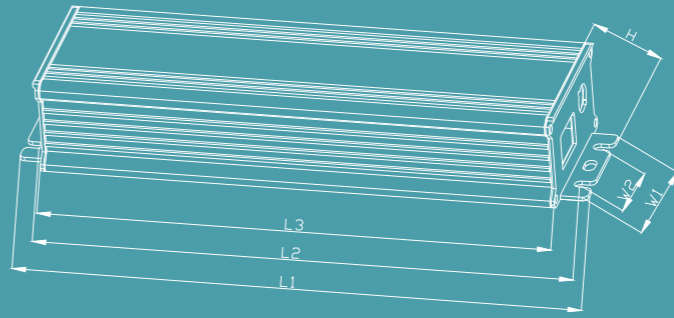
- 球场灯/Sports lamp
- 路灯/Street lamp
- 工矿灯/Mining lamp
- 植物灯/Plant lamp
- 集鱼灯/Fish gathering lamp

产品参数/Product Parameter

产品型号 Model	输入电压 Input Voltage	最大功率 Power	输出电压 Output Voltage	输出电流 Output current	效率 Efficiency	总谐波失真 T.H.D	功率因数 PF	产品尺寸 Size
HJ-W30-V56A-MB	120-277Vac	30W	25-56V	0.3A-1.0A(1.0A)	≥85.5%	< 10%	≥0.95	119*63*32mm
HJ-W30-V56S-MB	120-277Vac	30W	25-56V	0.3A-1.0A(1.0A)	≥85.5%	< 10%	≥0.95	119*63*32mm
HJ-W50-V56A-MB	120-277Vac	50W	25-56V	0.6A-1.7A(1.5A)	≥89%	< 10%	≥0.95	119*63*32mm
HJ-W50-V56S-MB	120-277Vac	50W	25-56V	0.6A-1.7A(1.5A)	≥89%	< 10%	≥0.95	119*63*32mm
HJ-W50-V72A-MB	120-277Vac	50W	36-72V	0.6A-1.7A(0.7A)	≥89%	< 10%	≥0.95	119*63*32mm
HJ-W50-V72S-MB	120-277Vac	50W	36-72V	0.6A-1.7A(0.7A)	≥89%	< 10%	≥0.95	119*63*32mm
HJ-W75-V56A-MB	120-277Vac	75W	25-56V	0.6A-2.1A(1.34A)	≥89%	< 10%	≥0.95	138*63*32mm
HJ-W75-V56S-MB	120-277Vac	75W	25-56V	0.6A-2.1A(1.34A)	≥89%	< 10%	≥0.95	138*63*32mm
HJ-W75-V108A-MB	120-277Vac	75W	54-108V	0.3A-1.13A(0.7A)	≥90%	< 10%	≥0.95	138*63*32mm
HJ-W75-V108S-MB	120-277Vac	75W	54-108V	0.3A-1.13A(0.7A)	≥90%	< 10%	≥0.95	138*63*32mm

产品参数/Product Parameter

产品型号 Model	输入电压 Input Voltage	最大功率 Power	输出电压 Output Voltage	输出电流 Output current	效率 Efficiency	总谐波失真 T.H.D	功率因数 PF	产品尺寸 Size
HJ-W100-V56A-MB	120-277Vac	100W	25-56V	0.8A-2.8A(1.8A)	≥89.5%	< 7%	≥0.97	153*63*32mm
HJ-W100-V56S-MB	120-277Vac	100W	25-56V	0.8A-2.8A(1.8A)	≥89.5%	< 7%	≥0.97	153*63*32mm
HJ-W100-V143A-MB	120-277Vac	100W	71-143V	0.35A-1.05A(0.7A)	≥91%	< 7%	≥0.97	153*63*32mm
HJ-W100-V143S-MB	120-277Vac	100W	71-143V	0.35A-1.05A(0.7A)	≥91%	< 7%	≥0.97	153*63*32mm
HJ-W150-V56A-MB	120-277Vac	150W	25-56V	1.8A-4.2A(2.67A)	≥91.5%	< 7%	≥0.97	186*63*32mm
HJ-W150-V56S-MB	120-277Vac	150W	25-56V	1.8A-4.2A(2.67A)	≥91.5%	< 7%	≥0.97	186*63*32mm
HJ-W150-V214A-MB	120-277Vac	150W	95-214V	0.5A-1.05A(0.7A)	≥92.5%	< 7%	≥0.97	186*63*32mm
HJ-W150-V214S-MB	120-277Vac	150W	95-214V	0.5A-1.05A(0.7A)	≥92.5%	< 7%	≥0.97	186*63*32mm
HJ-W200-V56A-MB	120-277Vac	200W	25-56V	2.6A-5.6A(3.57A)	≥92%	< 7%	≥0.97	199*63*37mm
HJ-W200-V56S-MB	120-277Vac	200W	25-56V	2.6A-5.6A(3.57A)	≥92%	< 7%	≥0.97	199*63*37mm
HJ-W200-V286A-MB	120-277Vac	200W	143-286V	0.7A-1.05A(0.7A)	≥93.5%	< 7%	≥0.97	199*63*37mm
HJ-W200-V286S-MB	120-277Vac	200W	143-286V	0.7A-1.05A(0.7A)	≥93.5%	< 7%	≥0.97	199*63*37mm
HJ-W240-V56A-MB	120-277Vac	240W	25-56V	3.5A-6.7A(5.0A)	≥93%	< 7%	≥0.97	217*63*37mm
HJ-W240-V56S-MB	120-277Vac	240W	25-56V	3.5A-6.7A(5.0A)	≥93%	< 7%	≥0.97	217*63*37mm
HJ-W240-V343A-MB	120-277Vac	240W	171-343V	0.7A-1.05A(0.7A)	≥94%	< 7%	≥0.97	217*63*37mm
HJ-W240-V343S-MB	120-277Vac	240W	171-343V	0.7A-1.05A(0.7A)	≥94%	< 7%	≥0.97	217*63*37mm



产品尺寸/Product Size(单位/Unit: MM)						
	L1	L2	L3	W1	W2	H
30W	119mm	109mm	98.4mm	63mm	32mm	32mm
50W	119mm	109mm	98.4mm	63mm	32mm	32mm
75W	138mm	128mm	117.4mm	63mm	32mm	32mm
100W	153mm	143mm	132.4mm	63mm	32mm	32mm
150W	186mm	176mm	165.4mm	63mm	32mm	32mm
200W	199mm	189mm	178.4mm	63mm	28mm	37mm
240W	217mm	207mm	197.4mm	63mm	28mm	37mm

*以上为手工测量尺寸，误差范围 ±1mm

A版本 (电位器调电流)
A Version (Potentiometer current regulation)

S版本 (三合一调光)
S version (3-in-1 dimming)

输入线材/Input Wire
φ8.2 SJOW 17AWG×400mm

输出线材/Output Wire
φ7.7 SJOW 17AWG H05RN-F 1.0×250mm

调光线材/Dimming Wire
φUL2517 22AWG×270mm

MOQ/120-277V

工业照明电源系列
Industrial lighting power supply series

100W 150W



产品尺寸/Product Size(单位/Unit: MM)						
	D	4-B	R	Z	H	W
100W	Φ128	Φ7	M4*0.7	M10*1.5	58.5	113
150W	Φ128	Φ7	M4*0.7	M10*1.5	58.5	113

*以上为手工测量尺寸, 误差范围 ±1mm

产品特性/Product Features

- | | |
|---|--|
| <ul style="list-style-type: none"> • Class I结构 • 效率高达 95.0% • 恒功率驱动, 恒流输出控制模式 • 全面保护: 短路/过温/过功率/输入欠压/输出过压 • 金属外壳结构, IP65防护等级 • 防雷等级: 差模6kV, 共模6kV • 输出电流可通过外部电位器调节 • 超长寿命设计, 5年质保 | <ul style="list-style-type: none"> • Class I Structure • Efficiency up to: 95.0% • Constant power drive, constant current output control mode • Comprehensive protection: Short circuit/over temperature/over power/ input under voltage/output over voltage • Metal clad structure, IP65 protection level • Lightning protection level: DM 6 kV, CM 6 kV • The output current can be adjusted by an external potentiometer • Long life time design, 5-year warranty |
|---|--|

A版本 (电位器调电流)
A Version (Potentiometer current regulation)

S版本 (三合一调光)
S version (3-in-1 dimming)

X版本 (12V+三合一调光)
X version (12V+ 3-in-1 dimming)

输入线材/Input Wire
φ8.2 SJOW 17AWG×400mm

输出线材/Output Wire
φ7.7 SJOW 17AWG H05RN-F 1.0×250mm

调光线材/Dimming Wire
φUL2517 22AWG×270mm

安规认证/Safety Certification



应用领域/Application Field

- 工矿灯 / Mining lamp
- 高棚灯 / Ceiling lamp
- 油站灯 / Gas station lamp

产品参数/Product Parameter

产品型号 Model	输入电压 Input Voltage	最大功率 Power	输出电压 Output Voltage	输出电流 Output current	效率 Efficiency	总谐波失真 T.H.D	功率因数 PF	产品尺寸 Size
HJ-W100-V266A-MOQ	120-277Vac	100W	180-266V	0.376A-0.5A(0.5A)	94.5%	< 8%	≥0.95	128*58.5mm
HJ-W100-V266S-MOQ	120-277Vac	100W	180-266V	0.376A-0.5A(0.5A)	94.5%	< 8%	≥0.95	128*58.5mm
HJ-W100-V266X-MOQ	120-277Vac	100W	180-266V	0.376A-0.5A(0.5A)	94.5%	< 8%	≥0.95	128*58.5mm
HJ-W150-V266A-MOQ	120-277Vac	150W	180-266V	0.564A-0.75A(0.75A)	95.0%	< 8%	≥0.95	128*58.5mm
HJ-W150-V266S-MOQ	120-277Vac	150W	180-266V	0.564A-0.75A(0.75A)	95.0%	< 8%	≥0.95	128*58.5mm
HJ-W150-V266X-MOQ	120-277Vac	150W	180-266V	0.564A-0.75A(0.75A)	95.0%	< 8%	≥0.95	128*58.5mm

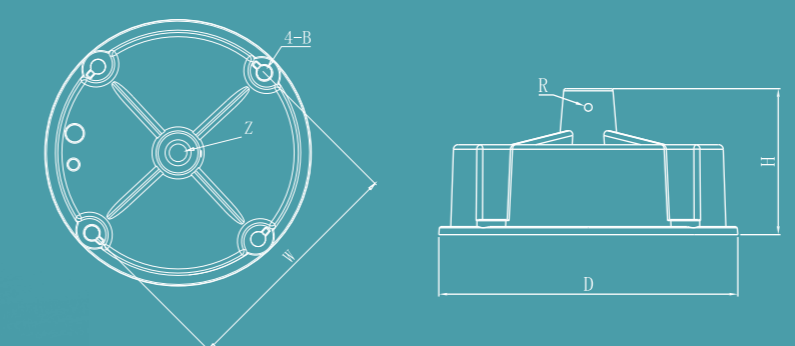


MOC/120-277V

工业照明电源系列
Industrial lighting power supply series

200W 240W





产品尺寸/Product Size(单位/Unit: MM)						
	D	4-B	R	Z	H	W
200W	Φ128	Φ7	M4*0.7	M10*1.5	62.5	113
240W	Φ128	Φ7	M4*0.7	M10*1.5	62.5	113

*以上为手工测量尺寸, 误差范围 ±1mm

产品特性/Product Features

- Class I 结构
- 效率高达 96.0%
- 恒功率驱动, 恒流输出控制模式
- 全面保护: 短路/过温/过功率/输入欠压/输出过压
- 金属外壳结构, IP65 防护等级
- 防雷等级: 差模 6kV, 共模 6kV
- 输出电流可通过外部电位器调节
- 超长寿命设计, 5年质保
- Class I Structure
- Efficiency up to: 96.0%
- Constant power drive, constant current output control mode
- Comprehensive protection: Short circuit/over temperature/over power/ input under voltage/output over voltage
- Metal clad structure, IP65 protection level
- Lightning protection level: DM 6kV, CM 6kV
- The output current can be adjusted by an external potentiometer
- Long life time design, 5-year warranty

A 版本 (电位器调电流)
A Version (Potentiometer current regulation)

S 版本 (三合一调光)
S version (3-in-1 dimming)

X 版本 (12V+三合一调光)
X version (12V+ 3-in-1 dimming)

输入线材/Input Wire
φ8.2 SJOW 17AWG×400mm

输出线材/Output Wire
φ7.7 SJOW 17AWG H05RN-F 1.0×250mm

调光线材/Dimming Wire
φUL2517 22AWG×270mm

安规认证/Safety Certification

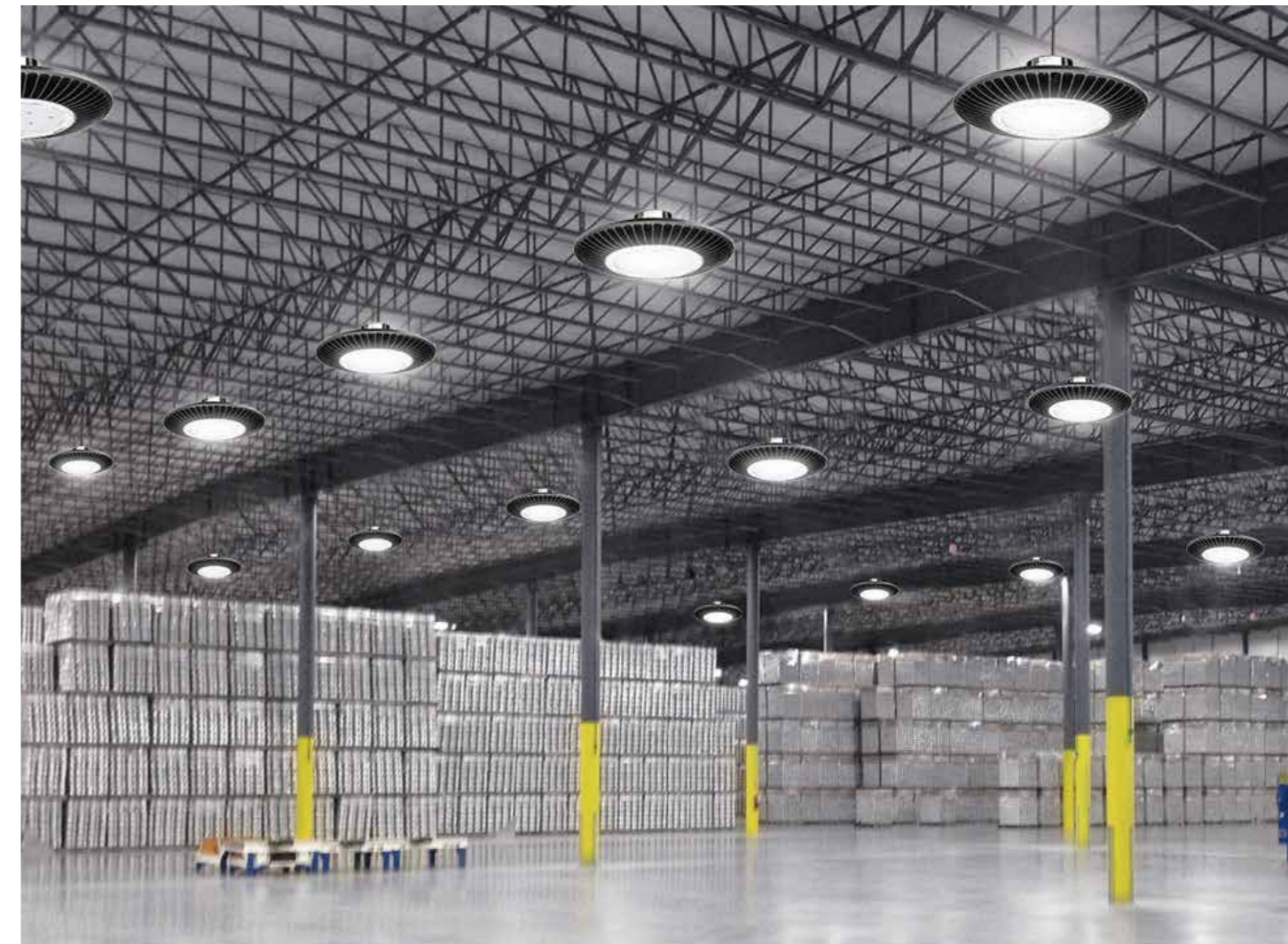


应用领域/Application Field

- 工矿灯 / Mining lamp
- 高棚灯 / Ceiling lamp
- 油站灯 / Gas station lamp

产品参数/Product Parameter

产品型号 Model	输入电压 Input Voltage	最大功率 Power	输出电压 Output Voltage	输出电流 Output current	效率 Efficiency	总谐波失真 T.H.D	功率因数 PF	产品尺寸 Size
HJ-W200-V266A-MOC	120-277Vac	200W	180-266V	0.752A-1.0A(1.0A)	≥ 96.0%	< 7%	≥ 0.97	128*62.5mm
HJ-W200-V266S-MOC	120-277Vac	200W	180-266V	0.752A-1.0A(1.0A)	≥ 96.0%	< 7%	≥ 0.97	128*62.5mm
HJ-W200-V266X-MOC	120-277Vac	200W	180-266V	0.752A-1.0A(1.0A)	≥ 96.0%	< 7%	≥ 0.97	128*62.5mm
HJ-W240-V266A-MOC	120-277Vac	240W	180-266V	0.902A-1.2A(1.2A)	≥ 96.0%	< 7%	≥ 0.97	128*62.5mm
HJ-W240-V266S-MOC	120-277Vac	240W	180-266V	0.902A-1.2A(1.2A)	≥ 96.0%	< 7%	≥ 0.97	128*62.5mm
HJ-W240-V266X-MOC	120-277Vac	240W	180-266V	0.902A-1.2A(1.2A)	≥ 96.0%	< 7%	≥ 0.97	128*62.5mm



MPB/120-277V

道路场馆恒流照明电源系列
Road venue constant current lighting power supply series

100W 150W 200W 240W 320W



产品特性/Product Features

- Class I结构
- 效率高达 95.0%
- 恒功率驱动, 恒流输出控制模式
- 全面保护: 短路/过温/过功率/输入欠压/输出过压
- 金属外壳结构, IP67防护等级
- 防雷等级: 差模6kV, 共模20kV
- 输出电流可通过外部电位器或NFC编程调节
- 超长寿命设计, 5年质保(320W,7年质保)
- Class I Structure
- Efficiency up to: 95.0%
- Constant power drive, constant current output control mode
- Comprehensive protection: Short circuit/over temperature/over power/ input under voltage/output over voltage
- Metal clad structure, IP67 protection level
- Lightning protection level: DM 6 kV, CM 20 kV
- The output current can be adjusted by external potentiometer or NFC programming
- Long life time design, 5-year warranty(320W,7 years warranty)

安规认证/Safety Certification



应用领域/Application Field

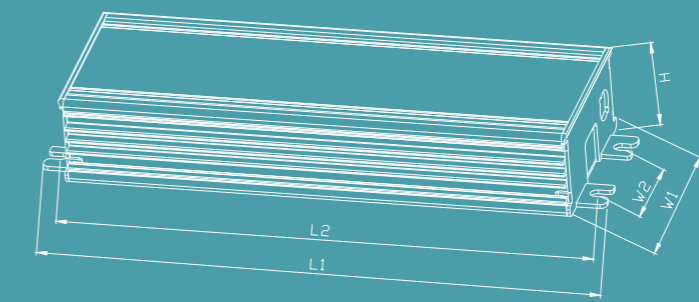
- 球场灯/Court lamp
- 路灯/Street lamp
- 工矿灯/Mining lamp
- 植物灯/Plant lamp
- 集鱼灯/Fish gathering lamp
- 隧道灯/Tunnel lamp

产品参数/Product Parameter

产品型号 Model	输入电压 Input Voltage	最大功率 Power	输出电压 Output Voltage	输出电流 Output current	效率 Efficiency	总谐波失真 T.H.D	功率因数 PF	产品尺寸 Size
HJ-W100-V56A-MPB	120-277Vac	100W	25-56V	1.3A-2.8A(1.8A)	91.0%	< 5%	≥0.97	152*56*27mm
HJ-W100-V56X-MPB	120-277Vac	100W	25-56V	1.3A-2.8A(1.8A)	91.0%	< 5%	≥0.97	152*56*27mm
HJ-W100-V143A-MPB	120-277Vac	100W	71-143V	0.5A-1.05A(0.7A)	92.0%	< 5%	≥0.97	152*56*27mm
HJ-W100-V143X-MPB	120-277Vac	100W	71-143V	0.5A-1.05A(0.7A)	92.0%	< 5%	≥0.97	152*56*27mm
HJ-W150-V56A-MPB	120-277Vac	150W	25-56V	2.67A-4.17A(2.67A)	91.5%	< 5%	≥0.97	185*63*32mm
HJ-W150-V56X-MPB	120-277Vac	150W	25-56V	2.67A-4.17A(2.67A)	91.5%	< 5%	≥0.97	185*63*32mm

产品参数/Product Parameter

产品型号 Model	输入电压 Input Voltage	最大功率 Power	输出电压 Output Voltage	输出电流 Output current	效率 Efficiency	总谐波失真 T.H.D	功率因数 PF	产品尺寸 Size
HJ-W150-V214A-MPB	120-277Vac	150W	95-214V	0.7A-1.05A(0.7A)	92.0%	< 5%	≥0.97	185*63*32mm
HJ-W150-V214X-MPB	120-277Vac	150W	95-214V	0.7A-1.05A(0.7A)	92.0%	< 5%	≥0.97	185*63*32mm
HJ-W200-V56A-MPB	120-277Vac	200W	25-56V	2.6A-5.6A(3.57A)	92.0%	< 7%	≥0.97	198*63*32mm
HJ-W200-V56X-MPB	120-277Vac	200W	25-56V	2.6A-5.6A(3.57A)	92.0%	< 7%	≥0.97	198*63*32mm
HJ-W200-V286A-MPB	120-277Vac	200W	143-286V	0.5A-1.05A(0.7A)	93.0%	< 7%	≥0.97	198*63*32mm
HJ-W200-V286X-MPB	120-277Vac	200W	143-286V	0.5A-1.05A(0.7A)	93.0%	< 7%	≥0.97	198*63*32mm
HJ-W240-V56A-MPB	120-277Vac	240W	25-56V	4.3A-6.7A(5.0A)	93.0%	< 5%	≥0.97	198*63*32mm
HJ-W240-V56X-MPB	120-277Vac	240W	25-56V	4.3A-6.7A(5.0A)	93.0%	< 5%	≥0.97	198*63*32mm
HJ-W240-V343A-MPB	120-277Vac	240W	171-343V	0.7A-1.05A(0.7A)	94.5%	< 5%	≥0.97	198*63*32mm
HJ-W240-V343X-MPB	120-277Vac	240W	171-343V	0.7A-1.05A(0.7A)	94.5%	< 5%	≥0.97	198*63*32mm
HJ-W320-V56A-MPB	120-277Vac	320W	25-56V	5.7A-8.88A(6.6A)	94.0%	< 3%	≥0.97	237*83*42mm
HJ-W320-V56X-MPB	120-277Vac	320W	25-56V	5.7A-8.88A(6.6A)	94.0%	< 3%	≥0.97	237*83*42mm
HJ-W320-V457A-MPB	120-277Vac	320W	228-457V	0.7A-1.1A(0.7A)	95.0%	< 3%	≥0.97	237*71*42mm
HJ-W320-V457X-MPB	120-277Vac	320W	228-457V	0.7A-1.1A(0.7A)	95.0%	< 3%	≥0.97	237*71*42mm



产品尺寸/Product Size(单位/Unit: MM)						
	L1	L2	L3	W1	W2	H
100W	152	142	131.4	56	32	27
150W	186	176	146.4	63	32	32
200W	199	189	177.4	63	28	37
240W	199	189	177.4	63	28	37
320W	237	227.5	215	83	50	42

*以上为手工测量尺寸, 误差范围 ±1mm

A版本 (电位器调电流)
A Version (Potentiometer current regulation)

X版本 (12V+三合一调光)
X version (12V+ 3-in-1 dimming)

输入线材/Input Wire
φ8.2 SJOW 17AWG×400mm

输出线材/Output Wire
φ7.7 SJOW 17AWG H05RN-F 1.0×250mm

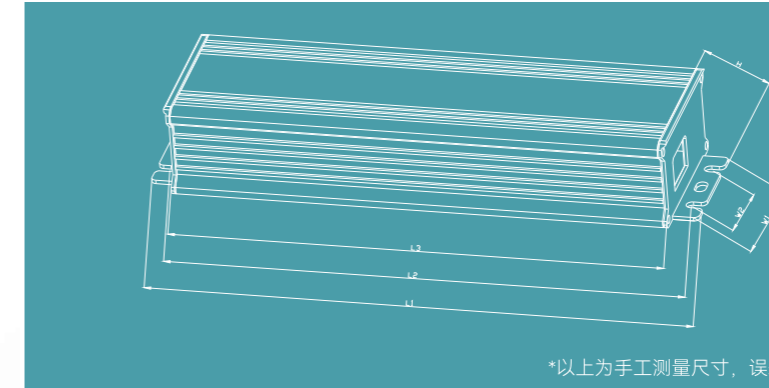
调光线材/Dimming Wire
φUL2517 22AWG×270mm



MPB/200-277V

景观亮化恒压照明电源系列
Landscape lighting constant voltage lighting power supply series

300W 350W 400W 450W



*以上为手工测量尺寸，误差范围 ±1mm

产品尺寸/Product Size(单位/Unit: MM)

	L1	L2	L3	W1	W2	H
300W	217	207	196.4	63	28	37
350W	227	217	206.4	63	28	37
400W	237	227.5	215	71	34	42
450W	247	237.5	225	71	34	42

产品特性/Product Features

- Class I 结构
- 效率高达 95.0%
- 恒压输出控制模式
- 全面保护：短路/过温/过功率/输入欠压/输出过压
- 金属外壳结构，IP67 防护等级
- 防雷等级：差模 6kV，共模 20kV
- 超长寿命设计，5 年质保

- Class I Structure
- Efficiency up to: 95.0%
- Constant voltage output control mode
- Comprehensive protection: Short circuit/over temperature/over power/ input under voltage/output over voltage
- Metal clad structure, IP67 protection level
- Lightning protection level: DM 6 kV, CM 20 kV
- Long life design, 5 years warranty

输入线材/Input Wire
φ8.2 SJOW 17AWG×400mm

输出线材/Output Wire
φ8.3 HO5RR-F 1.5mm²×250mm

安规认证/Safety Certification



应用领域/Application Field

- 景观亮化/Landscape lighting
- 广告照明/Advertising lighting
- 展览照明/Exhibition lighting
- 舞台照明/Stage lighting

产品参数/Product Parameter

产品型号 Model	输入电压 Input Voltage	最大功率 Power	输出电压 Output Voltage	默认电流 Current	效率 Efficiency	总谐波失真 T.H.D	功率因数 PF	产品尺寸 Size
HJ-H300-A24E-MPB	200-277Vac	300W	24V	0A-12.5A (12.5A)	94.0%	< 5%	≥0.97	217*63*37mm
HJ-H350-A24E-MPB	200-277Vac	350W	24V	0A-14.58A(14.58A)	94.0%	< 5%	≥0.97	227*63*37mm
HJ-H400-A24E-MPB	200-277Vac	400W	24V	0A-16.66A(16.66A)	94.5%	< 5%	≥0.97	237*71*42mm
HJ-H450-A24E-MPB	200-277Vac	450W	24V	0A-18.75A(18.75A)	94.5%	< 5%	≥0.97	247* 71*42mm



MOF/120-277V

工矿灯、高棚灯照明电源系列
Mining lamp, high shed lamp lighting power supply series

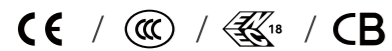


60W 80W 100W 150W 200W 240W 320W

产品特性/Product Features

- Class I结构
- 两级非隔离, 无余辉设计
- 效率高达 96.0%
- 恒功率驱动, 恒流输出控制模式
- 全面保护: 短路/过温/过功率/输入欠压/输出过压
- 金属外壳结构, IP54防护等级
- 防雷等级: 差模6kV, 共模10kV
- 超长寿命设计, 5年质保
- Class I Structure
- Two-stage non-isolation, no afterglow design
- Efficiency up to: 96.0%
- Constant power drive, constant current output control mode
- Comprehensive protection: Short circuit/over temperature/over power/ input under voltage/output over voltage
- Metal clad structure, IP54 protection level
- Lightning protection level: DM 6 kV, CM 10 kV
- Long life design, 5 years warranty

安规认证/Safety Certification



应用领域/Application Field

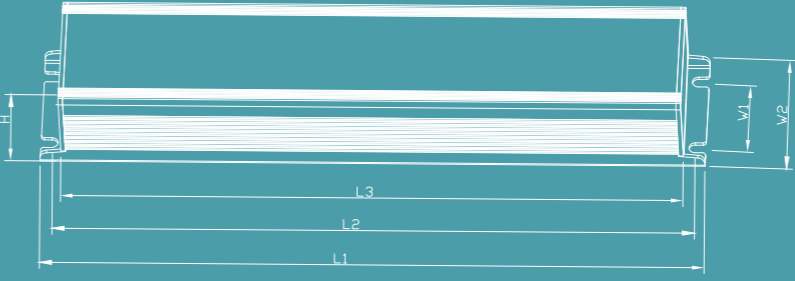
- 工矿灯/Mining lamp
- 高棚灯/Ceiling lamp

产品参数/Product Parameter

产品型号 Model	输入电压 Input Voltage	最大功率 Power	输出电压 Output Voltage	输出电流 Output current	效率 Efficiency	总谐波失真 T.H.D	功率因数 PF	产品尺寸 Size
HJ-W100-V266A-MOF	120-277Vac	100W	180-266V	0.25A-0.5A(0.5A)	95.0%	< 8%	≥0.97	151*43.3*27.4mm
HJ-W100-V266S-MOF	120-277Vac	100W	180-266V	0.25A-0.5A(0.5A)	95.0%	< 8%	≥0.97	151*43.3*27.4mm
HJ-W100-V266X-MOF	120-277Vac	100W	180-266V	0.25A-0.5A(0.5A)	95.0%	< 8%	≥0.97	151*43.3*27.4mm
HJ-W150-V266A-MOF	120-277Vac	150W	180-266V	0.56A-0.75A(0.75A)	95.0%	< 8%	≥0.97	181*43.3*27.4mm
HJ-W150-V266S-MOF	120-277Vac	150W	180-266V	0.56A-0.75A(0.75A)	95.0%	< 8%	≥0.97	181*43.3*27.4mm
HJ-W150-V266X-MOF	120-277Vac	150W	180-266V	0.56A-0.75A(0.75A)	95.0%	< 8%	≥0.97	181*43.3*27.4mm
HJ-W200-V266A-MOF	120-277Vac	200W	180-266V	0.75A-1.0A(1.0A)	95.0%	< 8%	≥0.97	228*43.3*32.4mm
HJ-W200-V266S-MOF	120-277Vac	200W	180-266V	0.75A-1.0A(1.0A)	95.0%	< 8%	≥0.97	228*43.3*32.4mm
HJ-W200-V266X-MOF	120-277Vac	200W	180-266V	0.75A-1.0A(1.0A)	95.0%	< 8%	≥0.97	228*43.3*32.4mm

产品参数/Product Parameter

产品型号 Model	输入电压 Input Voltage	最大功率 Power	输出电压 Output Voltage	输出电流 Output current	效率 Efficiency	总谐波失真 T.H.D	功率因数 PF	产品尺寸 Size
HJ-W240-V266A-MOF	120-277Vac	240W	180-266V	0.9A-1.2A(1.2A)	95.0%	< 8%	≥0.97	228*43.3*32.4mm
HJ-W240-V266S-MOF	120-277Vac	240W	180-266V	0.9A-1.2A(1.2A)	95.0%	< 8%	≥0.97	228*43.3*32.4mm
HJ-W240-V266X-MOF	120-277Vac	240W	180-266V	0.9A-1.2A(1.2A)	95.0%	< 8%	≥0.97	228*43.3*32.4mm
HJ-W320-V266A-MOF	120-277Vac	320W	180-266V	1.2A-1.6A(1.6A)	96.0%	< 8%	≥0.97	240*43.3*32.4mm
HJ-W320-V266S-MOF	120-277Vac	320W	180-266V	1.2A-1.6A(1.6A)	96.0%	< 8%	≥0.97	240*43.3*32.4mm
HJ-W320-V266X-MOF	120-277Vac	320W	180-266V	1.2A-1.6A(1.2A)	96.0%	< 8%	≥0.97	240*43.3*32.4mm



产品尺寸/Product Size(单位/Unit: MM)						
	L1	L2	L3	W1	W2	H
100W	120	112	137	43.3	28	32.4
150W	150	142	167	43.3	28	32.4
200W	228	220	214	43.3	28	32.4
240W	228	220	214	43.3	28	32.4
320W	240	232	226	43.3	28	32.4

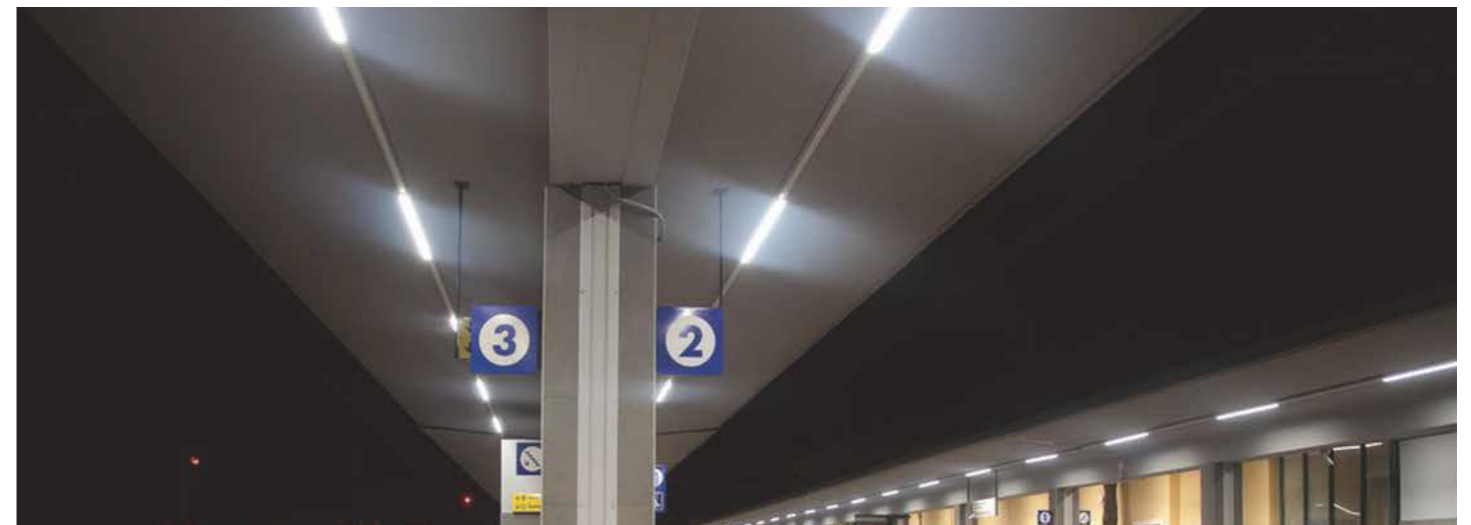
*以上为手工测量尺寸, 误差范围 ±1mm

A版本 (电位器调电流)
A Version (Potentiometer current regulation)

X版本 (12V+三合一调光)
X version (12V+ 3-in-1 dimming)

输入线材/Input Wire
φ8.2 SJOW 17AWG×400mm

输出线材/Output Wire
φ9.8 HO5RR-F 2.5mm²×250mm

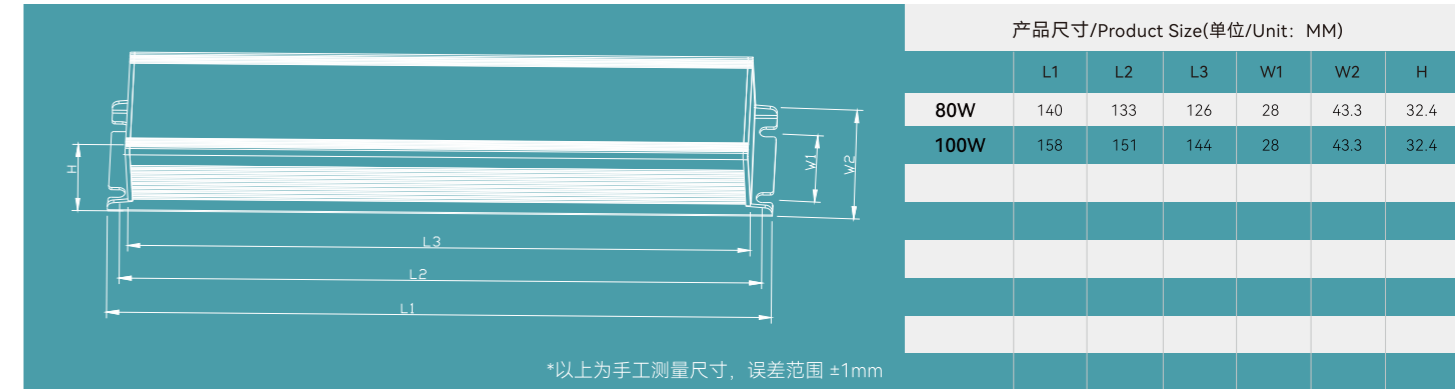


NF/100-277V

单级隔离户外驱动电源

Single-stage isolated outdoor drive power supply

80W 100W



产品特性/Product Features

- Class I 结构
 - 效率高达 91.0%
 - 恒流输出控制模式
 - 全面保护: 短路/过温/过功率/输入欠压/输出过压
 - 金属外壳结构, IP67 防护等级
 - 防雷等级: 差模 4 kV, 共模 6 kV
 - 输出电流可通过外部调节
- Class I Structure
 - Efficiency up to: 91.0%
 - Constant current output control mode
 - Comprehensive protection: Short circuit/over temperature/over power/ input under voltage/output over voltage
 - Metal clad structure, IP67 protection level
 - Lightning protection level: DM 4 kV, CM 6 kV
 - The output current can be adjusted by an external potentiometer

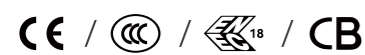
A版本 (电位器调电流)
A Version (Potentiometer current regulation)

S版本 (三合一调光)
S version (3-in-1 dimming)

输入线材/Input Wire
φ6.8 1.0mm×400mm 3C

输出线材/Output Wire
φ6.2 0.75mm×300mm 3C

安规认证/Safety Certification



应用领域/Application Field

- 道路照明 / Roadlight lighting
- 隧道照明 / Tunnel lighting
- 植物照明 / Plant lighting
- 场馆照明 / Venue lighting
- 投光灯 / Flood lamp

产品参数/Product Parameter

产品型号 Model	输入电压 Input Voltage	最大功率 Power	输出电压 Output Voltage	默认电流 Current	效率 Efficiency	总谐波失真 T.H.D	功率因数 PF	产品尺寸 Size
HJ-W80-V56A-NF	120-277Vac	80W	25-56Vdc	1.15A-2.3A(1.66A)	90.0%	< 10%	≥0.95	140*43.3*27.5mm
HJ-W80-V56S-NF	120-277Vac	80W	25-56Vdc	1.15A-2.3A(1.66A)	90.0%	< 10%	≥0.95	140*43.3*27.5mm
HJ-W100-V56A-NF	120-277Vac	100W	25-56Vdc	1.35A-2.77A(2.08A)	90.0%	< 10%	≥0.95	158*43.3*32.4mm
HJ-W100-V56S-NF	120-277Vac	100W	25-56Vdc	1.35A-2.77A(2.08A)	90.0%	< 10%	≥0.95	158* 43.3*32.4mm



ME/120-277V

双级隔离户外驱动电源
Two-stage isolated outdoor drive power supply

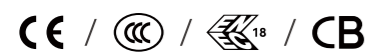
150W 200W 240W 320W



产品特性/Product Features

- Class I结构
- 效率高达 93.0%
- 恒流输出控制模式
- 全面保护：短路/过温/过功率/输入欠压/输出过压
- 金属外壳结构，IP67防护等级
- 防雷等级：差模6kV，共模10kV
- 输出电流可通过外部调节
- Class I Structure
- Efficiency up to: 93.0%
- Constant current output control mode
- Comprehensive protection: Short circuit/over temperature/over power/ input under voltage/output over voltage
- Metal clad structure, IP67 protection level
- Lightning protection level: DM 6 kV, CM 10 kV
- The output current can be adjusted by an external potentiometer

安规认证/Safety Certification



应用领域/Application Field

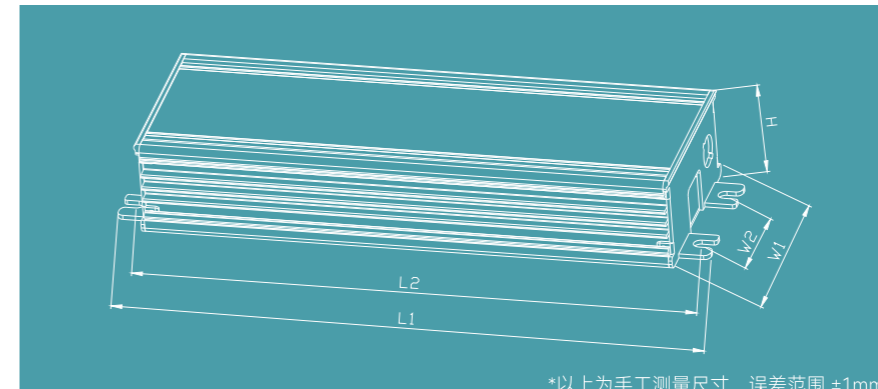
- 道路照明/Roadlight lighting
- 隧道照明/Tunnel lighting
- 植物照明/Plant lighting
- 场馆照明/Venue lighting
- 投光灯/Flood lamp

产品参数/Product Parameter

产品型号 Model	输入电压 Input Voltage	最大功率 Power	输出电压 Output Voltage	输出电流 Output current	效率 Efficiency	总谐波失真 T.H.D	功率因数 PF	产品尺寸 Size
HJ-W150-V56A-ME	120-277Vac	150W	25-56Vdc	2.08A-4.16A(3.12A)	91.0%	< 10%	≥0.97	185*63*32mm
HJ-W150-V56S-ME	120-277Vac	150W	25-56Vdc	2.08A-4.16A(3.12A)	91.0%	< 10%	≥0.97	185*63*32mm
HJ-W200-V56A-ME	120-277Vac	200W	25-56Vdc	2.78A-5.55A(4.16A)	91.5%	< 10%	≥0.97	198*63*32mm
HJ-W200-V56S-ME	120-277Vac	200W	25-56Vdc	2.78A-5.55A(4.16A)	91.5%	< 10%	≥0.97	198*63*32mm

产品参数/Product Parameter

产品型号 Model	输入电压 Input Voltage	最大功率 Power	输出电压 Output Voltage	输出电流 Output current	效率 Efficiency	总谐波失真 T.H.D	功率因数 PF	产品尺寸 Size
HJ-W240-V56A-ME	120-277Vac	240W	25-56Vdc	3.0A-6.0A(4.3A)	92.5%	< 10%	≥0.97	206*63*32mm
HJ-W240-V56S-ME	120-277Vac	240W	25-56Vdc	3.0A-6.0A(4.3A)	92.5%	< 10%	≥0.97	206*63*32mm
HJ-W320-V56A-ME	120-277Vac	320W	25-56Vdc	4.0A-8.0A(6.66A)	93.0%	< 10%	≥0.97	216*63*32mm
HJ-W320-V56S-ME	120-277Vac	320W	25-56Vdc	4.0A-8.0A(6.66A)	93.0%	< 10%	≥0.97	216*63*32mm



*以上为手工测量尺寸，误差范围±1mm

产品尺寸/Product Size(单位/Unit: MM)

	L1	L2	L3	W1	W2	H
150W	185	175	164.5	63	32	32
200W	198	188	177.5	63	32	32
240W	206	196	185.5	63	32	32
320W	206	196	185.5	63	32	32

A版本 (电位器调电流)
A Version (Potentiometer current regulation)

S版本 (三合一调光)
S version (3-in-1 dimming)

输入线材/Input Wire
φ6.8 0.75mm×400mm 3C

输出线材/Output Wire
SJOW φ7.2 1.0mm×300mm





免责声明 DISCLAIMER

Richmat 豪江 深圳豪江电源科技有限公司对本手册享有完全著作权，未经许可，任何组织及个人不得以任何理由盗用、印制、传播本手册任何内容。

Richmat Shenzhen Richmat Power Technology Co., LTD. has full copyright for this catalogue. Any unauthorized copy, print and spread is prohibited.

本手册内包含的电源等相应的配件，其所有权归深圳豪江电源科技有限公司所有，并已申请专利保护。

All products included in this catalogue is private property of Shenzhen Richmat Power Technology Co., LTD. It's applied for patent protection.

本公司拥有对手册内产品的修改、删减、增加的权利，其最终解释权归本公司所有。

Richmat Power has the right to modify, delete and add the products, and the final interpretation belongs to Richmat Power.

本手册所展示的产品内容，只涵盖本公司产品库有代表性的一小部分，若您希望了解更多的产品信息，敬请咨询您的销售顾问。

The content displayed in this manual covers only a small representative portion of our product catalog. For more information about our products, please consult your sales advisor.

更详细的产品内容，敬请访问官网：

<https://www.richmatpower.cn/>

For more detailed product content, please visit the official website:

<https://www.richmatpower.com/>