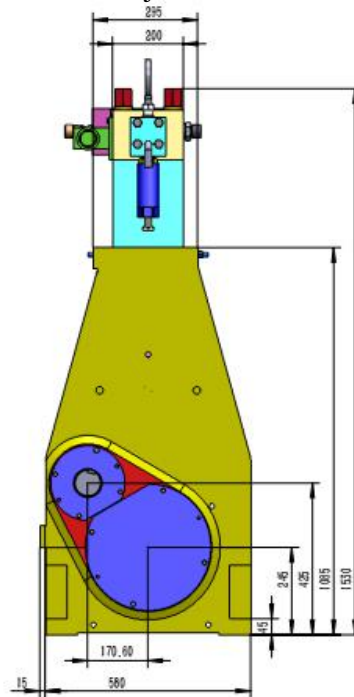
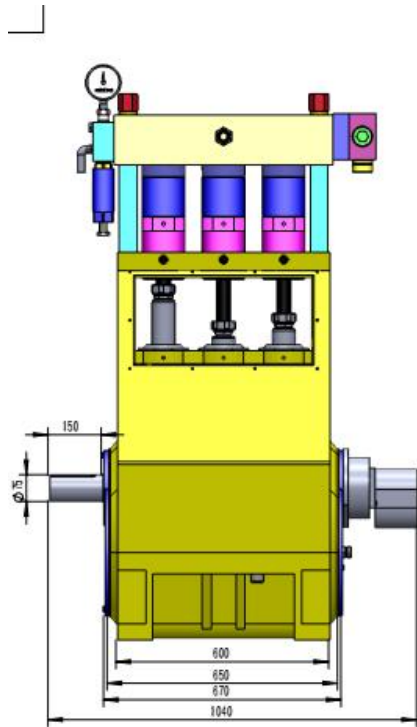


FJ45000 High Pressure Pump System

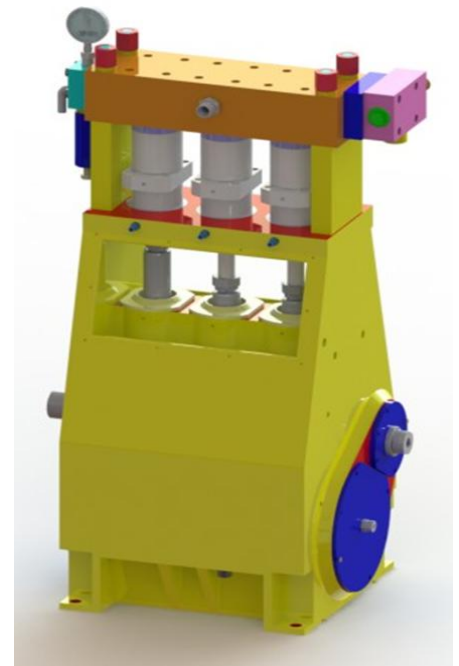
FJ45000 high pressure pumps are built to operate at the continuous maximum duty stated in the performance parameters. Just compare the crankshaft speed, average plunger speed, plunger diameter and power rating.

Standard inlet joint size: M64x2

Standard outlet joint size: M36x2



High Pressure Pump
Weight: approx. 1500 KG



Features

- ✧ Power ratings up to 450kw
- ✧ vertical 3 cylinder design
- ✧ Wide variety of complementary ancillaries

Quality and reliability

- ✧ Stainless steel pump head free of alternating stress
- ✧ Spring preloaded high pressure sealing make it longer life
- ✧ Solid solid ceramic plunger to ensure high strength and stable operation
- ✧ An integrated lubricating oil and piston cooling system to improve the service life.
- ✧ Built-in double gear reducer to make transmission balance higher efficiency
- ✧ Special design of the crankcase magnetic filter
- ✧ Crankcase forced lubrication system
- ✧ An integrated ball type liquid inlet valve design, greatly improving the efficiency of fluid mechanics.
- ✧ Computational fluid mechanics design in dynamic load to ensure the highest reliability under max duty working conditions.
- ✧ The crankshaft is made of a high strength forging process and is specially treated

Stationary unit with diesel engine

Length: 4500 mm

Width: 2000 mm

Height: 2400 mm

Weight: 7500 kg



FJ45000 High Pressure Pump System

FJ45000 series								Rod force	140KN
								Storke	120mm
Model	Plunger	Flow	Required power (kw)					D	r.p.m.
	Diameter		280kw	315kw	355kw	400kw	450kw	n1	n2
	(mm)	(l/min)	Operating pressure (bar)						
FJ45022	22	62	2300	2600	2900	3300	3500		
FJ45024	24	74	1900	2200	2400	2800	3100	1500	456
FJ45026	26	87	1600	1800	2100	2350	2600	1500	456
FJ45028	28	101	1400	1600	1800	2050	2300	1500	456
FJ45030	30	116	1250	1400	1600	1800	2000	1500	456
FJ45032	32	132	1100	1200	1400	1550	1700	1500	456
FJ45034	34	149	1000	1100	1200	1400	1500	1500	456
FJ45036	36	167	870	980	1100	1250	1400	1500	456
FJ45040	40	206	700	800	900	1000	1100	1500	456
FJ45045	45	261	550	620	700	800	900	1500	456
FJ45050	50	322	450	500	570	650	700	1500	456
FJ45055	55	390	370	420	470	530	600	1500	456
FJ45060	60	464	310	350	400	450	500	1500	456
FJ45065	65	544	260	300	330	380	430	1500	456
FJ45070	70	630	230	250	290	330	370	1500	456
FJ45075	75	725	200	220	250	280	320	1500	456
FJ45080	80	825	170	200	220	250	280	1500	456
FJ45085	85	930	150	170	220	220	250	1500	456
FJ45090	90	1040	130	150	170	200	220	1500	456
FJ45095	95	1160	120	140	160	180	200	1500	456
FJ45100	100	1290	110	120	140	160	180	1500	456
FJ45105	105	1420	100	110	130	150	160	1500	456
FJ45110	110	1560	90	100	120	130	150	1500	456

D=Piston/Plunger dia. [mm]

n1=Motor/Engine r.p.m

n2=Crankshaft r.p.m

N2 Plunger speed: 0.73m/s

Rod force:140KN

Storke: 120mm

Choice N2: 366

FJ45024~FJ45032: A type Fluid End, spring preload dynamic plastic seal, SS fluid end

FJ45030~FJ45055: B type Fluid End, spring preload packing seal, alloy steel & SS fluid end

FJ45060~FJ45110: C type Fluid End, spring preload packing seal, alloy steel fluid end

Conversion table: Rating 1kW=1.34HP

Op.pressure 1bar=14.5psi=0.1Mpa



Conversion efficiency of FJ high pressure pump can up to 92%~98%