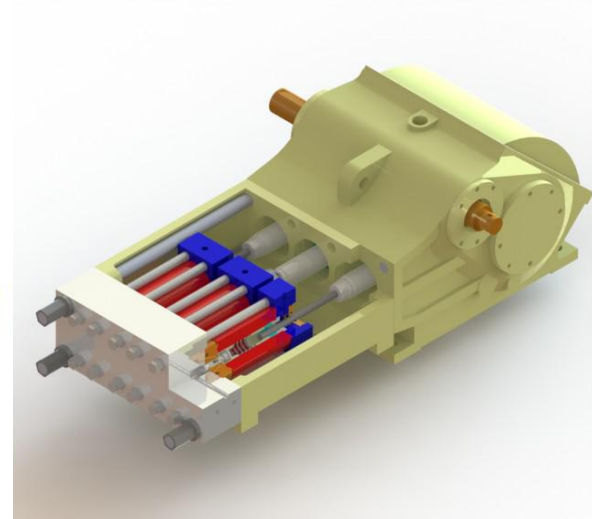


# FJ30000 High Pressure Pump System

FJ30000 high pressure pumps are built to operate at the continuous maximum duty stated in the performance parameters. Just compare the crankshaft speed, average plunger speed, plunger diameter and power rating.

High Pressure Pump  
Weight: approx. 880 KG

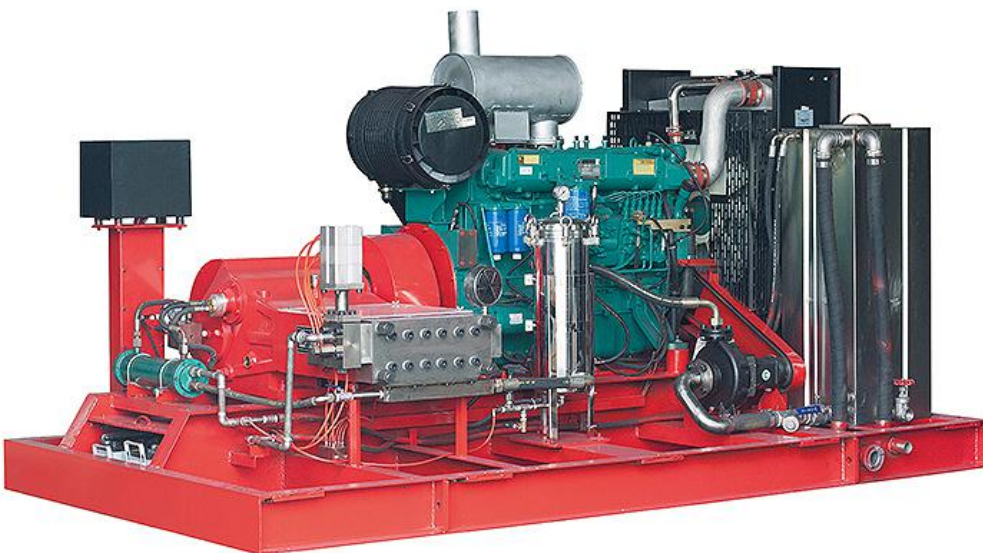


## Stationary unit with electric motor

Length: 2200 mm  
Width: 1600 mm  
Height: 1600 mm  
Weight: 1800 kg

## Stationary unit with diesel engine

Length: 3500 mm  
Width: 2000 mm  
Height: 2000 mm  
Weight: 2200 kg



Main dimensions without accessories such as suction line, pressure regulator etc.  
Detailed dimensional drawings and weights available on request.

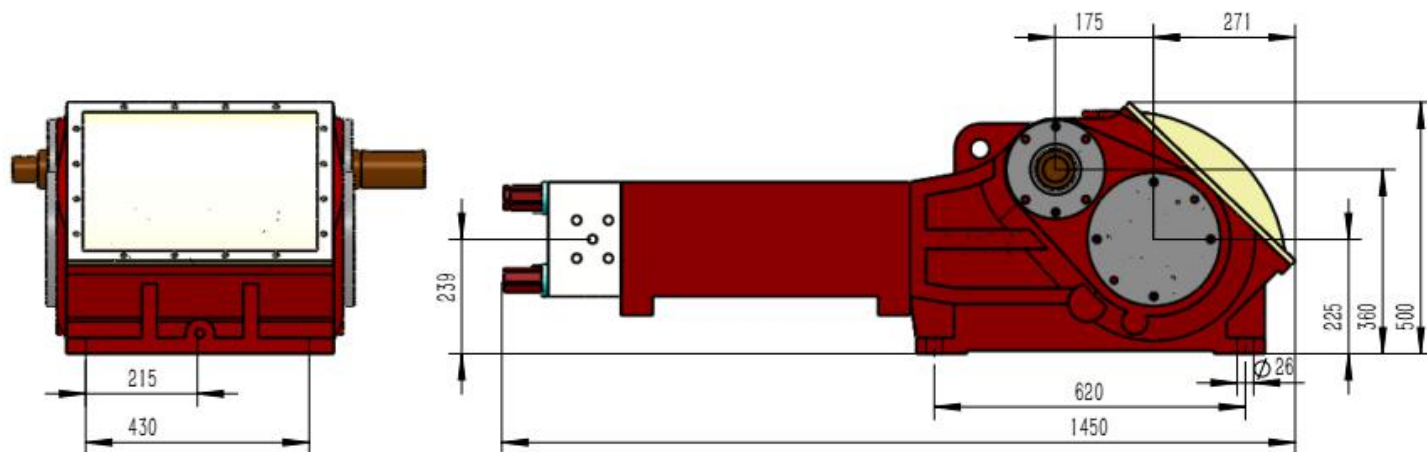
## Features

- ✧ Power ratings up to 300kw
- ✧ Horizontal 3 cylinder design
- ✧ Wide variety of complementary ancillaries

## Quality and reliability

- ✧ Stainless steel pump head free of alternating stress
- ✧ Spring preloaded high pressure sealing make it longer life
- ✧ Solid solid ceramic plunger to ensure high strength and stable operation
- ✧ An integrated lubricating oil and piston cooling system to improve the service life.
- ✧ Built-in double gear reducer to make transmission balance higher efficiency
- ✧ Special design of the crankcase magnetic filter
- ✧ Crankcase forced lubrication system
- ✧ An integrated ball type liquid inlet valve design, greatly improving the efficiency of fluid mechanics.
- ✧ Computational fluid mechanics design in dynamic load to ensure the highest reliability under max duty working conditions.
- ✧ The crankshaft is made of a high strength forging process and is specially treated

# FJ30000 High Pressure Pump System



Please contact Wuxi Hongyuan for more detail

Model	Plunger Diameter	Flow (l/min)	Required power (kw)				D n1	r.p.m. n2
			160kw	200kw	250kw	280kw		
			Operating pressure (bar)					
FJ30018	18	34	2400	2760			1500	366
FJ30020	20	41	1900	2400	2760		1500	366
FJ30022	22	50	1600	2000	2500	2800	1500	366
FJ30024	24	60	1350	1700	2100	2500	1500	366
FJ30026	26	70	1150	1430	1780	2000	1500	366
FJ30028	28	81	980	1200	1540	1800	1500	366
FJ30030	30	93	860	1100	1300	1600	1500	366
FJ30032	32	106	750	950	1180	1380	1500	366
FJ30034	34	120	680	850	1040	1200	1500	366
FJ30036	36	134	600	750	930	1080	1500	366
FJ30040	40	165	480	600	750	880	1500	366
FJ30045	45	209	380	500	590	700	1500	366
FJ30050	50	259	310	400	480	560	1500	366
FJ30055	55	313	250	320	400	470	1500	366
FJ30060	60	372	220	280	330	390	1500	366
FJ30065	65	437	180	220	280	330	1500	366
FJ30070	70	507	160	200	240	290	1500	366
FJ30075	75	582	140	170	210	250	1500	366

D=Piston/Plunger dia. [mm]

n1=Motor/Engine r.p.m

n2=Crankshaft r.p.m

N2 Plunger speed: 0.73m/s

Rod force:105KN

Stroke: 120mm

Choice N2: 439

FJ30018~FJ30028: A type Fluid End, spring preload dynamic plastic seal, SS fluid end

FJ30022~FJ30050: B type Fluid End, spring preload packing seal, alloy steel & SS fluid end

FJ30050~FJ30075: C type Fluid End, spring preload packing seal, alloy steel fluid end

Conversion table: Rating 1kW=1.34HP

Op.pressure 1bar=14.5psi=0.1Mpa



Conversion efficiency of FJ high pressure pump can up to 92%~98%