



JIANLIAN HOMECARE PRODUCTS CO., LTD

ADDRESS: DALI XIEBIAN INDUSTRIAL PARK,
NANHAI DISTRICT, FOSHAN CITY, GUANGDONG
PROVINCE, P.R. CHINA

TEL: 0086 757 85572413 / 0086 757 85563418

FAX: 0086 757 85565903

WEBSITE: www.gdjianlian.com

EMAIL: gdjianlian@gdjianlian.com

BUSINESS LINE: 0086 13927793133



2024-2025

**WHEELCHAIR COMMUNE ROLLATOR
WALKING STICK HOSPITAL BED...**



SINCE 1993



OEM,ODM CUSTOMIZED R&D

CERTIFICATES

CE FDA



COMPANY PROFILE

Firstly established in 1993, Jianlian Homecare Products CO., Ltd [at Xiebian, Dali Town, Nanhai, Foshan, Guangdong, China] is a professional manufacturer and exporter specializing in homecare rehabilitation products. The company is sitting on 2.5 acre of land with 9,000 square meters building area. There are over 200 employees including 20 managing staff and 30 technical staff. Jianlian has a strong team for new product development and significant manufacturing capacity.

The company has entered into homecare rehabilitation industry since 2008, and developed 9 categories of products consisting of over 200 different models, including steel wheelchair, aluminum wheelchair, commode chairs, shower benches, walking frame, crutches and homecare medical bed. These products have been widely sold in over 30 countries throughout the world. Our reputation has been further strengthened by a rigorous quality assurance system that is embedded into the entire manufacturing process to ensure all finished products meet our quality standards. Our company has been certified by the CE, and ISO 13485. In 2012, Jianlian Homecare commenced its sales in the Chinese domestic market and has been providing quality products and service to the clients. Furthermore, we designed customized products for people who have special needs, such as national disabled persons' federation, welfare fund and retirement village.

"The higher quality of the products, the more punctual delivery and comprehensive after-sale-service" is the characteristic of our company.

Jianlian Homecare is an expert for your personal homecare products, and we sincerely look forward to meeting you.

CONTENTS



1. RAW MATERIAL



2. CUTTING



3. PUNCHING



4. WELDING



5. ASSEMBLING



6. PACKING

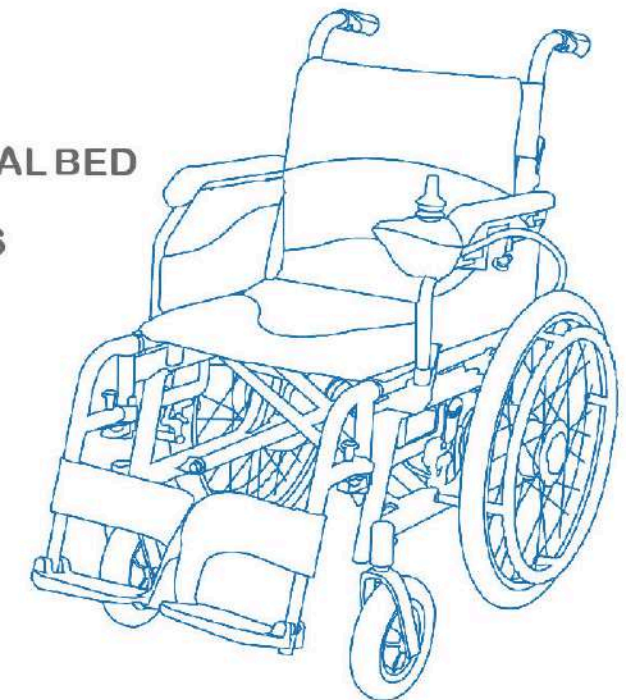


7. QC



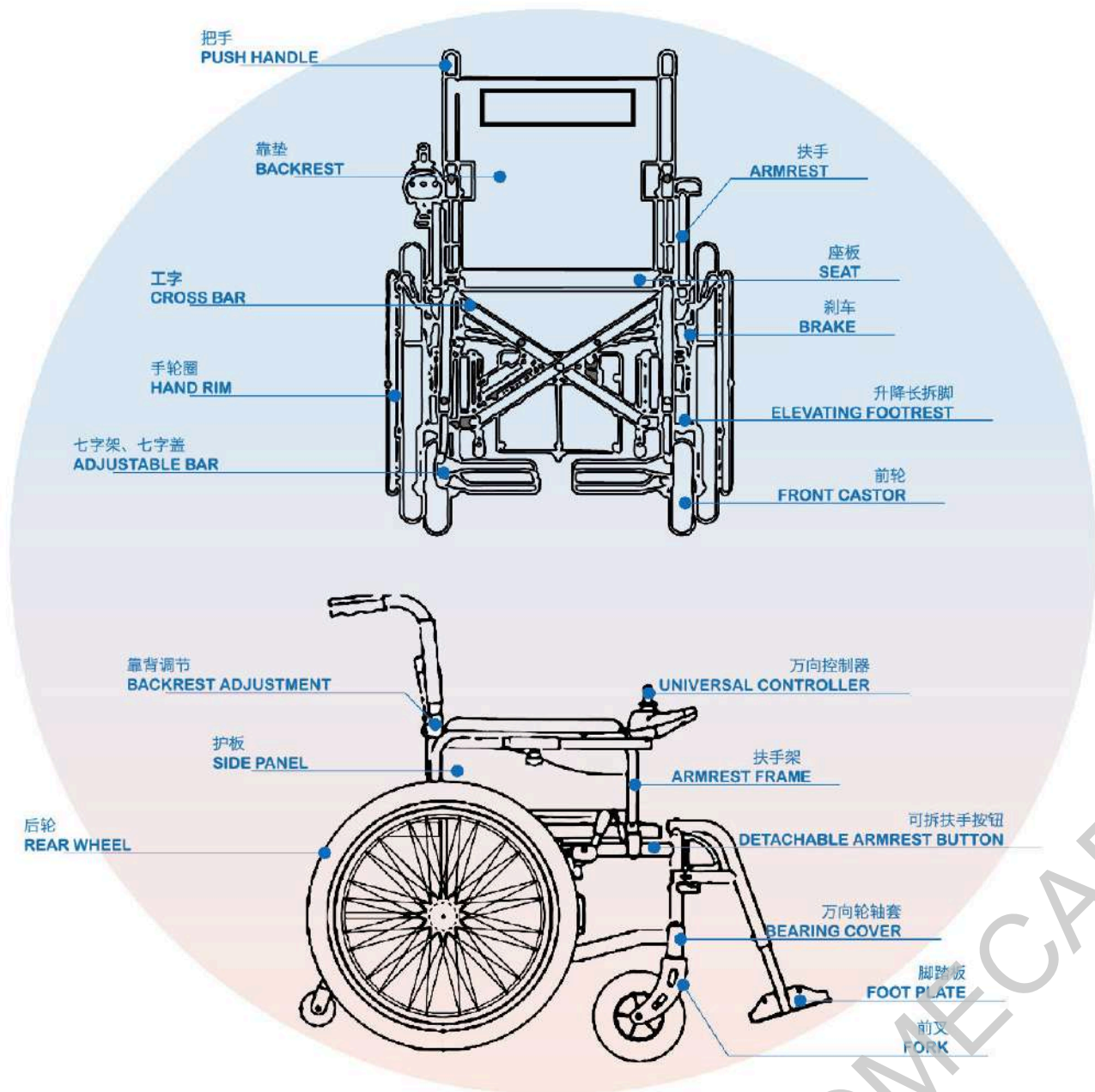
8. SHIPPING

| | |
|-------|------------------------------------|
| 02~10 | ALUMINIUM WHEELCHAIR |
| 11~12 | LEISURE & SPORTS WHEELCHAIR SERIES |
| 13~18 | ELECTRIC WHEELCHAIR |
| 19~24 | STEEL WHEELCHAIR |
| 25 | CEREBRAL PALSY WHEELCHAIR |
| 26~27 | COMMUNE WHEELCHAIR |
| 28 | TRANSFER CHAIR |
| 29~36 | COMMUNE |
| 37~42 | BATHROOM SAFETY SERIES |
| 43~48 | ROLLATOR |
| 49~54 | WALKER |
| 55~61 | WALKING STICK |
| 62 | BEDSIDE RAIL |
| 63~70 | TREATMENT BED & HOSPITAL BED |
| 71~79 | MEDICAL CARE PRODUCTS |
| 80 | COLOUR SAMPLE |
| 81~84 | SPARE PARTS |



WHEELCHAIR FUNCTION PICTURE

ALUMINUM WHEELCHAIR



JL907LABJ

ALUMINUM FRAME, FLIP-UP ARMREST, DETACHABLE FOOTREST, SOLID CASTOR, PNEUMATIC MAG REAR WHEEL WITH UNITED BRAKE, DROP BACK HANDLE



JL908LJ

ALUMINUM FRAME, FLIP-UP ARMREST, DETACHABLE FOOTREST, SOLID CASTOR, PNEUMATIC REAR WHEEL, WITH UNITED BRAKE



JL953LQ

ALUMINUM CHAIR FRAME, FLIP-UP DESK ARMREST, DETACHABLE FOOTREST, SOLID CASTOR, QUICK RELEASE PNEUMATIC REAR WHEEL, ANGLE-ADJUSTABLE FOOTPLATE



JL958LAQ

ALUMINUM FRAME & CROSS BRACE, FOLDABLE BACKREST, ADJUSTABLE ARMREST, SWING AWAY FOOTREST, PLASTIC BLACK FOOTREST WITH HEEL LOOP, 6" CASTOR & 24" QUICK SPOKE WHEEL

WHEELCHAIR MODEL FUNCTION CODE

- A: DROP BACK HANDLE
- B: MAG WHEEL
- C: ELEVATING LEGREST
- G: RECLINING HIGH BACK
- H: DRUM BRAKE
- J: UNITED BRAKE
- L: ALUMINUM
- S: STAINLESS STEEL
- X: INCLINED ARMREST
- Y: HARD SEAT CUSHION
- Q: QUICK RELEASE

- (-35): SEAT WIDTH 35cm(14")
- (-41): SEAT WIDTH 41cm(16")
- (-43): SEAT WIDTH 43cm(17")
- (-46): SEAT WIDTH 46cm(18")
- (-51): SEAT WIDTH 51cm(20")
- (-56): SEAT WIDTH 56cm(22")
- (-61): SEAT WIDTH 61cm(24")



| MODEL | UNFOLDED WIDTH | FOLDED WIDTH | SEAT WIDTH | TOTAL HEIGHT | SEAT HEIGHT | REAR WHEEL DIA | FRONT WHEEL DIA | TOTAL LENGTH | SEAT DEPTH | BACKREST HEIGHT | WEIGHT CAP(KG) | NW(KG) | GW(KG) | CARTON SIZE (CM) | PCS/CN | 20" FCL (PCS) | 40" FCL (PCS) |
|-----------|----------------|--------------|------------|--------------|-------------|----------------|-----------------|--------------|------------|-----------------|----------------|--------|--------|------------------|--------|---------------|---------------|
| JL907LABJ | 61 | 25 | 46 | 92 | 51 | 16" | 6" | 104 | 41 | 42 | 100 | 14 | 16 | 78*28*75 | 1 | 170 | 415 |
| JL908LJ | 61 | 26 | 46 | 88 | 48 | 22" | 6" | 104 | 41 | 38 | 100 | 12 | 14.8 | 82*27*88 | 1 | 140 | 345 |
| JL953LQ | 66 | 25 | 46 | 90 | 52 | 24" | 6" | 100 | 40 | 38 | 100 | 14 | 15.8 | 80*28*91 | 1 | 130 | 330 |
| JL958LAQ | 67 | 31 | 45 | 94 | 49 | 24" | 6" | 98 | 42 | 42 | 100 | 14.5 | 16.5 | 80*35.5*76 | 1 | 125 | 310 |

ALUMINUM WHEELCHAIR



JL955L

ALUMINUM FRAME, FLIP-UP INCLINED ARMREST, DETACHABLE FOOTREST, SOLID CASTOR, PNEUMATIC REAR WHEEL



JL957LQ

ALUMINUM FRAME, FLIP-UP HEIGHT-ADJUSTABLE INCLINED ARMREST, DETACHABLE FOOTREST, SOLID CASTOR, QUICK RELEASE PNEUMATIC REAR WHEEL, WITH CARRYING AND ANTI WHEEL



JL868LJ

ALUMINUM FRAME, FIXED INCLINED ARMREST, FIXED FOOTREST, SOLID CASTOR, PNEUMATIC REAR WHEEL, UNITED BRAKE



JL806LB

ALUMINUM FRAME, FIXED ARMRESTS, FIXED UPTURNED FOOTRESTS, 22 INCH PNEUMATIC MAG REAR WHEEL



JL950LQ

ALUMINUM CHAIR FRAME, QUICK RELEASE PU MAG REAR WHEEL, SOLID CASTOR, DETACHABLE FOOTREST, FLIP-UP AND HEIGHT-ADJUSTABLE ARMREST, ANTI-TIPPERS, ANGLE-ADJUSTABLE FOOTPLATE



JL952LCQ

ALUMINUM FRAME, ANGLE-ADJUSTABLE FOOTPLATE, QUICK RELEASE PNEUMATIC REAR WHEEL, FLIP-UP AND HEIGHT-ADJUSTABLE ARMREST, PU CASTOR, WITH CARRYING WHEEL, DETACHABLE FOOTREST



JL807LAJ

ALUMINUM LIGHT WEIGHT CHAIR FRAME, FIXED ARMREST, FIXED FOOTREST, SOLID CASTOR, PNEUMATIC REAR WHEEL, DROP BACK HANDLE, LOCKING UNITED BRAKE



JL808L

ALUMINUM LIGHT WEIGHT CHAIR FRAME, FIXED ARMREST, FIXED FOOTREST, SOLID CASTOR, PNEUMATIC REAR WHEEL

| MODEL | UNFOLDED WIDTH | FOLDED WIDTH | SEAT WIDTH | TOTAL HEIGHT | SEAT HEIGHT | REAR WHEEL DIA | FRONT WHEEL DIA | TOTAL LENGTH | SEAT DEPTH | BACKREST HEIGHT | WEIGHT CAP(KG) | NW(KG) | GW(KG) | CARTON SIZE (CM) | PCS/CN | 20' FCL (PCS) | 40' FCL (PCS) |
|----------|----------------|--------------|------------|--------------|-------------|----------------|-----------------|--------------|------------|-----------------|----------------|--------|--------|------------------|--------|---------------|---------------|
| JL955L | 64 | 28.5 | 45 | 88 | 49 | 24" | 6" | 107 | 42 | 39 | 100 | 16.5 | 18.5 | 84.5*29.5*91.5 | 1 | 120 | 295 |
| JL957LQ | 64 | 28.5 | 45 | 88 | 49 | 24" | 6" | 107 | 42 | 39 | 100 | 16.5 | 18.5 | 84.5*29.5*91.5 | 1 | 120 | 295 |
| JL950LQ | 66 | 28 | 46 | 91 | 51 | 24" | 6" | 100 | 40 | 38 | 100 | 16.3 | 19.4 | 80*34*93 | 1 | 110 | 265 |
| JL952LCQ | 66 | 28 | 46 | 91 | 51 | 24" | 6" | 109 | 40 | 40 | 100 | 17.7 | 20.5 | 80*34*93 | 1 | 110 | 265 |

| MODEL | UNFOLDED WIDTH | FOLDED WIDTH | SEAT WIDTH | TOTAL HEIGHT | SEAT HEIGHT | REAR WHEEL DIA | FRONT WHEEL DIA | TOTAL LENGTH | SEAT DEPTH | BACKREST HEIGHT | WEIGHT CAP(KG) | NW(KG) | GW(KG) | CARTON SIZE (CM) | PCS/CN | 20' FCL (PCS) | 40' FCL (PCS) |
|----------|----------------|--------------|------------|--------------|-------------|----------------|-----------------|--------------|------------|-----------------|----------------|--------|--------|------------------|--------|---------------|---------------|
| JL868LJ | 61 | 23 | 44 | 89 | 49 | 22" | 6" | 100 | 42 | 39 | 100 | 12.5 | 14.6 | 99*23*89 | 1 | 135 | 335 |
| JL806LB | 56 | 28 | 40 | 89 | 50 | 22" | 6" | 96 | 42 | 38 | 100 | 11.5 | 13.5 | 78.5*33*92 | 1 | 115 | 280 |
| JL807LAJ | 61 | 23 | 46 | 92 | 49 | 20" | 6" | 91 | 42 | 44 | 100 | 11.7 | 14 | 82*28*76 | 1 | 155 | 385 |
| JL808L | 61 | 23 | 46 | 87 | 45 | 24" | 6" | 95 | 40 | 39 | 100 | 10.7 | 12.7 | 94*28*90 | 1 | 115 | 285 |

ALUMINUM WHEELCHAIR



JL869LX

ALUMINUM FRAME, FIXED INCLINED ARMREST, FIXED FOOTREST, SOLID CASTOR, SOLID REAR WHEEL



JL834LAJ

ALUMINUM FRAME, FIXED ARMREST, FLIP-UP FOOTREST, SOLID CASTOR, SOLID REAR WHEEL WITH UNITED BRAKE, DROP BACK HANDLE



JL8631LAJ-20

ALUMINUM FRAME, FIXED ARMREST, ELEVATING FOOTREST, SOLID CASTOR, SOLID REAR WHEEL, STEEL BRAKE, WITH UNITED BRAKE



JL8631LAJ-12

ALUMINUM FRAME, FIXED ARMREST, ELEVATING FOOTREST, SOLID CASTOR, SOLID REAR WHEEL, STEEL BRAKE, WITH UNITED BRAKE



JL839LAJ

ALUMINUM FRAME, FIXED ARMREST, FIXED FOOTREST, SOLID CASTOR, SOLID REAR WHEEL WITH UNITED BRAKE



JL838LXAJ

ALUMINUM FRAME, ALUMINUM POLISH FRAME, FIXED ARMREST, FIXED FOOTREST, DROP BACK HANDLE



JL8630LAJ-20

ALUMINUM FRAME, DROP BACK HANDLE, FIXED ARMREST, FLIP-UP FOOTREST, SOLID CASTOR, SOLID REAR WHEEL, WITH UNITED BRAKE



JL8630LAJ-12

ALUMINUM WHEELCHAIR WITH FOLDABLE BACKREST, FIXED ARMREST, FOLDABLE FOOTREST, UNITED BRAKE

| MODEL | UNFOLDED WIDTH | FOLDED WIDTH | SEAT WIDTH | TOTAL HEIGHT | SEAT HEIGHT | REAR WHEEL DIA | FRONT WHEEL DIA | TOTAL LENGTH | SEAT DEPTH | BACKREST HEIGHT | WEIGHT CAP(KG) | NW(KG) | GW(KG) | CARTON SIZE (CM) | PCS/CN | 20" FCL (PCS) | 40" FCL (PCS) |
|-----------|----------------|--------------|------------|--------------|-------------|----------------|-----------------|--------------|------------|-----------------|----------------|--------|--------|------------------|--------|---------------|---------------|
| JL869LX | 61 | 23 | 44 | 89 | 49 | 24" | 8" | 100 | 42 | 39 | 100 | 12.5 | 14.6 | 99*23*89 | 1 | 135 | 330 |
| JL834LAJ | 66 | 29 | 45 | 92 | 49 | 22" | 6" | 100 | 41 | 39 | 100 | 12 | 13.5 | 77*30*74.5 | 1 | 155 | 390 |
| JL839LAJ | 69 | 28.5 | 45 | 90 | 50 | 24" | 8" | 101 | 41 | 39 | 100 | 14 | 16.2 | 92*29.5*92 | 1 | 105 | 260 |
| JL838LXAJ | 61 | 23 | 46 | 87 | 45 | 24" | 8" | 95 | 40 | 39 | 100 | 10.7 | 12.7 | 94*28*90 | 1 | 115 | 285 |

| MODEL | UNFOLDED WIDTH | FOLDED WIDTH | SEAT WIDTH | TOTAL HEIGHT | SEAT HEIGHT | REAR WHEEL DIA | FRONT WHEEL DIA | TOTAL LENGTH | SEAT DEPTH | BACKREST HEIGHT | WEIGHT CAP(KG) | NW(KG) | GW(KG) | CARTON SIZE (CM) | PCS/CN | 20" FCL (PCS) | 40" FCL (PCS) |
|--------------|----------------|--------------|------------|--------------|-------------|----------------|-----------------|--------------|------------|-----------------|----------------|--------|--------|------------------|--------|---------------|---------------|
| JL8631LAJ-20 | 65 | 28 | 46 | 91 | 49 | 20" | 6" | 102 | 38 | 44 | 100 | 12.3 | 14.5 | 80*30*72 | 1 | 155 | 390 |
| JL8631LAJ-12 | 61 | 28 | 46 | 91 | 45.5 | 12" | 6" | 96 | 36 | 46 | 100 | 10.5 | 12.5 | 73*29*70 | 1 | 185 | 455 |
| JL8630LAJ-20 | 65 | 28 | 46 | 91 | 49 | 20" | 6" | 102 | 38 | 44 | 100 | 12.3 | 14.5 | 80*30*72 | 1 | 155 | 390 |
| JL8630LAJ-12 | 61 | 28 | 46 | 91 | 45.5 | 12" | 6" | 96 | 36 | 46 | 100 | 10.5 | 12.5 | 73*29*70 | 1 | 185 | 455 |

ALUMINUM WHEELCHAIR



JL8632LAJ - 46

ALUMINUM FRAME, FIXED ARMREST, FLIP-UP FOOTREST, SOLID CASTOR, SOLID REAR WHEEL WITH UNITED BRAKE, FOLDABLE HANDLE TUBE



JL976LABJ

ALUMINUM FRAME, FIXED ARMREST, DETACHABLE FOOTREST, SOLID CASTOR, SOLID REAR WHEEL WITH UNITED BRAKE, FOLDABLE HANDLE TUBE



JL9006L

ALUMINUM FRAME, FLIP-UP ARMREST, FLIP-UP FOOTREST, SOLID CASTOR, PNEUMATIC REAR WHEEL, WITH UNITED BRAKE



JL9007L

ALUMINUM FRAME, FLIP-UP ARMREST, ELEVATING FOOTREST, RUBBER CASTOR, RUBBER REAR WHEEL, STEEL BRAKE, WITH UNITED BREKE



JL832LABJ

ALUMINUM FRAME, FIXED ARMREST, FLIP-UP FOOTREST SOLID CASTOR, PNEUMATIC MAG REAR WHEEL, DROP BACK HANDLE, WITH UNITED BRAKE



JL879LAJ

ALUMINUM LIGHT WEIGHT CHAIR FRAME, FIXED ARMREST, FLIP UP FOOTREST, SOLID CASTOR, PNEUMATIC REAR WHEEL, DROP BACK HANDLE, WITH UNITED BRAKE.



JL9008L

ALUMINUM FRAME, FLIP-UP ARMREST, ELEVATING FOOTREST, RUBBER CASTOR, RUBBER REAR WHEEL, STEEL BRAKE, WITH UNITED BREKE



JL9009L

ALUMINUM FRAME, FLIP-UP ARMREST, ELEVATING FOOTREST, RUBBER CASTOR, RUBBER REAR WHEEL, STEEL BRAKE, WITH UNITED BREKE

| MODEL | UNFOLDED WIDTH | FOLDED WIDTH | SEAT WIDTH | TOTAL HEIGHT | SEAT HEIGHT | REAR WHEEL DIA | FRONT WHEEL DIA | TOTAL LENGTH | SEAT DEPTH | BACKREST HEIGHT | WEIGHT CAP(KG) | NW(KG) | GW(KG) | CARTON SIZE (CM) | PCS/CN | 20" FCL (PCS) | 40" FCL (PCS) |
|--------------|----------------|--------------|------------|--------------|-------------|----------------|-----------------|--------------|------------|-----------------|----------------|--------|--------|------------------|--------|---------------|---------------|
| JL8632LAJ-46 | 63 | 34 | 46 | 94 | 45 | 20" | 6" | 95 | 39 | 44 | 100 | 10 | 11.6 | 74*34*69.5 | 1 | 150 | 380 |
| JL976LABJ | 57 | 24 | 42 | 98.5 | 54 | 8" | 8" | 98 | 43 | 37 | 100 | 9.6 | 11.6 | 62*25*83 | 1 | 160 | 390 |
| JL832LABJ | 64 | 25 | 45 | 91 | 50 | 12" | 6" | 89 | 43 | 40 | 100 | 10.5 | 12.5 | 65*26*77 | 1 | 210 | 520 |
| JL879LAJ | 65 | - | 46 | 87 | 49 | 14" | 7" | - | - | - | 100 | 10.3 | 12.5 | 72*30*72 | 1 | 175 | 425 |

| MODEL | UNFOLDED WIDTH | FOLDED WIDTH | SEAT WIDTH | TOTAL HEIGHT | SEAT HEIGHT | REAR WHEEL DIA | FRONT WHEEL DIA | TOTAL LENGTH | SEAT DEPTH | BACKREST HEIGHT | WEIGHT CAP(KG) | NW(KG) | GW(KG) | CARTON SIZE (CM) | PCS/CN | 20" FCL (PCS) | 40" FCL (PCS) |
|---------|----------------|--------------|------------|--------------|-------------|----------------|-----------------|--------------|------------|-----------------|----------------|--------|--------|------------------|--------|---------------|---------------|
| JL9006L | 56.5 | 38 | 41 | 83 | 46.5 | 12" | 6" | 88 | 43.5 | 36.5 | 100 | 9.6 | 11.3 | 83.5*38*56.5 | 1 | 155 | 375 |
| JL9007L | 47.5 | 29 | 40 | 88 | 48 | 8" | 6" | 75 | 40 | 38 | 100 | 7 | 9.8 | 48*29*75 | 1 | 260 | 650 |
| JL9008L | 54 | 32 | 39 | 89 | 52 | 12" | 6" | 81 | 37 | 32 | 100 | 6.8 | 9.3 | 59*29*82 | 1 | 240 | 600 |
| JL9009L | 54 | 32 | 39 | 89 | 52 | 12" | 6" | 81 | 37 | 32 | 100 | 7.9 | 10 | 55*33*85 | 1 | 235 | 620 |

ALUMINUM WHEELCHAIR



JL9004L

TRANSIT WHEELCHAIR, ALUMINUM LIGHT WEIGHT CHAIR FRAME, 6" SOLID MAG REAR WHEEL, 5" SOLID CASTOR, FLIP-UP ARMREST, FLIP-UP FOOTREST, WITH DROP BACK HANDLE AND SEAT BELT



JL9003LAJ

TRANSIT WHEELCHAIR, ALUMINUM LIGHT WEIGHT CHAIR FRAME, 8" SOLID MAG REAR WHEEL, 5" SOLID CASTOR, FLIP-UP ARMREST AND FOOTREST, DROP BACK HANDLE, WITH UNITED BRAKE AND SEAT BELT



JL9002LABJ

ALUMINUM FRAME, FLIP-UP ARMREST, FLIP-UP FOOTREST, PU CASTOR, PU REAR WHEEL, WITH UNITED BRAKE, DROP BACK HANDLE



JL9001LJ

ALUMINUM FOLDABLE FRAME, FLIP-UP ARMREST, FOLDABLE FOOTREST, SOLID CASTOR, SOLID REAR WHEEL, WITH UNITED BRAKE AND SAFETY BELT

| MODEL | UNFOLDED WIDTH | FOLDED WIDTH | SEAT WIDTH | TOTAL HEIGHT | SEAT HEIGHT | REAR WHEEL DIA | FRONT WHEEL DIA | TOTAL LENGTH | SEAT DEPTH | BACKREST HEIGHT | WEIGHT CAP (KG) | NW (KG) | GW (KG) | CARTON SIZE (CM) | PCS/CN | 20" FCL (PCS) | 40" FCL (PCS) |
|------------|----------------|--------------|------------|--------------|-------------|----------------|-----------------|--------------|------------|-----------------|-----------------|---------|---------|------------------|--------|---------------|---------------|
| JL9004L | 37 | 19 | 32 | 87 | 45 | 6" | 5" | 77 | 37 | 40 | 100 | 7 | 8.1 | 53*24*62 | 1 | 345 | 850 |
| JL9003LAJ | 45 | 20 | 37 | 88 | 45 | 8" | 6" | 84 | 30 | 38 | 100 | 7.2 | 9.4 | 75*25*66 | 1 | 220 | 550 |
| JL9002LABJ | 44 | 21 | 37 | 79 | 43 | 8" | 6" | 83 | 30 | 33 | 100 | 7.9 | 9.2 | 72*24*70 | 1 | 225 | 560 |
| JL9001LJ | 51 | 32 | 37 | 90 | 45 | 8" | 5" | 97 | 33 | 35 | 100 | 6.9 | 8.4 | 52*32*70 | 1 | 230 | 580 |

ALUMINUM WHEELCHAIR



JL883LABJ

PEDIATRIC WHEELCHAIR, ALUMINUM CHAIR FRAME, DROP BACK HANDLE, FIXED ARMREST, FIXED FOOTREST, SOLID CASTOR, PNEUMATIC REAR WHEEL, WITH UNITED BRAKE AND SEAT BELT



JL874LAJ-30

PEDIATRIC WHEELCHAIR, ALUMINUM CHAIR FRAME, FIXED ARMREST, FIXED FOOTREST, SOLID CASTOR, PNEUMATIC REAR WHEEL, DROP BACK HANDLE, WITH UNITED BRAKE



JL980LA-35

ALUMINUM FRAME, FLIP-UP ARMREST, FIXED FOOTREST, SOLID CASTOR, PNEUMATIC REAR WHEEL, DROP BACK HANDLE



JL974LA-35

PEDIATRIC WHEELCHAIR, ALUMINUM CHAIR FRAME, FIXED ARMREST, DETACHABLE FOOTREST, DROP BACK HANDLE, PNEUMATIC REAR WHEEL, SOLID CASTOR, ANTI-TIPPER

| MODEL | UNFOLDED WIDTH | FOLDED WIDTH | SEAT WIDTH | TOTAL HEIGHT | SEAT HEIGHT | REAR WHEEL DIA | FRONT WHEEL DIA | TOTAL LENGTH | SEAT DEPTH | BACKREST HEIGHT | WEIGHT CAP (KG) | NW (KG) | GW (KG) | CARTON SIZE (CM) | PCS/CN | 20" FCL (PCS) | 40" FCL (PCS) |
|-------------|----------------|--------------|------------|--------------|-------------|----------------|-----------------|--------------|------------|-----------------|-----------------|---------|---------|------------------|--------|---------------|---------------|
| JL883LABJ | 49 | 30.5 | 30 | 90 | 49 | 22" | 6" | 87 | 38 | 39 | 100 | 10.5 | 12.2 | 88*30.5*68.5 | 1 | 175 | 425 |
| JL874LAJ-30 | 52.5 | 33.5 | 30 | 87.5 | 44 | 22" | 6" | 87 | 36 | 39 | 100 | 10 | 11.7 | 77.5*33.5*74 | 1 | 185 | 455 |
| JL980LA-35 | 50 | 30 | 35 | 93 | 49 | 22" | 6" | 106 | 42 | 42 | 100 | 12.7 | 14.2 | 87*33*70 | 1 | 135 | 335 |
| JL974LA-35 | 53 | 28 | 35 | 93 | 42 | 22" | 3" | 93 | 39 | 37 | 100 | 13.8 | 16 | 69*33*66 | 1 | 180 | 450 |



JL710LQ

SPORTY DESIGN WITH A LIGHT WEIGHT FRAME , BREATHABLE,COMFORTABLE CUSHION,FOLDABLE FRAME,FOOT PAD HEIGHT CAN BE ADJUST



JL715LQ

LIQUID COATED LIGHT WEIGHT ALUMINUM FRAME,FOLDABLE FRAME,COMFORTABLE NYLON CUSHION SEAT



JL724LQ-36

LIQUID COATED LIGHTWEIGHT ALUMINUM FRAME,FOLDABLE FRAME,COMFORTABLE NYLON CUSHION SEAT



JL721LQ-36

LIQUID COATED LIGHTWEIGHT ALUMINUM FRAME,FOLDABLE FRAME,COMFORTABLE NYLON CUSHION SEAT



JL720LQ

ALUMINUM FRAME & CROSS BRACE, ADJUSTABLE ARMREST,PLASTIC BLACK FOOTREST WITH HEEL LOOP, 4"CASTOR & 24"QUICK SPOKE WHEEL WITH PU TYRE



JL730LQ

LIQUID COATED LIGHT WEIGHT ALUMINUM FRAME,FOLDABLE FRAME,COMFORTABLE NYLON CUSHION SEAT



JL722LQ-36

LIQUID COATED LIGHTWEIGHT ALUMINUM FRAME,FOLDABLE FRAME,COMFORTABLE NYLON CUSHION SEAT



JL724LQ-38

LIQUID COATED LIGHTWEIGHT ALUMINUM FRAME,FOLDABLE FRAME,COMFORTABLE NYLON CUSHION SEAT

| MODEL | UNFOLDED WIDTH | FOLDED WIDTH | SEAT WIDTH | TOTAL HEIGHT | SEAT HEIGHT | REAR WHEEL DIA | FRONT WHEEL DIA | TOTAL LENGTH | SEAT DEPTH | BACKREST HEIGHT | WEIGHT CAP(KG) | NW(KG) | GW(KG) | CARTON SIZE (CM) | PCS/CN | 20' FCL (PCS) | 40' FCL (PCS) |
|---------|----------------|--------------|------------|--------------|-------------|----------------|-----------------|--------------|------------|-----------------|----------------|--------|--------|------------------|--------|---------------|---------------|
| JL710LQ | 57 | - | 38 | 78 | 48 | 24" | 4" | 85 | - | - | 120 | 11 | 13 | 86*34*79.5 | 1 | 118 | 290 |
| JL715LQ | 58 | - | 38 | 75 | 43 | 24" | 4" | 85 | - | - | 100 | 12 | 14.6 | 86*34*79.5 | 1 | 118 | 290 |
| JL720LQ | 59 | - | 38 | 72 | 43 | 24" | 4" | 84 | - | - | 100 | 10.8 | 13 | 87*36*73 | 1 | 121 | 295 |
| JL730LQ | 67 | - | 38 | 77 | 43 | 24" | 4" | 84 | - | - | 100 | 10.8 | 11.8 | 76*62*50 | 1 | 116 | 283 |

| MODEL | UNFOLDED WIDTH | FOLDED WIDTH | SEAT WIDTH | TOTAL HEIGHT | SEAT HEIGHT | REAR WHEEL DIA | FRONT WHEEL DIA | TOTAL LENGTH | SEAT DEPTH | BACKREST HEIGHT | WEIGHT CAP(KG) | NW(KG) | GW(KG) | CARTON SIZE (CM) | PCS/CN | 20' FCL (PCS) | 40' FCL (PCS) |
|------------|----------------|--------------|------------|--------------|-------------|----------------|-----------------|--------------|------------|-----------------|----------------|--------|--------|------------------|--------|---------------|---------------|
| JL724LQ-36 | 56 | - | 36 | 76 | 48 | 24" | 4" | 83 | - | - | 100 | 8 | 11 | 87*36*79 | 1 | 110 | 270 |
| JL721LQ-36 | 58 | - | 36 | 72 | 48 | 24" | 4" | 83 | - | - | 100 | 11.6 | 13.6 | 87*36*73 | 1 | 120 | 295 |
| JL722LQ-36 | 57 | - | 36 | 72 | 48 | 24" | 4" | 84 | - | - | 100 | 11.6 | 13.6 | 87*36*76 | 1 | 110 | 270 |
| JL724LQ-38 | 53 | - | 38 | 80 | 50 | 24" | 4" | 85 | - | - | 100 | 12.5 | 14.5 | 85*30*83 | 1 | 130 | 320 |

ELECTRIC WHEELCHAIR



JLD00301

FOLDABLE ALUMINUM ALLOY FRAME, HIGH-EFFICIENCY ENERGY-SAVING POWERFUL MOTOR, INTELLIGENT ELECTROMAGNETIC BRAKE, MANUAL/ELECTRIC MODE ONE-KEY SWITCH, EASY TO FOLD AND PORTABLE



JLD00303

FOLDABLE HIGH-STRENGTH IRON FRAME, BREATHABLE AND COMFORTABLE CUSHION, ERGONOMIC DESIGN AND COMFORTABLE HANDLE, DETACHABLE FOOT PEDAL



JL138L

POWDER COATING ALUMINUM FRAME, FLIP-UP ARMREST, DETACHABLE FOOTREST, PU CASTOR, PU DRIVE WHEEL, GEL LEAD ACID BATTERY, DROP BACK HANDLE, FOLDABLE CHAIR FRAME



JL110A

ELECTRIC WHEELCHAIR WITH STEEL FRAME, DETACHABLE FOOTREST, 8" PU CASTOR, 12" PU WHEEL



JL102

STEEL FRAME, FIXED FOOTREST, FLIP-DOWN ARMREST, BRAKE MOTOR DRIVE



JLD00302

ALUMINUM FRAME, FRONT AND REAR WHEELS WITH SHOCK ABSORPTION FUNCTION, INFLATABLE REAR WHEELS FOR GOOD COMFORT, ELECTRIC ADJUSTMENT OF FOOT REST AND BACKREST ANGLE, MULTIFUNCTIONAL CONTROLLER WITH LCD DISPLAY



JL1008

POWER ELECTRIC WHEELCHAIR, DETACHABLE FOOTREST AND FOLDABLE BACKREST, SOLID CASTOR DRIVE WHEEL



JL1009

POWER ELECTRIC WHEELCHAIR, FOLDABLE BACKREST, DETACHABLE PEDAL, 8" CASTOR, 20" REAR WHEEL

| MODEL | UNFOLDED WIDTH | FOLDED WIDTH | SEAT WIDTH | TOTAL HEIGHT | SEAT HEIGHT | REAR WHEEL DIA | FRONT WHEEL DIA | TOTAL LENGTH | SEAT DEPTH | BACKREST HEIGHT | WEIGHT CAP (KG) | NW (KG) | GW (KG) | CARTON SIZE (CM) | PCS/CN | 20" FCL (PCS) | 40" FCL (PCS) |
|----------|----------------|--------------|------------|--------------|-------------|----------------|-----------------|--------------|------------|-----------------|-----------------|---------|---------|------------------|--------|---------------|---------------|
| JLD00301 | 64 | 30 | 46 | 92 | 53 | 10" | 8" | 97 | 42.5 | 38 | 100 | 21 | 23.5 | 93*33*77 | 1 | 115 | 285 |
| JLD00303 | 63 | 34 | 45 | 97 | 52 | 12" | 8" | 108 | 43 | 43 | 135 | 50.3 | 58 | 87*32*81 | 1 | 120 | 300 |
| JL102 | 66 | 37 | 41 | 92 | 50 | 12" | 8" | 83 | 26 | 40 | 100 | 38 | 40.4 | 88*47*93 | 1 | 70 | 175 |
| JLD00302 | 68 | 39 | 46 | 124 | 51 | 10" | 16" | 112 | 43 | | 100 | 36 | 43.5 | 94*41*82 | 1 | 85 | 210 |

| MODEL | UNFOLDED WIDTH | FOLDED WIDTH | SEAT WIDTH | TOTAL HEIGHT | SEAT HEIGHT | REAR WHEEL DIA | FRONT WHEEL DIA | TOTAL LENGTH | SEAT DEPTH | BACKREST HEIGHT | WEIGHT CAP (KG) | NW (KG) | GW (KG) | CARTON SIZE (CM) | PCS/CN | 20" FCL (PCS) | 40" FCL (PCS) |
|--------|----------------|--------------|------------|--------------|-------------|----------------|-----------------|--------------|------------|-----------------|-----------------|---------|---------|------------------|--------|---------------|---------------|
| JL138L | 62 | 37 | 45/51 | 95 | 51 | 12" | 8" | 107 | 42 | 40 | 100 | 46.8 | 51 | 79*40*76 | 1 | 115 | 280 |
| JL110A | 62 | 34 | 46 | 117 | 50 | 12" | 8" | 117 | 44 | 44 | 100 | 51 | 53 | 80*35*77 | 1 | 125 | 315 |
| JL1008 | 64 | 37 | 45 | 94 | 46 | 12" | 8" | 114 | 43 | 39.5 | 100 | 46 | 50 | 73.5*37*72.5 | 1 | 140 | 340 |
| JL1009 | 61 | 32 | 45 | 96.5 | 51 | 20" | 8" | 99.8 | 45 | 39 | 100 | 33 | 34 | 78*32*75.5 | 1 | 145 | 360 |



JLD00401

ALUMINUM ALLOY MATERIAL, ONE-BUTTON FOLDING FRONT AND BACK, ARMRESTS CAN BE LIFTED, THE CONTROLLER LEFT AND RIGHT HANDS INTER CHANGEABLE, MANUAL/ELECTRIC MODE CAN BE SWITCHED



JLD00402

ALUMINUM FRAME, ARMREST OPENING AND CLOSING DESIGN, SWITCHABLE MANUAL/ELECTRIC MODE, DETACHABLE BATTERY, SPRING SUSPENSION UNIVERSAL SOLID FRONT WHEEL, PU SOLID REAR WHEEL



JLD00304

FRONT AND REAR FOLDING ALUMINUM ALLOY FRAME, ADJUSTABLE LIFTING AND REAR TURNING ARMRESTS, UP TURNING PEDALS, 8 INCH FRONT WHEEL, 12 INCH REAR WHEEL



JLD00305

FRONT AND REAR FOLDING ALUMINUM ALLOY FRAME, INTELLIGENT ELECTROMAGNETIC BRAKE, MANUAL/ELECTRIC MODE ONE-KEY SWITCH, HIGH-EFFICIENCY ENERGY-SAVING POWERFUL MOTOR, AIR FILLED AND SHOCK-ABSORBING HONEYCOMB FRONT WHEEL



JL-H3

FULLY AUTOMATIC INTELLIGENT FOLLOW WHEELCHAIR, INTELLIGENT JOYSTICK CONTROLLER, EASY AND COMFORTABLE STEERING EXPERIENCE, INTELLIGENT BRAKE, CONTROLLER CAN BE MOUNTED ON LEFT OR RIGHT ARMREST, ARMREST CAN BE RAISED FOR EASY SIDE ACCESS TO THE SEAT, FOOTREST ADJUSTABLE WITH 3 DIFFERENT HEIGHT, DC BRUSH MOTOR, PRESS THE HORN TO GIVE OTHERS REMINDER.

- AUTOMATIC FOLLOWING, FREE YOUR HANDS, SMART BAND ANTI LOST ALARM

WIRELESS REMOTE CONTROL EQUIPPED WITH SMART REMOTE CONTROL THE H3 CAN BE OPERATED BY THE REMOTE CONTROL TO ADVANCE, RETRAT, AND TURN LEFT AND RIGHT. IT CAN READ LIGHTS, HORN ALARMS, AND ONE-BUTTON QUICK FOLDING.



| MODEL | UNFOLDED WIDTH | FOLDED WIDTH | SEAT WIDTH | TOTAL HEIGHT | SEAT HEIGHT | REAR WHEEL DIA | FRONT WHEEL DIA | TOTAL LENGTH | SEAT DEPTH | BACKREST HEIGHT | WEIGHT CAP (KG) | NW (KG) | GW (KG) | CARTON SIZE (CM) | PCS/CN | 20' FCL (PCS) | 40' FCL (PCS) |
|----------|----------------|--------------|------------|--------------|-------------|----------------|-----------------|--------------|------------|-----------------|-----------------|---------|---------|------------------|--------|---------------|---------------|
| JLD00401 | 60 | - | 45 | 95 | 50 | 12" | 8" | 98 | 43 | 46 | 100 | 27 | 33 | 68*42.5*87 | 1 | 110 | 270 |
| JLD00402 | 62 | - | 50 | 92 | 60 | 12" | 8" | 92 | 50 | 46 | 100 | 21 | 25 | 63.5*39*85 | 1 | 130 | 320 |
| JLD00304 | 62 | - | 43 | 96 | 49 | 12" | 8" | 80 | 45 | 37 | 100 | 17 | 22 | 63*38*92 | 1 | 125 | 300 |
| JLD00305 | 58 | - | 46 | 94 | 48 | 10" | 8" | 96 | 41 | 38 | 100 | 24 | 27 | 80*31*60 | 1 | 185 | 450 |

| MODEL | UNFOLDED WIDTH | FOLDED WIDTH | SEAT WIDTH | TOTAL HEIGHT | SEAT HEIGHT | REAR WHEEL DIA | FRONT WHEEL DIA | TOTAL LENGTH | SEAT DEPTH | BACKREST HEIGHT | WEIGHT CAP (KG) | NW (KG) | GW (KG) | CARTON SIZE (CM) | PCS/CN | 20' FCL (PCS) | 40' FCL (PCS) |
|-------|----------------|--------------|------------|--------------|-------------|----------------|-----------------|--------------|------------|-----------------|-----------------|---------|---------|------------------|--------|---------------|---------------|
| JL-H3 | 62 | - | 45 | 98 | 58 | 12.5" | 8" | 110 | 45 | 46 | 130 | 33 | 42 | 89*62*40 | 1 | 84 | 320 |

ELECTRIC WHEELCHAIR



JLD00101

ELECTRIC VERTICAL WHEELCHAIR, POWDER COATED FRAME, IMPORTED CONTROLLER, LED HEADLIGHTS, EIGHT LIFT MODES



JL143

POWER STAND UP WHEELCHAIR, POWDER COATING FRAME, FILP-UP ARMREST WITH SINGLE CONTROLLER FOR BOTH DRIVING & SEAT LIFTING, STRONG RUBBER FOAM DRIVEWHEEL, SPECIAL DESIGN WITH COMFORTABLE SAFETY LEGREST BELT



JL139

POWER WHEELCHAIR, FLIP-UP ARMREST, 8" SOLID CASTOR, 12" SOLID DRIVE WHEEL



JLDX01

LITHIUM AND LEAD-ACID BATTERIES FOR OPTION, BRIGHT LED SPOTLIGHT WITH LOW ENERGY CONSUMPTION, OPTIONAL ECONOMIC AND LUXURY 360° ROTATING SEAT



JL123F1

POWDER COATING STEEL FRAME, ANGLE ADJUSTABLE BACKREST, ADJUSTABLE ARMREST PAD, PU CASTOR AND DRIVE REAR WHEEL, DETACHABLE SIDEBOARD, WITH SAFETY LAMPS, DETACHABLE STRONG FOOTREST



JL141

POWDER COATED STEEL FRAME, DETACHABLE ARMREST, DOUBLE UNIVERSAL CONTROL. MANUAL ELECTRIC INTEGRATED DESIGN, HITTING FUNCTION BACK AND FORTH RECLINING HIGH BACK.



JLDX02

FOLDING AND UNFOLDING AUTOMATICALLY BY BUTTON, SOLID EXPLOSION PROOF TYRES AND ACCURATE LED BATTERY INDICATOR



JLDX03

THE MAIN USE OF HIGH RISE BUILDINGS STAIR STRETCHER TRANSFER OF PATIENTS UP AND DOWN STAIRS, MADE OF HIGH-STRENGTH ALUMINUM LAY MATERIALS.

| MODEL | UNFOLDED WIDTH | FOLDED WIDTH | SEAT WIDTH | TOTAL HEIGHT | SEAT HEIGHT | REAR WHEEL DIA | FRONT WHEEL DIA | TOTAL LENGTH | SEAT DEPTH | BACKREST HEIGHT | WEIGHT CAP(KG) | NW(KG) | GW(KG) | CARTON SIZE (CM) | PCS/CN | 20' FCL (PCS) | 40' FCL (PCS) |
|----------|----------------|--------------|------------|--------------|-------------|----------------|-----------------|--------------|------------|-----------------|----------------|--------|--------|------------------|--------|---------------|---------------|
| JLD00101 | 66 | - | 48 | 124 | 60 | 10" | 18" | 112 | 42 | 42 | 150 | 125 | 170 | 108*80*121 | 1 | 26 | 65 |
| JL143 | 62 | - | 46 | 107 | 58 | 12" | 8" | 107 | 44 | 48 | 100 | 80.4 | 98.2 | 143*64*75 | 1 | 40 | 98 |
| JL123F1 | 67 | - | 43 | 95 | 58 | 16" | 10" | 107 | 42 | 47 | 100 | 63 | 70.8 | 78*68*69 | 1 | 75 | 185 |
| JL141 | 60 | - | 45 | 107.5 | 49 | 12" | 8" | 101 | 45 | 48 | 100 | 60 | 78.3 | 79*69*79 | 1 | 75 | 180 |

| MODEL | UNFOLDED WIDTH | FOLDED WIDTH | SEAT WIDTH | TOTAL HEIGHT | SEAT HEIGHT | REAR WHEEL DIA | FRONT WHEEL DIA | TOTAL LENGTH | SEAT DEPTH | BACKREST HEIGHT | WEIGHT CAP(KG) | NW(KG) | GW(KG) | CARTON SIZE (CM) | PCS/CN | 20' FCL (PCS) | 40' FCL (PCS) |
|--------|----------------|--------------|------------|--------------|-------------|----------------|-----------------|--------------|------------|-----------------|----------------|--------|--------|------------------|--------|---------------|---------------|
| JL139 | 57 | - | 45 | 105 | 57 | 12" | 8" | 105 | 41 | 53 | 120 | 73.5 | 79 | 87.5*58*67 | 1 | 80 | 170 |
| JLDX01 | 50 | - | 41 | 92 | 58 | 9" | 9" | 110 | 35 | 32 | 100 | 47 | 51 | 104*53*54.5 | 1 | 88 | 176 |
| JLDX02 | 46 | - | 36 | 85 | 35 | 8" | 7" | 95 | 27 | 32 | 100 | 25 | 31 | 97.6*52.4*40 | 1 | 141 | 285 |
| JLDX03 | 46 | - | 40 | 100 | 50 | 7" | 5" | 123 | 50 | 38 | 200 | 30 | 45 | 111*58*31 | 1 | 80 | 165 |

STEEL WHEELCHAIR

STEEL WHEELCHAIR



JL809J

CHROMED STEEL FRAME, FIXED ARMREST, FIXED FOOTREST, SOLID CASTOR, SOLID REAR WHEEL WITH UNITED BRAKE



JL809B

CHROMED STEEL FRAME, FIXED ARMREST, FIXED FOOTREST, SOLID CASTOR, SOLID REAR MAG WHEEL



JL809

CHROMED STEEL FRAME, FIXED ARMREST, FIXED FOOTREST, SOLID CASTOR, SOLID REAR WHEEL



JL808

POWDER COATING STEEL FRAME, FIXED ARMREST, FIXED FOOTREST, SOLID CASTOR, SOLID REAR WHEEL



JL809T

CHROMED STEEL FRAME, FIXED ARMREST, FIXED FOOTREST, SOLID CASTOR, SOLID REAR WHEEL



JL809Y

CHROMED STEEL FRAME, FIXED ARMREST, FIXED FOOTREST, SOLID CASTOR, SOLID REAR WHEEL, HARD SEAT CUSHION



JL868

POWDER COATING STEEL FRAME, DOUBLE CROSS BAR, FIXED ARMREST, FIXED FOOTREST, SOLID CASTOR, SOLID REAR WHEEL



JL874

CHROMED STEEL FRAME, DOUBLE CROSS BAR, FIXED ARMREST, FIXED FOOTREST, SOLID CASTOR, SOLID REAR WHEEL

| MODEL | UNFOLDED WIDTH | FOLDED WIDTH | SEAT WIDTH | TOTAL HEIGHT | SEAT HEIGHT | REAR WHEEL DIA | FRONT WHEEL DIA | TOTAL LENGTH | SEAT DEPTH | BACKREST HEIGHT | WEIGHT CAP(KG) | NW(KG) | GW(KG) | CARTON SIZE (CM) | PCS/CN | 20' FCL (PCS) | 40' FCL (PCS) |
|--------|----------------|--------------|------------|--------------|-------------|----------------|-----------------|--------------|------------|-----------------|----------------|--------|--------|------------------|--------|---------------|---------------|
| JL809J | 66 | 21 | 46 | 87 | 47 | 24" | 8" | 104 | 43 | 41 | 100 | 17.2 | 19.2 | 93*21*89 | 1 | 160 | 390 |
| JL809B | 66 | 23 | 46 | 87 | 47 | 24" | 8" | 104 | 40 | 41 | 100 | 17.2 | 19.2 | 93*22*88 | 1 | 150 | 275 |
| JL809T | 66 | 21 | 46 | 87 | 48 | 24" | 8" | 104 | 43 | 39 | 100 | 16.6 | 18.6 | 93*21*88 | 1 | 160 | 390 |
| JL809Y | 65 | 32 | 45 | 87 | 48 | 24" | 8" | 104 | 43 | 39 | 100 | 17.2 | 19.2 | 93*31.5*93 | 1 | 100 | 245 |

| MODEL | UNFOLDED WIDTH | FOLDED WIDTH | SEAT WIDTH | TOTAL HEIGHT | SEAT HEIGHT | REAR WHEEL DIA | FRONT WHEEL DIA | TOTAL LENGTH | SEAT DEPTH | BACKREST HEIGHT | WEIGHT CAP(KG) | NW(KG) | GW(KG) | CARTON SIZE (CM) | PCS/CN | 20' FCL (PCS) | 40' FCL (PCS) |
|--------|----------------|--------------|------------|--------------|-------------|----------------|-----------------|--------------|------------|-----------------|----------------|--------|--------|------------------|--------|---------------|---------------|
| JL809 | 66 | 21 | 46 | 87 | 48 | 24" | 8" | 104 | 43 | 39 | 100 | 16.6 | 18.6 | 93*21*88 | 1 | 160 | 390 |
| JL809D | - | - | - | - | - | - | - | - | - | - | - | 15 | 17 | 80*21*78 | 1 | 210 | 515 |
| JL809D | - | - | - | - | - | - | - | - | - | - | - | 15 | 17 | 60*22*70 | 1 | 300 | 730 |
| JL808 | 66 | 21 | 46 | 87 | 48 | 24" | 8" | 104 | 43 | 39 | 100 | 16.6 | 18.6 | 93*21*88 | 1 | 160 | 390 |
| JL868 | 60 | 23 | 44 | 89 | 49 | 22" | 6" | 100 | 42 | 38 | 100 | 12.5 | 14.6 | 97*23*89 | 1 | 140 | 340 |
| JL874 | 60 | 25 | 41 | 91 | 53 | 24" | 8" | 103 | 40 | 38.5 | 100 | 16.3 | 18.3 | 94*28*92 | 1 | 110 | 275 |

STEEL WHEELCHAIR



JL909

POWDER COATED STEEL FRAME, DOUBLE CROSS BAR, FLIP-UP ARMREST, DETACHABLE FOOTREST, SOLID CASTOR, SOLID REAR WHEEL



JL909BQ

POWDER COATED STEEL FRAME, FLIP-UP ARMREST, DETACHABLE FOOTREST, SOLID CASTOR, SOLID MAG REAR WHEEL



JL901

CHROMED STEEL FRAME, DETACHABLE ARMREST, DETACHABLE FOOTREST, SOLID CASTOR, SOLID REAR WHEEL



JL905

POWDER COATED STEEL WHEELCHAIR WITH FABRIC SEAT AND BACKREST, 24" INCH PNEUMATIC REAR WHEEL, 200x50 PU CASTOR, FLIP-UP ARMREST, ADJUSTABLE FOOTPLATE & DETACHABLE FOOTREST



JL908AQ

CHROMED STEEL FRAME, FLIP-UP ARMREST, DETACHABLE FOOTREST, SOLID CASTOR, SOLID REAR WHEEL, DROP BACK HANDLE, WITH QUICK RELEASE WHEEL



JL904B

POWDER COATED STEEL FRAME, DETACHABLE ARMREST, DETACHABLE FOOTREST, SOLID CASTOR, PNEUMATIC MAG REAR WHEEL



JL902C

CHROMED STEEL FRAME, DETACHABLE ARMREST, DETACHABLE ELEVATING FOOTREST, SOLID CASTOR, SOLID REAR WHEEL



JL903

POWDER COATING STEEL FRAME, DETACHABLE ARMREST, DETACHABLE FOOTREST, SOLID CASTOR, SOLID REAR WHEEL

| MODEL | UNFOLDED WIDTH | FOLDED WIDTH | SEAT WIDTH | TOTAL HEIGHT | SEAT HEIGHT | REAR WHEEL DIA | FRONT WHEEL DIA | TOTAL LENGTH | SEAT DEPTH | BACKREST HEIGHT | WEIGHT CAP (KG) | NW (KG) | GW (KG) | CARTON SIZE (CM) | PCS/CN | 20' FCL (PCS) | 40' FCL (PCS) |
|---------|----------------|--------------|------------|--------------|-------------|----------------|-----------------|--------------|------------|-----------------|-----------------|---------|---------|------------------|--------|---------------|---------------|
| JL909 | 61 | 27 | 46 | 88 | 49 | 24" | 8" | 103 | 41 | 38 | 100 | 18.6 | 20.9 | 80*28*89 | 1 | 135 | 340 |
| JL909BQ | 61 | 27 | 46 | 88 | 49 | 24" | 8" | 103 | 41 | 38 | 100 | 18.6 | 20.9 | 80*28*89 | 1 | 135 | 340 |
| JL908AQ | 60 | 25 | 45 | 92 | 49 | 24" | 8" | 104 | 42 | 44 | 100 | 16.9 | 19.1 | 82*26.5*77 | 1 | 165 | 400 |
| JL904B | 62 | 27 | 46 | 88 | 49 | 12" | 8" | 98 | 43 | 42 | 100 | 14 | 16 | 71*28*90 | 1 | 150 | 390 |

| MODEL | UNFOLDED WIDTH | FOLDED WIDTH | SEAT WIDTH | TOTAL HEIGHT | SEAT HEIGHT | REAR WHEEL DIA | FRONT WHEEL DIA | TOTAL LENGTH | SEAT DEPTH | BACKREST HEIGHT | WEIGHT CAP (KG) | NW (KG) | GW (KG) | CARTON SIZE (CM) | PCS/CN | 20' FCL (PCS) | 40' FCL (PCS) |
|--------|----------------|--------------|------------|--------------|-------------|----------------|-----------------|--------------|------------|-----------------|-----------------|---------|---------|------------------|--------|---------------|---------------|
| JL901 | 66 | 28 | 46 | 88 | 50 | 24" | 8" | 103 | 41 | 39 | 10 | 18.5 | 20.7 | 80*28*89 | 1 | 135 | 340 |
| JL905 | 67 | 30 | 46 | 90 | 49 | 24" | 8" | 104 | 40 | 39 | 100 | 16.8 | 18.7 | 81*31*91 | 1 | 120 | 295 |
| JL902C | 66 | 27 | 46 | 90 | 51 | 24" | 8" | 104 | 41 | 39 | 100 | 18.5 | 20.7 | 80*28*89 | 1 | 135 | 340 |
| JL903 | 66 | 27 | 46 | 89 | 50 | 24" | 8" | 101 | 43 | 39 | 100 | 18.5 | 20.7 | 80*28*89 | 1 | 135 | 340 |

STEEL WHEELCHAIR



JL980LQF3-30

ALUMINUM CHILD WHEELCHAIR, FLIP-UP HEIGHT ADJUSTABLE ARMREST, DETACHABLE FOOTREST, SOLID CASTOR, QUICK RELEASE PNEUMATIC REAR WHEEL



JL802-35

POWDER STEEL FRAME, FIXED ARMREST, FIXED FOOTREST, SOLID CASTOR, SOLID REAR WHEEL



JL901-51

CHROMED STEEL FRAME, DETACHABLE HIGH AND LOW ARMRESTS, DETACHABLE FOOTREST, 200X50 PVC FRONT WHEELS, INFLATABLE PATTERNED REAR WHEEL, HEAVY DUTY FRAME



JL951B-51

POWDER COATING STEEL FRAME, DOUBLE CROSS BAR, FLIP-UP ARMREST, DETACHABLE FOOTREST, 200X50 PVC CASTOR, PNEUMATIC MAG REAR WHEEL



JL805-31

POWDER STEEL FRAME, FLIP-UP ARMREST, DETACHABLE FOOTREST, SOLID CASTOR, SOLID REAR WHEEL



JL976ABJ

POWDER COATED STEEL FRAME, FIXED ARMREST, DETACHABLE FOOTREST, SOLID CASTOR, SOLID REAR WHEEL WITH UNITED BRAKE



JL973-61

CHROMED STEEL HEAVY DUTY FRAME, 200x50 PVC CASTOR, SOLID REAR MAG WHEEL, FIXED ARMREST AND FOOTREST



JL975-51

CHROMED STEEL FRAME, DOUBLE CROSS BARS, DETACHABLE ARMRESTS, DETACHABLE FOOTREST, SOLID FRONT WHEELS, SOLID REAR WHEEL

| MODEL | UNFOLDED WIDTH | FOLDED WIDTH | SEAT WIDTH | TOTAL HEIGHT | SEAT HEIGHT | REAR WHEEL DIA | FRONT WHEEL DIA | TOTAL LENGTH | SEAT DEPTH | BACKREST HEIGHT | WEIGHT CAP(KG) | NW(KG) | GW(KG) | CARTON SIZE (CM) | PCS/CN | 20" FCL (PCS) | 40" FCL (PCS) |
|--------------|----------------|--------------|------------|--------------|-------------|----------------|-----------------|--------------|------------|-----------------|----------------|--------|--------|------------------|--------|---------------|---------------|
| JL980LQF3-30 | 46 | - | 30 | 83 | 52 | 22" | 6" | - | - | - | 75 | 13.5 | 15.5 | 74*33*91 | 1 | 121 | 295 |
| JL802-35 | 54 | 22 | 35 | 88 | 47 | 22" | 6" | 96 | 39 | 40 | 100 | 14.2 | 16.5 | 88*23*90 | 1 | 144 | 372 |
| JL805-31 | 54 | 22 | 31 | 88 | 47 | 22" | 6" | 96 | 39 | 40 | 100 | 14.2 | 16.5 | 88*23*90 | 1 | 144 | 372 |
| JL976ABJ | 61 | 25 | 42.5 | 101 | 52 | 8" | 8" | 95 | 43 | 40 | 100 | 13 | 15 | 64.5*26*83 | 1 | 200 | 488 |

| MODEL | UNFOLDED WIDTH | FOLDED WIDTH | SEAT WIDTH | TOTAL HEIGHT | SEAT HEIGHT | REAR WHEEL DIA | FRONT WHEEL DIA | TOTAL LENGTH | SEAT DEPTH | BACKREST HEIGHT | WEIGHT CAP(KG) | NW(KG) | GW(KG) | CARTON SIZE (CM) | PCS/CN | 20" FCL (PCS) | 40" FCL (PCS) |
|-----------|----------------|--------------|------------|--------------|-------------|----------------|-----------------|--------------|------------|-----------------|----------------|--------|--------|------------------|--------|---------------|---------------|
| JL901-51 | 66 | 28 | 51 | 88 | 50 | 24" | 8" | 103 | 45 | 40 | 136 | 19 | 21 | 80*30*89 | 1 | 130 | 315 |
| JL951B-51 | 67 | 29 | 51 | 94 | 52 | 24" | 8" | 115 | 46 | 40 | 136 | 20 | 22 | 87.5*29.5*97 | 1 | 110 | 270 |
| JL973-61 | 81 | 29 | 61 | 94 | 52 | 24" | 8" | 115 | 46 | 40 | 136 | 21.5 | 24.5 | 109*30*101.5 | 1 | 80 | 200 |
| JL975-51 | 72 | 26 | 51 | 90 | 52.5 | 24" | 8" | 102 | 45 | 40 | 136 | 20 | 22 | 80*27*91 | 1 | 140 | 340 |

CEREBRAL PALSY WHEELCHAIR



JL9020L

ALUMINUM FRAME WITH COMFORTABLE SEAT AND SAFETY BELT, RECLINING HIGH BACK, SOLID CASTOR, PU MAG REAR WHEEL, ADJUSTABLE HEADREST, ADJUSTABLE ARMREST, ELEVATING FOOTREST, ADJUSTABLE SEAT



JL258LBYGP

ALUMINUM FRAME, RECLINING HIGH BACK, ADJUSTABLE SEAT ANGLE, DETACHABLE SEAT AND BACK, SOLID CASTOR, PU MAG REAR WHEEL, SAFETY BELT



JL203L

ALUMINUM FRAME, COMFORTABLE ERGONOMIC SEAT, DETACHABLE AND HEIGHT ADJUSTABLE ARMREST, DETACHABLE ELEVATING FOOTREST, SOLID CASTOR, PNEUMATIC REAR WHEEL



JL9541GC

POWDER COATED STEEL FRAME, BREATHABLE AND COMFORTABLE FOAM PAD, INCLINED HIGH BACKREST, FLIP UP ARMREST, DETACHABLE LIFTING FOOTREST, PVC SOLID FRONT WHEEL, PVC MAG SOLID REAR WHEEL

| MODEL | UNFOLDED WIDTH | FOLDED WIDTH | SEAT WIDTH | TOTAL HEIGHT | SEAT HEIGHT | REAR WHEEL DIA | FRONT WHEEL DIA | TOTAL LENGTH | SEAT DEPTH | BACKREST HEIGHT | WEIGHT CAP(KG) | NW(KG) | GW(KG) | CARTON SIZE (CM) | PCS/CN | 20' FCL (PCS) | 40' FCL (PCS) |
|------------|----------------|--------------|------------|--------------|-------------|----------------|-----------------|--------------|------------|-----------------|----------------|--------|--------|------------------|--------|---------------|---------------|
| JL9020L | 52 | 29 | 35 | 107 | 52 | 16" | 6" | 106 | 36 | 44 | 100 | 23 | 25.2 | 86*33*100 | 1 | 95 | 235 |
| JL258LBYGP | 42 | 30 | 30 | 103 | 49 | 14" | 7" | 93 | 39 | 28-68 | 100 | 17.4 | 20.7 | 80*41*69 | 1 | 120 | 295 |
| JL203L | 66.5 | 66 | 66.5 | 116 | 58 | 24" | 8" | 109-125 | 42 | 48 | 100 | 24.8 | 28 | 96*66*107 | 1 | 40 | 100 |
| JL9541GC | 68 | 39 | 46 | 123 | 51 | 24" | 8" | 123 | 42 | 44 | 100 | 24.5 | 28 | 110*35*80 | 1 | 88 | 218 |

COMMUNE WHEELCHAIR



JL954GC

POWDER COATED STEEL FRAME, RECLINING HIGH BACK, DETACHABLE ARMREST, DETACHABLE ELEVATING FOOTREST, SOLID CASTOR, SOLID REAR WHEEL



JL902GC

POWDER COATED STEEL FRAME, RECLINING HIGH BACK, FLIP-UP ARMREST, DETACHABLE ELEVATING FOOTREST, SOLID CASTOR, SOLID REAR WHEEL



JL609GCU

CHROMED STEEL FRAME, RECLINING HIGH BACK, U SHAPE COMMUNE SEAT, DETACHABLE ARMREST, DETACHABLE ELEVATING FOOTREST, SOLID CASTOR, SOLID REAR WHEEL



JL609LGC

ALUMINUM FRAME, RECLINING HIGH BACK, U SHAPE COMMUNE SEAT, DETACHABLE ELEVATING FOOTREST, SOLID CASTOR, PNEUMATIC REAR WHEEL, WITH ROLLOVER PREVENTION

| MODEL | UNFOLDED WIDTH | FOLDED WIDTH | SEAT WIDTH | TOTAL HEIGHT | SEAT HEIGHT | REAR WHEEL DIA | FRONT WHEEL DIA | TOTAL LENGTH | SEAT DEPTH | BACKREST HEIGHT | WEIGHT CAP(KG) | NW(KG) | GW(KG) | CARTON SIZE (CM) | PCS/CN | 20' FCL (PCS) | 40' FCL (PCS) |
|----------|----------------|--------------|------------|--------------|-------------|----------------|-----------------|--------------|------------|-----------------|----------------|--------|--------|------------------|--------|---------------|---------------|
| JL954GC | 66 | 34 | 46 | 128 | 51 | 24" | 8" | 115 | 44 | 49 | 100 | 23 | 25.5 | 110*35*80 | 1 | 88 | 218 |
| JL902GC | 65 | 44 | 46 | 128 | 50 | 24" | 8" | 119 | 44 | 49 | 100 | 26 | 29 | 99*35*91 | 1 | 85 | 215 |
| JL609GCU | 62.5 | 33.5 | 45.5 | 127 | 56.5 | 24" | 8" | 120 | 45 | 42.5 | 100 | 30 | 33 | 110*34*80 | 1 | 90 | 225 |
| JL609LGC | 59.5 | 29 | 43 | 138 | 58 | 24" | 8" | 125.5 | 44 | 86 | 100 | 21.5 | 24.2 | 112*39*84.5 | 1 | 75 | 180 |

COMMODE WHEELCHAIR

TRANSFER CHAIR



JL609U



JL609L

JL609

CHROMED STEEL FRAME, SQUARE COMMODE SEAT, FIXED ARMREST, FIXED FOOTREST, SOLID CASTOR, SOLID REAR WHEEL

ALUMINUM FRAME, SQUARE COMMODE SEAT, FIXED ARMREST, FIXED FOOTREST, SOLID CASTOR, SOLID REAR WHEEL



JL2000

ALL IN ONE WHEELCHAIR LIFTS FOR HOME, SEATED PATIENT LIFT, HANDICAPPED ELDERLY COMMODE BATH CHAIR, MULTI-FUNCTION PATIENT LIFT EASY TRANSFER TO TOILET AND BATHROOM



JL2010

ALL IN ONE WHEELCHAIR LIFTS FOR HOME, SEATED PATIENT LIFT, HANDICAPPED ELDERLY COMMODE BATH CHAIR, MULTI-FUNCTION PATIENT LIFT EASY TRANSFER TO TOILET AND BATHROOM



JL681U-41
JL681U-46
JL681U-51

JL681

CHROMED STEEL FRAME, SQUARE COMMODE SEAT, FLIP-UP ARMREST, DETACHABLE FOOTREST, SOLID CASTOR, SOLID REAR WHEEL



JL682U-41
JL682U-46
JL682U-51

JL682

CHROMED STEEL FRAME, SQUARE COMMODE SEAT, FLIP-UP ARMREST, DETACHABLE FOOTREST, SOLID CASTOR, SOLID REAR WHEEL



JL2020

ALL IN ONE WHEELCHAIR LIFTS FOR HOME, SEATED PATIENT LIFT, HANDICAPPED ELDERLY COMMODE BATH CHAIR, MULTI-FUNCTION PATIENT LIFT EASY TRANSFER TO TOILET AND BATHROOM



JLZ2001

ELECTRIC TRANSFER CHAIR, STEEL FRAME, REMOTE CONTROL & BUILT-IN CONTROL, SPLIT SEAT DESIGN, FOOTBRAKE, 5" FRONT WHEEL WITH BRAKE & 3" REAR WHEEL

| MODEL | UNFOLDED WIDTH | FOLDED WIDTH | SEAT WIDTH | TOTAL HEIGHT | SEAT HEIGHT | REAR WHEEL DIA | FRONT WHEEL DIA | TOTAL LENGTH | SEAT DEPTH | BACKREST HEIGHT | WEIGHT CAP (KG) | NW (KG) | GW (KG) | CARTON SIZE (CM) | PCS/CN | 20' FCL (PCS) | 40' FCL (PCS) |
|--------|----------------|--------------|------------|--------------|-------------|----------------|-----------------|--------------|------------|-----------------|-----------------|---------|---------|------------------|--------|---------------|---------------|
| JL609 | 63 | 24 | 45 | 87 | 52 | 24" | 8" | 104 | 44 | 40 | 100 | 18.3 | 21 | 93*28*88 | 1 | 120 | 290 |
| JL609L | 63 | 28 | 45 | 88 | 50 | 24" | 6" | 95 | 44 | 40 | 100 | 15.4 | 18.1 | 95*30*89 | 1 | 110 | 265 |
| JL681 | 66 | 29 | 46 | 89 | 53 | 24" | 8" | 102 | 43.5 | 38 | 100 | 21.3 | 23.1 | 80*33*90 | 1 | 115 | 280 |
| JL682 | 66 | 29 | 46 | 89 | 53 | 24" | 8" | 102 | 43 | 37 | 100 | 21.5 | 23 | 80*33*88 | 1 | 120 | 290 |

| MODEL | UNFOLDED WIDTH | FOLDED WIDTH | SEAT WIDTH | TOTAL HEIGHT | SEAT HEIGHT | REAR WHEEL DIA | FRONT WHEEL DIA | TOTAL LENGTH | SEAT DEPTH | BACKREST HEIGHT | WEIGHT CAP (KG) | NW (KG) | GW (KG) | CARTON SIZE (CM) | PCS/CN | 20' FCL (PCS) | 40' FCL (PCS) |
|---------|----------------|--------------|------------|--------------|-------------|----------------|-----------------|--------------|------------|-----------------|-----------------|---------|---------|------------------|--------|---------------|---------------|
| JL2000 | 53 | - | 43 | 91-107 | 50-66 | 4" | 4" | 67 | 42 | 42 | 100 | 18 | 20 | 71*57.5*33 | 1 | 205 | 500 |
| JL2010 | 59.5 | - | 46 | 80.5-100.5 | 44-64 | 4" | 4" | 70 | 35 | 30 | 100 | 24 | 29.5 | 40.5*61*75 | 1 | 175 | 430 |
| JL2020 | 59 | - | 46 | 93-119 | 46-71 | 3" | 5" | 78 | 40 | 30 | 100 | 28.5 | 32 | 40.5*61*75 | 1 | 120 | 295 |
| JLZ2001 | 58.5 | - | 46 | 87.5-107.5 | 39.5-59.5 | 5" | 3" | 69 | 40 | 37 | 100 | 26.5 | 28.5 | 69*58.5*107.5 | 1 | 60 | 150 |



JL6928

WELDING FRAME WITH POWDER COATING, FLIP UP ARMREST AND SWING AWAY FOOTREST, 5" CASTOR, 24" QUICK RELEASE REAR WHEEL



JL6929LB

ALUMINUM POWDER COATED FRAME, SMALL PACKING, PU SEAT, LIFTING ARMREST, DETACHABLE FOOTREST, 5" SOLID CASTORS, 24" QUICK RELEASE REAR MAG WHEEL



JL6929L

ALUMINUM FOLDABLE FRAME, HEIGHT-ADJUSTABLE ARMREST, DETACHABLE FOOTREST, SMALL VOLUME, SAVING TRANSPORTATION COST



JL6952

ALUMINUM ALLOY FRAME, TOOL-FREE DISASSEMBLY AND ASSEMBLY, STEPLESS HYDRAULIC ADJUSTMENT OF BACK TILT, 5" UNIVERSAL MUTE RUBBER WHEELS, NECK SUPPORT CAN BE ADJUSTED UP AND DOWN FRONT AND BACK



JL6927L

ALUMINUM POWDER COATED FRAME, REMOVEABLE PU SEAT FLIP UP ARMREST, SWING AWAY FOOTREST, 5" SOLID CASTOR



JL6927LB

ALUMINUM FRAME, REMOVEABLE PLASTIC COMMODE PAIL WITH LID, 5" PVC WHEELS, 24" SOLID MAG REAR WHEEL WITH BRAKE, REMOVE FOOTREST



JL6926

FOLDABLE STEEL FRAME, REMOVEABLE SEAT PANNEL, REMOVEABLE PLASTIC COMMODE PAIL WITH LID, SOLID REAR WHEEL, FLIP DOWN ARMREST, DETACHABLE FOOTREST, SMALLEST PACKING



JL692

POWDER COATED STEEL FRAME, FLIP-DOWN ARMREST, DETACHABLE FOOTREST, REAR CASTOR WITH LOCK, PLASTIC COMMODE SEAT

| MODEL | UNFOLDED WIDTH | SEAT WIDTH | TOTAL HEIGHT | SEAT HEIGHT | REAR WHEEL DIA | FRONT WHEEL DIA | TOTAL LENGTH | SEAT DEPTH | BACKREST HEIGHT | WEIGHT CAP(KG) | NW(KG) | GW(KG) | CARTON SIZE (CM) | PCS/CN | 20" FCL (PCS) | 40" FCL (PCS) |
|----------|----------------|------------|--------------|-------------|----------------|-----------------|--------------|------------|-----------------|----------------|--------|--------|-------------------|--------|---------------|---------------|
| JL6928 | 71 | 46 | 97 | 50 | 24" | 5" | 103 | 40 | 50 | 100 | 12.6 | 14 | 65*60*25 | 1 | 276 | 697 |
| JL6929LB | 56 | 36 | 81-87 | 42-50 | 24" | 8" | 90 | 35.5 | 30 | 100 | 13.4 | 14.8 | 73*39.5*56 | 1 | 165 | 415 |
| JL6927L | 57 | 47 | 94 | 54 | 5" | 5" | 81 | 41 | 30 | 100 | 12.9 | 14.2 | 72*53*26 | 1 | 280 | 670 |
| JL6927LB | 55 | 45 | 93 | 100 | 24" | 5" | 100 | 45 | 30 | 100 | 19.3 | 21.5 | 72*53*26/70*15*60 | 1 | - | - |

| MODEL | UNFOLDED WIDTH | SEAT WIDTH | TOTAL HEIGHT | SEAT HEIGHT | REAR WHEEL DIA | FRONT WHEEL DIA | TOTAL LENGTH | SEAT DEPTH | BACKREST HEIGHT | WEIGHT CAP(KG) | NW(KG) | GW(KG) | CARTON SIZE (CM) | PCS/CN | 20" FCL (PCS) | 40" FCL (PCS) |
|---------|----------------|------------|--------------|-------------|----------------|-----------------|--------------|------------|-----------------|----------------|--------|--------|------------------|--------|---------------|---------------|
| JL6929L | 44 | 36 | 78-84 | 40-48 | 8" | 8" | 87 | 35.5 | 34.5 | 100 | 9.2 | 10.8 | 60*38*39.5 | 1 | 300 | 750 |
| JL6952 | 54 | 46 | 106 | 54 | 5" | 5" | 98 | 39 | 46 | 120 | 17 | 19 | 97*61*49 | 1 | 137 | 337 |
| JL6926 | 55 | 44 | 95 | 53 | 5" | 5" | 90 | 43.5 | 39 | 100 | 13 | 14.2 | 58*56*25 | 1 | 330 | 825 |
| JL692 | 55 | 44 | 90 | 53 | 5" | 5" | 90 | 43.5 | 39 | 100 | 17 | 18 | 56*55*54 | 1 | 160 | 400 |



JL8961L



JLC00101



JLC00301



JLC00302



JLC00102



JLC00201



JL8803L



JL8802L

| MODEL | UNFOLDED WIDTH | SEAT WIDTH | TOTAL HEIGHT | SEAT HEIGHT | REAR WHEEL DIA | FRONT WHEEL DIA | TOTAL LENGTH | SEAT DEPTH | BACKREST HEIGHT | WEIGHT CAP(KG) | NW(KG) | GW(KG) | CARTON SIZE (CM) | PCS/CN | 20' FCL (PCS) | 40' FCL (PCS) |
|----------|----------------|------------|--------------|-------------|----------------|-----------------|--------------|------------|-----------------|----------------|--------|--------|------------------|--------|---------------|---------------|
| JL8961L | 56 | 45 | 96 | 53 | 5" | 5" | 84 | 39 | 36 | 100 | 8.2 | 9.2 | 49*24*67 | 1 | 345 | 850 |
| JLC00101 | 58 | 45.5 | 94 | 53.5 | 8" | 4" | 92 | 47.5 | 35 | 100 | 9 | 10.7 | 68*30.5*54.5 | 1 | 200 | 490 |
| JLC00102 | 59.5 | 46 | 91.5 | 50 | 12" | - | 94 | 50 | 35 | 100 | 9.4 | 10.8 | 87*23.5*63 | 1 | 230 | 570 |
| JLC00201 | 57.5 | 46 | 86-93.5 | 43.5 | - | - | 57.5 | 48.5 | 35 | 100 | 5.6 | 12.8 | 92*35*61 | 2 | 280 | 680 |

| MODEL | UNFOLDED WIDTH | SEAT WIDTH | TOTAL HEIGHT | SEAT HEIGHT | REAR WHEEL DIA | FRONT WHEEL DIA | TOTAL LENGTH | SEAT DEPTH | BACKREST HEIGHT | WEIGHT CAP(KG) | NW(KG) | GW(KG) | CARTON SIZE (CM) | PCS/CN | 20' FCL (PCS) | 40' FCL (PCS) |
|----------|----------------|------------|--------------|-------------|----------------|-----------------|--------------|------------|-----------------|----------------|--------|--------|------------------|--------|---------------|---------------|
| JLC00301 | 56.5 | 46 | 92 | 51 | 4" | 4" | 82 | 45 | 35 | 100 | 7.7 | 8.9 | 54.5*19*76 | 1 | 350 | 850 |
| JLC00302 | 57 | 46 | 98-107 | 48-57 | 4" | 4" | 87 | 43 | 50 | 100 | 8.4 | 10.1 | 57*22*81 | 1 | 270 | 660 |
| JL8803L | 51 | 51 | 93 | 47.5 | 5" | 5" | 71 | 40 | 47 | 100 | 12.5 | 14.5 | 63*50*60.5 | 1 | 141 | 350 |
| JL8802L | 54 | 43 | 90 | 48 | 3" | 3" | 53 | 44 | 43 | 100 | 6 | 7.3 | 78*15*45 | 1 | 510 | 1270 |



JL8171



JL817



JL8201



JL8996



JL895L



JL816



JL693



JL8202



JL8971



JL8972

| MODEL | UNFOLDED WIDTH | SEAT WIDTH | TOTAL HEIGHT | SEAT HEIGHT | REAR WHEEL DIA | FRONT WHEEL DIA | TOTAL LENGTH | SEAT DEPTH | BACKREST HEIGHT | WEIGHT CAP (KG) | NW(KG) | GW(KG) | CARTON SIZE (CM) | PCS/CN | 20' FCL (PCS) | 40' FCL (PCS) |
|--------|----------------|------------|--------------|-------------|----------------|-----------------|--------------|------------|-----------------|-----------------|--------|--------|------------------|--------|---------------|---------------|
| JL8171 | 65 | 43 | 92 | 52 | 24" | 5" | 101 | 43 | 35 | 100 | 19.2 | 20.7 | 63*32*80.5 | 1 | 170 | 410 |
| JL817 | 53 | 43 | 93.5 | 53 | 5" | 5" | 87 | 43 | 35 | 100 | 13.5 | 14.8 | 61.5*19.5*94.5 | 1 | 240 | 590 |
| JL816 | 53 | 43 | 90 | 52 | - | - | 49 | 43 | 35 | 100 | 8.7 | 9.7 | 51.5*17*91 | 1 | 340 | 840 |
| JL693 | 54 | 44 | 89 | 48 | 5" | 5" | 73 | 40 | 33 | 100 | 12 | 13.2 | 67*29*50 | 1 | 280 | 690 |

| MODEL | TOTAL LENGTH | SEAT WIDTH | TOTAL HEIGHT | SEAT HEIGHT | SEAT DEPTH | BACKREST HEIGHT | WEIGHT CAP (KG) | NW(KG) | GW(KG) | CARTON SIZE (CM) | PCS/CN | 20' FCL (PCS) | 40' FCL (PCS) |
|--------|--------------|------------|--------------|-------------|------------|-----------------|-----------------|--------|--------|------------------|--------|---------------|---------------|
| JL8201 | 53 | 47 | 79-94 | 43-58 | 41 | 38 | 100 | 8.5 | 10.3 | 61*53*74 | 1 | 112 | 280 |
| JL8996 | 53 | 47 | 88-93 | 43-48 | 45 | 43 | 100 | 8.4 | 9.8 | 100*28*58 | 1 | 165 | 412 |
| JL895L | 56 | 47 | 71-81 | 40-50 | 43 | 29 | 100 | 4.9 | 6 | 57*49.5*24 | 1 | 395 | 985 |
| JL8202 | 54 | 54 | 88 | 48 | | | 100 | 4.6 | 6.1 | 48*44*34 | 1 | 380 | 930 |
| JL8971 | 20 | 38 | 71 | 46 | 20 | 39 | 100 | 3.1 | 3.83 | 21*39*70 | 1 | 460 | 1160 |
| JL8972 | 20 | 38 | 71 | 46 | 20 | 39 | 100 | 3.1 | 3.83 | 21*39*70 | 1 | 460 | 1160 |



JL899



JLC00401



JL898



JLC00501



JL897



JLC00701



JL696L

JL696



JL894

JL894L



JL813



JL814



JL8801L



JL810

| MODEL | Icons | | | | | | | | | | | PCS/CN | 20" FCL (PCS) | 40" FCL (PCS) |
|----------|--------------|------------|--------------|-------------|-----------|------------|-----------------|-----------------|---------|---------|------------------|--------|---------------|---------------|
| | TOTAL LENGTH | SEAT WIDTH | TOTAL HEIGHT | SEAT HEIGHT | WHEEL DIA | SEAT DEPTH | BACKREST HEIGHT | WEIGHT CAP (KG) | NW (KG) | GW (KG) | CARTON SIZE (CM) | | | |
| JL899 | 54 | 46 | 83 | 44 | - | 35 | 44 | 100 | 18 | 20.5 | 84*54*36 | 4 | 725 | 1810 |
| JL898 | 40 | 38 | 38 | 37 | - | 40 | - | 100 | 6.3 | 7.3 | 72*39.5*26 | 4 | 1450 | 3620 |
| JL897 | 40 | 38 | 47 | 47 | - | 40 | - | 100 | 15.5 | 17.5 | 63*40*44 | 6 | 1500 | 3730 |
| JLC00401 | 57 | 53 | 70-80 | 42-52 | - | 38 | 23 | 100 | 5.8 | 7 | 55*23*88 | 1 | 250 | 600 |
| JLC00501 | 40 | 48 | 85 | 51 | 3" | 37 | 38 | 100 | 4.7 | 5.9 | 104*24*52 | 1 | 210 | 520 |
| JLC00701 | 50 | 40 | 83-96 | 43-56 | - | 40 | 38 | 180 | 4.3 | 5.2 | 55*20*52.5 | 1 | 480 | 1180 |

| MODEL | Icons | | | | | | | | | | | PCS/CN | 20" FCL (PCS) | 40" FCL (PCS) |
|---------|--------------|------------|--------------|-------------|-----------|------------|-----------------|-----------------|---------|---------|------------------|--------|---------------|---------------|
| | TOTAL LENGTH | SEAT WIDTH | TOTAL HEIGHT | SEAT HEIGHT | WHEEL DIA | SEAT DEPTH | BACKREST HEIGHT | WEIGHT CAP (KG) | NW (KG) | GW (KG) | CARTON SIZE (CM) | | | |
| JL696 | 52 | 42 | 75-85 | 47-57 | 3" | 40 | 30 | 100 | 8 | 9 | 54.5*21*76 | 1 | 320 | 780 |
| JL894L | 52 | 42 | 74-84 | 46-56 | - | 40 | 30 | 100 | 8 | 9 | 52*20*75 | 1 | 350 | 860 |
| JL813 | 50 | 48 | 62-72 | 36-46 | - | 41 | 28 | 100 | 6.3 | 7.6 | 56*40*35.5 | 1 | 337 | 840 |
| JL814 | 52.5 | 49 | 67.5-77.5 | 41-51 | - | 40 | 28 | 100 | 6.2 | 7.2 | 56*40*35.5 | 1 | 340 | 850 |
| JL8801L | 46 | 49 | 64-74 | 44-54 | - | 37 | 18 | 100 | 3.5 | 5 | 65*43*63 | 1 | 152 | 380 |
| JL810 | 55 | 45 | 58-68 | 41-51 | - | 40 | 33 | 100 | 5.8 | 6.8 | 57*20.5*50 | 1 | 460 | 1145 |



JL7991L



JL7992LU



JLX00101



JL799L



JL793S



JL794LBS



JL794L



JL794LS



JL792



JL3641L



JL790



JL7901L



JL797L



JL7962L



JL7961L



JL796L

| MODEL | TOTAL LENGTH | SEAT WIDTH | TOTAL HEIGHT | SEAT HEIGHT | SEAT DEPTH | BACKREST HEIGHT | WEIGHT CAP(KG) | NW(KG) | GW(KG) | CARTON SIZE (CM) | PCS/CN | 20' FCL (PCS) | 40' FCL (PCS) |
|----------|--------------|------------|--------------|-------------|------------|-----------------|----------------|--------|--------|------------------|--------|---------------|---------------|
| JL7991L | 64 | 64 | 84-94 | 46-56 | 42 | 38 | 100 | 13 | 15 | 70*45*52 | 2 | 330 | 820 |
| JL7992LU | 63 | 63 | 83-93 | 45-55 | 42 | 38 | 100 | 11 | 13.5 | 74*51*91.5 | 2 | 160 | 390 |
| JLX00101 | 45 | 45 | 75-84 | 43-52 | 45 | 32 | 190 | 5 | 5.2 | 57*17*46 | 1 | 600 | 1510 |
| JL799L | 55 | 68 | 83-96 | 46-56 | 41 | 38 | 110 | 8.4 | 9.5 | 74*22*46 | 2 | 720 | 1785 |
| JL793S | 46.5 | 40 | 50 | 14 | 40 | 38.5 | 110 | 8.8 | 11.8 | 75*56*45 | 2 | 285 | 706 |
| JL794LBS | 39 | 41 | 46 | 8 | 22 | 39 | 110 | 5 | 6 | 46*41*36 | 2 | 795 | 1970 |
| JL794L | 22 | 41 | 18 | 7 | 22 | - | 110 | 2.8 | 3.8 | 76*26*28 | 2 | 970 | 2420 |
| JL794LS | 22 | 41 | 18 | 8 | 22 | - | 110 | 3.2 | 3.6 | 42*23.5*21.5 | 2 | 2530 | 6300 |

| MODEL | TOTAL LENGTH | SEAT WIDTH | TOTAL HEIGHT | SEAT HEIGHT | SEAT DEPTH | BACKREST HEIGHT | WEIGHT CAP(KG) | NW(KG) | GW(KG) | CARTON SIZE (CM) | PCS/CN | 20' FCL (PCS) | 40' FCL (PCS) |
|---------|--------------|------------|--------------|-------------|------------|-----------------|----------------|--------|--------|------------------|--------|---------------|---------------|
| JL792 | 58 | 40 | 80-90 | 49-59 | 36 | 35 | 100 | 9.2 | 10.6 | 69*51*56 | 2 | 280 | 680 |
| JL3641L | 56.5 | 50 | 85.5-98 | 50-62.5 | 34 | 37.5 | 100 | 4.7 | 5.4 | 51*37*26.5 | 1 | 540 | 1350 |
| JL790 | 50 | 38 | 52 | 46 | 30 | - | 110 | 7 | 8.5 | 51*18*72 | 2 | 815 | 2025 |
| JL7901L | 56 | 51 | 34-47 | 43-47 | 31 | - | 100 | 2.3 | 2.9 | 57*10.5*56 | 1 | 800 | 1990 |
| JL797L | 51 | 57 | 39-49 | 35-45 | 31 | - | 110 | 3.6 | 4.2 | 35*17*60 | 2 | 1500 | 3750 |
| JL7962L | 51 | 41 | 73-83 | 34-44 | 37 | 41 | 100 | 7.4 | 8.8 | 59*49*75 | 2 | 250 | 620 |
| JL7961L | 54 | 41 | 35-45 | 35-45 | 38 | - | 110 | 3.9 | 4.9 | 49*28*50 | 2 | 785 | 1950 |
| JL796L | 61.5 | 42 | 70-80 | 35-45 | 38 | 36 | 110 | 6.5 | 7 | 53*25*54 | 2 | 752 | 1870 |



JL780LH



JL797LH



JL798LH



JL738LQ



JL798L



JL736LQ



JL738LH



JL7361LQH



JL736LH



JL736L



JL780L



JL7801



JL569



JL781L



JL568



JL7802



JL570



JL571

| MODEL | TOTAL LENGTH | SEAT WIDTH | TOTAL HEIGHT | SEAT HEIGHT | SEAT DEPTH | BACKREST HEIGHT | WEIGHT CAP(KG) | NW(KG) | GW(KG) | CARTON SIZE (CM) | PCS/CN | 20' FCL (PCS) | 40' FCL (PCS) |
|-----------|--------------|------------|--------------|-------------|------------|-----------------|----------------|--------|--------|------------------|--------|---------------|---------------|
| JL780LH | 33 | 32 | 38-56 | 38-56 | 32 | - | 136 | 9.6 | 10.5 | 37*44*50 | 6 | 1965 | 4935 |
| JL797LH | 39 | 50.5 | 39-49 | 35-45 | 30.5 | - | 136 | 3.6 | 4.3 | 37*20*65 | 2 | 1120 | 2785 |
| JL798LH | 44 | 50 | 75-85 | 35-45 | 38 | 36 | 136 | 6.2 | 7 | 36*34*61.5 | 2 | 715 | 1778 |
| JL738LH | 53.5 | 42 | 35-45 | 35-45 | 38 | 33 | 136 | 5.2 | 6.2 | 66*23*37 | 2 | 960 | 2385 |
| JL7361LQH | 50 | 40 | 71-81 | 37-47 | 41 | - | 136 | 5.4 | 6.1 | 35*27*65 | 2 | 878 | 2180 |
| JL736LH | 50 | 40 | 71-81 | 37-47 | 41 | 36 | 136 | 6.2 | 7.1 | 40*30*65 | 2 | 690 | 1718 |
| JL569 | 47 | 41 | 2 | 26 | 22 | - | 110 | 10 | 11.2 | 48*42*41.5 | 2 | 645 | 1600 |
| JL781L | 23 | 41 | 21-26 | 21-26 | 22 | - | 110 | 2.4 | 3 | 46*26*26 | 2 | 1736 | 4310 |
| JL568 | 25 | 41 | 15 | 15 | 22 | - | 110 | 3.2 | 3.7 | 42*26*17 | 2 | 2039 | 5065 |

| MODEL | TOTAL LENGTH | SEAT WIDTH | TOTAL HEIGHT | SEAT HEIGHT | SEAT DEPTH | BACKREST HEIGHT | WEIGHT CAP(KG) | NW(KG) | GW(KG) | CARTON SIZE (CM) | PCS/CN | 20' FCL (PCS) | 40' FCL (PCS) |
|---------|--------------|------------|--------------|-------------|------------|-----------------|----------------|--------|--------|------------------|--------|---------------|---------------|
| JL738LQ | 45 | 50 | 66-76 | 33-43 | 38 | 36 | 110 | 5 | 5.8 | 39*23*61.5 | 2 | 980 | 2430 |
| JL798L | 44 | 51 | 75-85 | 35-45 | 31 | 42 | 110 | 5 | 5.8 | 39*23*61.5 | 2 | 980 | 2430 |
| JL736LQ | 46 | 40 | 69-79 | 36-46 | 33 | 35 | 110 | 6.4 | 7.3 | 40*32*65 | 2 | 649 | 1610 |
| JL736L | 47 | 40 | 71-81 | 37-47 | 33 | 36 | 110 | 6.2 | 7.1 | 40*30*62 | 2 | 728 | 1801 |
| JL780L | 33 | 32 | 38-56 | 38-56 | 32 | - | 110 | 1.5 | 1.8 | 42*7.5*36 | 1 | 2380 | 5900 |
| JL7801 | 46 | 30 | 76 | 45 | 30 | - | 110 | 1.5 | 1.8 | 42*7.5*36 | 1 | 2380 | 5900 |
| JL7802 | 38 | 36 | 41-58 | 38 | 36 | - | 110 | 3 | 3.5 | 40*40*45 | 1 | 375 | 971 |
| JL570 | 61 | 33.4 | 20 | - | - | - | 100 | 2.64 | 3.36 | 35*79*2 | 1 | 4880 | 12100 |
| JL571 | 61 | 33.4 | 20 | - | - | - | 100 | 2.64 | 3.36 | 35*79*2 | 1 | 4880 | 12100 |



JLX00201



JLX00202



JL7952



JL7951



JLX00203



JL7942



JL7955



JL7956



JL7944



JL7958

JL7959

JL7977

JL7947

SPECIFICATIONS:12"16",18",24" STAINLESS STEEL GRAB BAR SPECIFICATIONS:12"16",18",24" SPECIFICATIONS:12",18",24"



JL7945



JL7946



JL7957



JL7948



JL7943



JL7941

| MODEL | TOTAL LENGTH | SEAT WIDTH | TOTAL HEIGHT | SEAT HEIGHT | WEIGHT CAP(KG) | NW(KG) | GW(KG) | CARTON SIZE (CM) | PCS/CN | 20" FCL (PCS) | 40" FCL (PCS) |
|----------|--------------|------------|--------------|-------------|----------------|--------|--------|------------------|--------|---------------|---------------|
| JLX00201 | 38 | 40 | 42 | 42 | 180 | 2 | 2.5 | 49*9.5*43cm | 1 | 1390 | 3390 |
| JLX00202 | 40 | 36 | 46 | 47 | 100 | 2.42 | 3.52 | 54.5*47.5*25 | 1 | 430 | 1040 |
| JL7952 | 38 | 35 | 36 | - | 100 | 1.78 | 5.8 | 39*9.5*35 | 1 | 2090 | 5170 |
| JL7951 | 40 | 49 | 44-49 | 40-46 | 110 | 5.1 | 5.8 | 50*17*44 | 1 | 722 | 1790 |
| JLX00203 | 38 | 38 | 40-50 | 40-50 | 100 | 8.1 | 9 | 57.5*39*25 | 2 | 980 | 2400 |
| JL7942 | 21 | 25 | 55 | - | 100 | 2.4 | 3 | 22*18*56 | 1 | 1250 | 3050 |
| JL7955 | 52 | 60 | 87-90 | - | 180 | 3.42 | 4.22 | 53.5*14*65 | 1 | 560 | 1380 |
| JL7956 | 52 | 60 | 66.5-79 | - | 180 | 2.44 | 3.04 | 49*12*65 | 1 | 710 | 1750 |
| JL7944 | - | - | - | - | 100 | 6.5 | 7.5 | 58*38*46 | 5 | 1330 | 3300 |

| MODEL | TOTAL LENGTH | SEAT WIDTH | TOTAL HEIGHT | SEAT HEIGHT | WEIGHT CAP(KG) | NW(KG) | GW(KG) | CARTON SIZE (CM) | PCS/CN | 20" FCL (PCS) | 40" FCL (PCS) |
|-----------|--------------|------------|--------------|-------------|----------------|--------|--------|------------------|--------|---------------|---------------|
| JL7958 | - | - | - | - | - | - | - | - | - | - | - |
| JL7959 | - | - | - | - | - | - | - | - | - | - | - |
| JL7977 | - | - | - | - | - | - | - | - | - | - | - |
| JL7947(S) | - | - | - | - | - | 34 | 35.5 | 105*42*21 | - | - | - |
| JL7947(M) | - | - | - | - | - | 36 | 37.6 | 105*48*21 | - | - | - |
| JL7947(L) | - | - | - | - | - | 39.5 | 40.9 | 105*50*21 | - | - | - |
| JL7945 | - | - | - | - | - | 20.5 | 21.8 | 65*58*20 | 10 | 3580 | 8875 |
| JL7946 | - | - | - | - | - | 5.82 | 6.5 | 44*42*18 | 4 | 3240 | 8050 |
| JL7957 | - | - | - | - | - | 1 | 1.36 | 62.5*9*21 | 1 | 4000 | 10000 |
| JL7948 | - | - | - | - | - | 23.5 | 24.4 | 65*28*40 | 10 | 3700 | 9200 |
| JL7943 | - | - | - | - | - | 4.8 | 5.6 | 69*17*25 | 2 | 1840 | 4565 |
| JL7941 | - | - | - | - | - | 3 | 3.3 | 16*17.5*51 | 1 | 1890 | 4690 |



JLW00105L

LIGHT WEIGHT ALUMINUM, 8" PVC WHEELS PROVIDE MORE DURABLE, HANDLE HEIGHT ADJUSTABLE IN 6 INCREMENTS, BOTH FRONT AND REAR WHEELS REMOVABLE, MESH CLOTH BAG ATTACHED

JL9189LH

HEAVY DUTY RED ALUMINUM ALLOY LIGHTWEIGHT FRAME, EASY TO FOLD, CONVENIENT FOR THE ELDERLY TO CARRY OUT, HEIGHT ADJUSTABLE, FLEXIBLE FOR USING 10" CASTOR



JL9181LH

ALUMINUM FRAME, ADJUSTABLE HANDLE HEIGHT, SOFT PVC SEAT, HANDLE GRIPS WITH BRAKE SYSTEM, FOLDABLE FOOTREST, 8" FRONT CASTOR DETACHABLE FRONT WHEEL

JL9180LH

ALUMINUM FRAME, ADJUSTABLE HANDLE HEIGHT, SOFT PVC SEAT, HANDLE GRIPS WITH BRAKE SYSTEM, WITH BAG



JLW00102L

ALUMINUM ALLOY FRAME, 6-SPEED HANDLE HEIGHT ADJUSTMENT, BRAKE AND PARKING, SHOPPING BAG INCLUDED

JLW00101L

6 LEVEL ADJUSTMENTS CAN BE MADE FOR ARM, HIGH QUALITY PADDED, FOREARM SUPPORTS RELIEVE PRESSURE, BRAKE HANDLES CAN BE ADJUSTED, SHOPPING BAG ATTACHED

| MODEL | UNFOLDED WIDTH | SEAT WIDTH | TOTAL HEIGHT | SEAT HEIGHT | REAR WHEEL DIA | FRONT WHEEL DIA | TOTAL LENGTH | SEAT DEPTH | BACKREST HEIGHT | WEIGHT CAP(KG) | NW(KG) | GW(KG) | CARTON SIZE (CM) | PCS/CN | 20" FCL (PCS) | 40" FCL (PCS) |
|----------|----------------|------------|--------------|-------------|----------------|-----------------|--------------|------------|-----------------|----------------|--------|--------|------------------|--------|---------------|---------------|
| JL9181LH | 66 | 46 | 81-93 | 54 | 8" | 8" | 72 | 25 | 23-25 | 100 | 8.2 | 9.2 | 34*28.6*65 | 1 | 426 | 1060 |
| JL9180LH | 62 | 46 | 83-96 | 54 | 8" | 8" | 67 | 25 | 31-41 | 100 | 7.3 | 8.2 | 34*28.5*68 | 1 | 409 | 1015 |

| MODEL | UNFOLDED WIDTH | SEAT WIDTH | TOTAL HEIGHT | SEAT HEIGHT | REAR WHEEL DIA | FRONT WHEEL DIA | TOTAL LENGTH | SEAT DEPTH | BACKREST HEIGHT | WEIGHT CAP(KG) | NW(KG) | GW(KG) | CARTON SIZE (CM) | PCS/CN | 20" FCL (PCS) | 40" FCL (PCS) |
|-----------|----------------|------------|--------------|-------------|----------------|-----------------|--------------|------------|-----------------|----------------|--------|--------|------------------|--------|---------------|---------------|
| JLW00105L | 61.5 | 50 | 82-95 | 55 | 8" | 8" | 70 | 25 | - | 100 | 5.8 | 6.6 | 63*46*23 | 1 | 410 | 1010 |
| JL9189LH | 62 | 45 | 79-87 | 55 | 8" | 10" | 71.5 | 22 | - | 100 | 8.7 | 10.2 | 72.5*25*80 | 1 | 190 | 465 |
| JLW00102L | 62 | 47 | 85-98 | 55 | 8" | 8" | 82 | 25 | - | 100 | 7.5 | 8.2 | 44*22*57 | 1 | 500 | 1230 |
| JLW00101L | 62 | 47 | 101-113 | 60 | 8" | 10" | 87 | 31 | - | 100 | 8.5 | 9.5 | 49*26*63 | 1 | 340 | 840 |



JLW00104L

2-IN-1 EURO STYLE, ALUMINUM LIGHTWEIGHT CONSTRUCTION, PUSH-BUTTON HEIGHT-ADJUSTABLE OPENING, HANDLE WITH RING BRAKE, MESH SEAT WITH PULL-UP STRAPS AND FOLDS EASILY, CANE HOLDER ATTACHED



JLW00301L

CARBON BRAZING FRAME, FOLDABLE AND EASY TO CARRY. HANDLE HEIGHT ADJUSTMENT WITH ONE BUTTON. EVA FOAM 8" FRONT AND REAR WHEELS. WITH BRAKE HANDLE



JL9188LH

ALUMINUM FRAME, ADJUSTABLE HANDLE HEIGHT, SOFT PVC SEAT, HANDLE GRIPS WITH BRAKE SYSTEM, DETACHABLE BACKREST, WITH BAG



JL9912

POWDER COATING STEEL FRAME, HANDLE GRIPS WITH SLOWLY BRAKE AND PARKING BRAKE SYSTEM, CAN BE FOLDED. ADJUSTABLE ANGLE OF INFRONT WHEEL WITH BASKET WITH LOCK BRAKE



JL9913

POWDER COATING STEEL FRAME, HANDLE GRIPS WITH SLOWLY BRAKE AND PARKING BRAKE SYSTEM, CAN BE FOLDED, ADJUSTABLE ANGLE OF INERONT WHEEL, WITH DETACHABLE BAG



JL969H

STEEL FRAME, ADJUSTABLE HANDLE HEIGHT, HANDLE GRIPS WITH BRAKE SYSTEM, WITH SHOPPING BASKET AND BAG



JL914H

STEEL FRAME, ADJUSTABLE HANDLE HEIGHT, SOFT PVC SEAT, HANDLE GRIPS WITH BRAKE SYSTEM, WITH SHOPPING BASKET

| MODEL | UNFOLDED WIDTH | SEAT WIDTH | TOTAL HEIGHT | SEAT HEIGHT | REAR WHEEL DIA | FRONT WHEEL DIA | TOTAL LENGTH | SEAT DEPTH | BACKREST HEIGHT | WEIGHT CAP(KG) | NW(KG) | GW(KG) | CARTON SIZE (CM) | PCS/CN | 20' FCL (PCS) | 40' FCL (PCS) |
|-----------|----------------|------------|--------------|-------------|----------------|-----------------|--------------|------------|-----------------|----------------|--------|--------|------------------|--------|---------------|---------------|
| JLW00104L | 64 | 50 | 84-97 | 55 | 8" | 8" | 105 | 32 | - | 100 | 8.9 | 9.6 | 61*50*24.5 | 1 | 365 | 900 |
| JLW00301L | 60.5 | 46 | 87-95 | 55 | 8" | 8" | 67 | 25 | 24-34 | 100 | 6 | 9 | 70*25.5*85 | 1 | 175 | 440 |
| JL9912 | 57 | 42 | 84 | 42.5 | 7" | 7" | 60.5 | 34 | 21 | 110 | 7.5 | 9.3 | 83*57*37 | 1 | 154 | 382 |
| JL9913 | 52 | 42 | 94 | 43 | 7" | 7" | 55 | 34.5 | 28 | 110 | 6.6 | 8.3 | 92*50*33 | 1 | 181 | 451 |

| MODEL | UNFOLDED WIDTH | SEAT WIDTH | TOTAL HEIGHT | SEAT HEIGHT | REAR WHEEL DIA | FRONT WHEEL DIA | TOTAL LENGTH | SEAT DEPTH | BACKREST HEIGHT | WEIGHT CAP(KG) | NW(KG) | GW(KG) | CARTON SIZE (CM) | PCS/CN | 20' FCL (PCS) | 40' FCL (PCS) |
|----------|----------------|------------|--------------|-------------|----------------|-----------------|--------------|------------|-----------------|----------------|--------|--------|------------------|--------|---------------|---------------|
| JL9188LH | 60 | 43 | 84-102 | 54-62 | 8" | 8" | 67 | 33 | 26 | 100 | 6.7 | 8 | 60*53.5*17 | 1 | 500 | 1230 |
| JL969H | 65 | - | 82-97 | - | 8" | 8" | 58 | - | - | 110 | 7.4 | 8.5 | 64*23*71 | 1 | 258 | 641 |
| JL914H | 62 | 43 | 77-91 | 62 | 8" | 8" | 69 | 16 | - | 110 | 10.3 | 11.3 | 58*26*70 | 1 | 255 | 630 |



JL965LH

LIQUID COATED ALUMINUM FRAME, ADJUSTABLE HANDLE HEIGHT, UPHOLSTERED SEAT, HANDLE GRIPS WITH BRAKE SYSTEM, DETACHABLE PADDED BACKREST, WITH WIRE BASKET, 8" SOLID CASTOR



JL966LH

LIQUID COATED ALUMINUM FRAME, ADJUSTABLE HANDLE HEIGHT, UPHOLSTERED SEAT, HANDLE GRIPS WITH BRAKE SYSTEM, DETACHABLE PADDED BACKREST, WITH WIRE BASKET, 6" SOLID CASTOR



JL9192

CONSTRUCTED WITH STEEL, 8" PVC WHEELS, HEIGHT ADJUSTABLE, PU KNEE PADS, ATTACHED REMOVABLE SHOPPING BAG



JL9190

CONSTRUCTED WITH STEEL, 8" PVC WHEELS, HEIGHT ADJUSTABLE, PU KNEE PADS, ATTACHED REMOVABLE SHOPPING BAG



JL965LHT

LIQUID COATED ALUMINUM FRAME, ADJUSTABLE HANDLE HEIGHT, HANDLE GRIPS WITH BRAKE SYSTEM, DETACHABLE PADDED BACKREST, SHOPPING BASKET, FOLDABLE FOOTREST



JL964LH

LIQUID COATED ALUMINUM FRAME, WITH PU PUSH PADDLE & BRAKE SYSTEM, HEIGHT ADJUSTABLE, 200*50 PU CASTORS



JL9191

CONSTRUCTED WITH STEEL, 8" PVC WHEELS, HEIGHT ADJUSTABLE, PU KNEE PADS, ATTACHED REMOVABLE SHOPPING BAG



JLZ00101

REHABILITATION TRAINING WALKER DURABLE HIGH-STRENGTH STEEL CONSTRUCTION, ADJUSTABLE LAP BELT TO SECURE YOUR CENTER OF GRAVITY, BRAKES CAN BE MOUNTED ON EITHER SIDE, SEAT ADJUSTABLE

| MODEL | UNFOLDED WIDTH | SEAT WIDTH | TOTAL HEIGHT | SEAT HEIGHT | REAR WHEEL DIA | FRONT WHEEL DIA | TOTAL LENGTH | SEAT DEPTH | BACKREST HEIGHT | WEIGHT CAP (KG) | NW (KG) | GW (KG) | CARTON SIZE (CM) | PCS/CN | 20" FCL (PCS) | 40" FCL (PCS) |
|----------|----------------|------------|--------------|-------------|----------------|-----------------|--------------|------------|-----------------|-----------------|---------|---------|------------------|--------|---------------|---------------|
| JL965LH | 62 | 45.5 | 79-91 | 56 | 8" | 8" | 69 | 32 | 25 | 110 | 8 | 9 | 60*22*83.5 | 1 | 250 | 610 |
| JL966LH | 62 | 45.5 | 81-91 | 56 | 6" | 6" | 62 | 32 | 24 | 110 | 7.3 | 8.6 | 62*23*83 | 1 | 230 | 570 |
| JL965LHT | 62 | 45.5 | 79-91 | 55 | 8" | 8" | 94 | 32 | 23 | 110 | 8 | 9 | 60*22*83.5 | 1 | 245 | 607 |
| JL964LH | 74 | 56 | 115-126 | 55 | 8" | 8" | 69 | 30 | - | 200 | 13.8 | 15 | 73*22.5*86 | 1 | 195 | 478 |

| MODEL | UNFOLDED WIDTH | SEAT WIDTH | TOTAL HEIGHT | SEAT HEIGHT | REAR WHEEL DIA | FRONT WHEEL DIA | TOTAL LENGTH | SEAT DEPTH | BACKREST HEIGHT | WEIGHT CAP (KG) | NW (KG) | GW (KG) | CARTON SIZE (CM) | PCS/CN | 20" FCL (PCS) | 40" FCL (PCS) |
|----------|----------------|------------|--------------|-------------|----------------|-----------------|--------------|------------|-----------------|-----------------|---------|---------|------------------|--------|---------------|---------------|
| JL9192 | 92 | - | 86-107 | - | 9" | 9" | - | - | - | 100 | 9.7 | 11.3 | 71.5*29*88 | 1 | 147 | 367 |
| JL9190 | 92 | - | 86-107 | - | 9" | 9" | - | - | - | 100 | 9.7 | 11.3 | 55.5*46*44 | 1 | 147 | 367 |
| JL9191 | 92 | - | 86-107 | - | 9" | 9" | - | - | - | 100 | 9.7 | 11.3 | 73.5*44*27 | 1 | 147 | 367 |
| JLZ00101 | 65 | - | 90 | 69-86 | 8" | 8" | 85 | - | - | 100 | 9 | 10 | 64*21*67 | 1 | 300 | 750 |



JL9633L



JLZ00201



JLZ00301



JLZ00401



JLZ00202



JL961L



JLZ00501



JL9636L



JL9632L



JL963L



JL918L



JL9637L

| MODEL | UNFOLDED WIDTH | SEAT WIDTH | TOTAL HEIGHT | WHEEL DIA | WEIGHT CAP(KG) | NW(KG) | GW(KG) | CARTON SIZE (CM) | PCS/CN | 20" FCL (PCS) | 40" FCL (PCS) |
|----------|----------------|------------|--------------|-----------|----------------|--------|--------|------------------|--------|---------------|---------------|
| JL9633L | 55 | 50 | 52-100 | - | 100 | 4.4 | 6 | 57*22*87 | 1 | 250 | 620 |
| JLZ00201 | 53 | 44 | 78-89 | 5" | 100 | 5 | 6.3 | 54*35.5*76 | 1 | 185 | 460 |
| JLZ00202 | 53 | 44 | 78-89 | - | 100 | 5 | 6.3 | 54*35.5*76 | 1 | 185 | 460 |
| JL961L | 55 | 46 | 75-92 | - | 100 | 13.6 | 15 | 59*33*76 | 4 | 730 | 1810 |
| JL9632L | 55 | 50 | 82*100 | - | 100 | 10 | 11.4 | 56*28*85 | 4 | 810 | 2010 |
| JL963L | 56 | 46 | 77-95 | - | 100 | 10 | 11.4 | 54*30*79 | 4 | 840 | 2090 |

| MODEL | UNFOLDED WIDTH | SEAT WIDTH | TOTAL HEIGHT | WHEEL DIA | WEIGHT CAP(KG) | NW(KG) | GW(KG) | CARTON SIZE (CM) | PCS/CN | 20" FCL (PCS) | 40" FCL (PCS) |
|----------|----------------|------------|--------------|-----------|----------------|--------|--------|------------------|--------|---------------|---------------|
| JLZ00301 | 59 | 45 | 80-90 | 5" | 100 | 11 | 12.4 | 61.5*35*84 | 4 | 600 | 1480 |
| JLZ00401 | 52 | 44 | 106-121 | 5" | 100 | 4.15 | 5.35 | 54*15*81 | 1 | 420 | 1020 |
| JLZ00501 | 76 | 45 | 116-149 | 5" | 100 | 3.7 | 4.7 | 54*15*81 | 1 | 420 | 1030 |
| JL9636L | 66.5 | 64 | 81-99 | 8" | 100 | 4 | 5.3 | 72*15.5*89 | 1 | 271 | 674 |
| JL918L | 58 | 53 | 80-90 | 2" | 100 | 10 | 11.5 | 60.5*32*85 | 4 | 655 | 1628 |
| JL9637L | 75 | 45 | 85-110 | 5" | 100 | 12 | 13.4 | 64.5*31*82 | 4 | 369 | 915 |



JL913L(S)
JL913L



JL9125L
JL912L



JL967LW
JL967L



JL915L



JL919LT
JL919L



JL9162L



JL9124L



JL9122L



JL9123L(L)



JL9123L(S)



JL9143



JL9101

| MODEL | UNFOLDED WIDTH | SEAT WIDTH | TOTAL HEIGHT | WHEEL DIA | WEIGHT CAP(KG) | NW(KG) | GW(KG) | CARTON SIZE (CM) | PCS/CN | 20" FCL (PCS) | 40" FCL (PCS) |
|---------|----------------|------------|--------------|-----------|----------------|--------|----------|------------------|--------|---------------|---------------|
| JL913L | 57 | 46 | 78-96 | - | 100 | 9.6 | 11 | 54*30*79 | 4 | 840 | 2100 |
| JL912L | 63.5 | 50 | 78-86 | 4" | 100 | 11 | 62*30*82 | 4 | 685 | 1700 | |
| JL967L | 58 | 45 | 79-97 | - | 100 | 10.8 | 12.2 | 54*30*75 | 4 | 886 | 2202 |
| JL915L | 52 | 46 | 78-96 | - | 100 | 10.4 | 11.6 | 54*30*79 | 4 | 840 | 2100 |
| JL919L | 57 | 46 | 78-96 | - | 100 | 9.6 | 11.8 | 54*30*79 | 4 | 840 | 2100 |
| JL9162L | 55 | 55 | 62-75 | - | 100 | 2.2 | 2.7 | 54*13*38 | 1 | 1000 | 2500 |

| MODEL | UNFOLDED WIDTH | SEAT WIDTH | TOTAL HEIGHT | WHEEL DIA | WEIGHT CAP(KG) | NW(KG) | GW(KG) | CARTON SIZE (CM) | PCS/CN | 20" FCL (PCS) | 40" FCL (PCS) |
|------------|----------------|------------|--------------|-----------|----------------|--------|--------|------------------|--------|---------------|---------------|
| JL9124L | 52 | 70 | 48-59 | 4" | 100 | 8 | 9.2 | 68*15*96 | 1 | 420 | 1050 |
| JL9122L | 52 | 50 | 45-55 | 3" | 100 | 5.9 | 7.5 | 66*26.5*91 | 2 | 440 | 670 |
| JL9123L(L) | 67.5 | 85.5 | 85-104 | 5" | 100 | 10 | 12 | 83*20*97 | 2 | 340 | 840 |
| JL9123L(S) | 69 | 72 | 60-80 | 4" | 100 | 8 | 9.3 | 80*19*75 | 2 | 472 | 1175 |
| JL9143 | 46 | 32 | 50-62 | 6" | 100 | 3.9 | 4.5 | 47*17*56 | 1 | 602 | 1496 |
| JL9101 | 62 | 38 | 57-81 | 3" | 100 | 5.5 | 6.2 | 67*12*40 | 1 | 835 | 2080 |



JL914L



JL9145L(S)



JL9102L



JL9103



JL9141



JLQ00301L



JL917L(L/M/S)



JL9144



JL9104



JL9100L

| MODEL | UNFOLDED WIDTH | SEAT WIDTH | TOTAL HEIGHT | WHEEL DIA | WEIGHT CAP(KG) | NW(KG) | GW(KG) | CARTON SIZE (CM) | PCS/CN | 20' FCL (PCS) | 40' FCL (PCS) |
|------------|----------------|------------|--------------|-----------|----------------|--------|--------|------------------|--------|---------------|---------------|
| JL914L | 60 | 51 | 82-92 | 4" | 100 | 7.5 | 9.2 | 61*36*91 | 2 | 270 | 670 |
| JL9145L(S) | 53 | 41 | 48-58 | - | 100 | 2.8 | 3.8 | 54*21*60 | 2 | 792 | 1965 |
| JL9141 | 58 | 46 | 76-94 | 4.5" | 100 | 4.1 | 4.9 | 53*15*73 | 1 | 465 | 1153 |
| JLQ00301L | 54 | 46 | 78-83 | - | 100 | 1.5 | 2 | 37*16*54 | 1 | 830 | 2090 |
| JL917L(S) | 51 | 42 | 65-75 | - | 100 | 13.6 | 15.8 | 76*66*35 | 10 | 1550 | 3580 |
| JL917L(M) | 53 | 43 | 75-85 | - | 100 | 14.4 | 16.8 | 86*68*35 | 10 | 1350 | 3300 |
| JL917L(L) | 55 | 44 | 85-95 | - | 100 | 15.1 | 17.8 | 96*68*35 | 10 | 1200 | 2950 |
| JL9144 | 59 | 54 | 84.5-101 | 4" | 100 | 4.4 | 5.7 | 60*20*94 | 1 | 240 | 600 |

| MODEL | UNFOLDED WIDTH | SEAT WIDTH | TOTAL HEIGHT | WHEEL DIA | WEIGHT CAP(KG) | NW(KG) | GW(KG) | CARTON SIZE (CM) | PCS/CN | 20' FCL (PCS) | 40' FCL (PCS) |
|---------|----------------|------------|--------------|-----------|----------------|--------|--------|------------------|--------|---------------|---------------|
| JL9102L | 65 | 73 | 110-133 | 5" | 100 | 11.6 | 13.1 | 75*22.5*89 | 1 | 179 | 446 |
| JL9103 | 60 | 65 | 115-140 | 10" | 100 | 18 | 20 | 87*73*23 | 1 | 184 | 458 |
| JL9104 | 73 | 88.5 | 110-133 | 5" | 100 | 11.5 | 13.9 | 89.5*74*34 | 1 | 120 | 295 |
| JL9100L | 83.5 | 62.5 | 106-121 | 8" | 100 | 7.5 | 8.8 | 63*30*98 | 1 | 145 | 360 |



| MODEL | TOTAL HEIGHT | WEIGHT CAP(KG) | NW(KG) | GW(KG) | CARTON SIZE (CM) | PCS/CN |
|------------|--------------|----------------|--------|--------|------------------|--------|
| JL9301L-2 | 71-94 | 100 | 7.2 | 7.7 | 74*30*21 | 20 |
| JL9208L | 71-94 | 100 | 7.2 | 7.7 | 74*30*21 | 20 |
| JL9451 | 72-94 | 100 | 7.2 | 7.7 | 74*30*21 | 20 |
| MODEL | TOTAL HEIGHT | WEIGHT CAP(KG) | NW(KG) | GW(KG) | CARTON SIZE (CM) | PCS/CN |
| JL9207LW-3 | 71-49 | 100 | 7.2 | 7.7 | 74*30*21 | 20 |
| JL9207LW-2 | 71-49 | 100 | 7.2 | 7.7 | 74*30*21 | 20 |
| JL9450 | 78-97.5 | 100 | 10 | 11 | 70*34*45 | 20 |



| MODEL | TOTAL HEIGHT | WEIGHT CAP(KG) | NW(KG) | GW(KG) | CARTON SIZE (CM) | PCS/CN |
|-----------|--------------|----------------|--------|--------|------------------|--------|
| JL910L(a) | 90 | 100 | 6.5 | 7.5 | 95*15*26 | 20 |
| JL910L(b) | 90 | 100 | 6.5 | 7.5 | 95*15*26 | 20 |
| JL910L(c) | 90 | 100 | 6.5 | 7.5 | 95*15*26 | 20 |
| JL920L(2) | 71-94 | 100 | 7.1 | 7.6 | 65*16*27 | 20 |
| JL920L(3) | 71-94 | 100 | 7.1 | 7.6 | 65*16*27 | 20 |
| JL920L(7) | 71-94 | 100 | 7.1 | 7.6 | 65*16*27 | 20 |



| MODEL | TOTAL HEIGHT | WEIGHT CAP(KG) | NW(KG) | GW(KG) | CARTON SIZE (CM) | PCS/CN |
|-----------|--------------|----------------|--------|--------|------------------|--------|
| JL939L | 79-102 | 100 | 6.5 | 7 | 65*16*27 | 20 |
| JL9211L | 71-96 | 100 | 7 | 8 | 70*37*20 | 20 |
| JL9212L | 73-96 | 100 | 9.1 | 9.7 | 70*47.5*15.5 | 20 |
| JL9287L | 77.5-100 | 100 | 7.1 | 7.6 | 74*30*24 | 20 |
| JLG00402L | 74-97 | 100 | 0.3 | 0.5 | 70*15.7*3.8 | 1 |
| JLG00302 | 80-100 | 100 | 0.72 | 1.35 | 20.5*8*72 | 1 |

| MODEL | TOTAL HEIGHT | WEIGHT CAP(KG) | NW(KG) | GW(KG) | CARTON SIZE (CM) | PCS/CN |
|----------|--------------|----------------|--------|--------|------------------|--------|
| JL9233L | 81-91.5 | 100 | 9.1 | 9.7 | 70*30*22 | 20 |
| JL927L | 80-90 | 100 | 7.2 | 7.7 | 61*17*23 | 20 |
| JL9276L | 80-90 | 100 | 7.2 | 7.6 | 61*13*23 | 20 |
| JL9274L | 83.5-93.5 | 100 | 8 | 8.8 | 74*30*22 | 20 |
| JLG00401 | 79-96.5 | 100 | 0.37 | 0.5 | 75*34.5*54.5 | 20 |
| JLG00501 | 80-103 | 100 | 23 | 24 | 81*45*48 | 30 |



| MODEL | TOTAL HEIGHT | WEIGHT CAP(KG) | NW(KG) | GW(KG) | CARTON SIZE (CM) | PCS/CN |
|---------|--------------|----------------|--------|--------|------------------|--------|
| JL9280L | 75-98 | 100 | 6.2 | 7.3 | 77*33*17 | 20 |
| JL9281L | 75-98 | 100 | 6.2 | 7.3 | 77*33*17 | 20 |
| JL938L | 76-99 | 100 | 6 | 7 | 76*43*15 | 20 |
| JL9283L | 76-99 | 100 | 6 | 7 | 76*43*15 | 20 |
| JL9300L | 76-99 | 100 | 7.5 | 8.5 | 75*36*15 | 20 |
| JL936L | 33-119 | 100 | 9.1 | 9.7 | 65*17*22 | 40 |
| JL9361L | 33-119 | 100 | 9.1 | 9.7 | 65*17*22 | 40 |

| MODEL | TOTAL HEIGHT | WEIGHT CAP(KG) | NW(KG) | GW(KG) | CARTON SIZE (CM) | PCS/CN |
|----------|--------------|----------------|--------|--------|------------------|--------|
| JL937L-1 | 95-118 | 100 | 9.6 | 10.8 | 101*31*31 | 20 |
| JL937L-2 | 95-118 | 100 | 9.6 | 10.8 | 101*31*31 | 20 |
| JL937L-3 | 95-118 | 100 | 9.6 | 10.8 | 101*31*31 | 20 |
| JL937L-4 | 95-118 | 100 | 9.6 | 10.8 | 101*31*31 | 20 |
| JL937L-5 | 95-118 | 100 | 9.6 | 10.8 | 101*31*31 | 20 |
| JL937L-6 | 95-118 | 100 | 9.6 | 10.8 | 101*31*31 | 20 |



| MODEL | TOTAL HEIGHT | WEIGHT CAP(KG) | NW(KG) | GW(KG) | CARTON SIZE (CM) | PCS/CN |
|------------|--------------|----------------|--------|--------|------------------|--------|
| JL9335L | 87-117 | 100 | 10.6 | 11.6 | 88*31*31 | 20 |
| JL933LH | 95-125 | 100 | 11 | 13 | 94*31*31 | 20 |
| JL933L(XL) | 108-138 | 100 | 11.2 | 11.5 | 107*31*31 | 20 |
| JL933L(L) | 95-125 | 100 | 11 | 12 | 94*31*31 | 20 |
| JL933L(M) | 87-117 | 100 | 10.6 | 11.6 | 88*31*31 | 20 |
| JL933L(S) | 79-109 | 100 | 10 | 11 | 88*31*31 | 20 |

| MODEL | TOTAL HEIGHT | WEIGHT CAP(KG) | NW(KG) | GW(KG) | CARTON SIZE (CM) | PCS/CN |
|----------|--------------|----------------|--------|--------|------------------|--------|
| JL923L | 85-116 | 100 | 9.8 | 10.7 | 85*28*31 | 20 |
| JL9331L | 96-127 | 100 | 11.6 | 12.9 | 94*31*36 | 20 |
| JL933A | 85-116 | 100 | 0.4 | 9 | 86*24*34 | 20 |
| JLG00101 | 98-128 | 100 | 8 | 9.3 | 141*32*31 | 10 |
| JL9314L | 105-128 | 100 | 17 | 20 | 119*58*45 | 20 |
| JLG00201 | 94-138 | 100 | 1.13 | 1.7 | 68*19.5*4.5 | 1 |

| MODEL | TOTAL HEIGHT | WEIGHT CAP(KG) | NW(KG) | GW(KG) | CARTON SIZE (CM) | PCS/CN |
|--------|--------------|----------------|--------|--------|------------------|--------|
| JL921L | 73-96 | 100 | 7 | 8.5 | 80*37*47 | 10 |
| JL921 | 72-95 | 100 | 8.8 | 10.5 | 80*35*45 | 10 |
| JL931L | 73-96 | 100 | 7 | 8.5 | 80*37*47 | 10 |
| JL931 | 72-95 | 100 | 8.8 | 10.5 | 80*35*47 | 10 |
| JL924L | 66-88 | 100 | 8.1 | 9.3 | 79*30*34 | 10 |
| JL924 | 65-88 | 100 | 8.1 | 9.3 | 79*30*34 | 10 |

| MODEL | TOTAL HEIGHT | WEIGHT CAP(KG) | NW(KG) | GW(KG) | CARTON SIZE (CM) | PCS/CN |
|---------|--------------|----------------|--------|--------|------------------|--------|
| JL922 | 64-87 | 100 | 7.9 | 9.3 | 81*31*39 | 10 |
| JL947 | 72-95 | 100 | 8 | 9.3 | 76*34*39 | 10 |
| JL9480L | 70-93 | 100 | 5.8 | 7.1 | 123*20.5*37.5 | 10 |
| JL9481L | 71-94 | 100 | 11 | 12.9 | 123*20.5*68 | 20 |
| JL932 | 73-96 | 100 | 8.5 | 9.8 | 82*28*42 | 10 |
| JL9261 | 79-102 | 100 | 8.2 | 9.3 | 86*30*34 | 10 |
| JL926 | 73-96 | 100 | 7.9 | 9.2 | 79*30*34 | 10 |



JL9402L

JL911L

JL925L(S/M/L)

JL935(S/M/L)

JL9254L



JL9255



JL836L



JL9213L



JL837L

| MODEL | TOTAL HEIGHT | WEIGHT CAP(KG) | NW(KG) | GW(KG) | CARTON SIZE (CM) | PCS/CN |
|-----------|--------------|----------------|--------|--------|------------------|--------|
| JL9402L | 78/49 | 100 | 8.5 | 9.9 | 89*27*44 | 10 |
| JL911L | 84/49 | 100 | 9 | 10 | 85*30*39 | 10 |
| JL925L(S) | 95-115 | 100 | 14.7 | 16.1 | 101*32*31 | 20 |
| JL925L(M) | 115-135 | 100 | 15.9 | 17.6 | 121*32*31 | 20 |
| JL925L(L) | 135-155 | 100 | 17.5 | 19.2 | 141*32*31 | 20 |
| JL935(S) | 98-118 | 100 | 16.3 | 17.4 | 104*34*29 | 20 |
| JL935(M) | 113-133 | 100 | 17.4 | 18.7 | 119*34*29 | 20 |

| MODEL | TOTAL HEIGHT | WEIGHT CAP(KG) | NW(KG) | GW(KG) | CARTON SIZE (CM) | PCS/CN |
|----------|--------------|----------------|--------|--------|------------------|--------|
| JL935(L) | 128-148 | 100 | 18.9 | 20.3 | 134*34*29 | 20 |
| JL9254L | 99-130 | 100 | 18.3 | 20 | 119*21*42 | 20 |
| JL9255 | 132-167.5 | 180 | 1.2 | 1.6 | 29*6.5*71.5 | 1 |
| JL836L | 81 | - | 0.33 | 10.9 | 84*35*25 | 30 |
| JL9213L | 86-104 | 100 | 17 | 19.6 | 93*48*89 | 10 |
| JL837L | 55 | - | 1.44 | 16.1 | 91*29*52 | 10 |



JL1302



JL1303



JL1304



JL1305



JL1306



JL1307



JL1308



JL1309



JL250

MULTI-FUNCTION ELECTRIC ICU BED

- 1) 1 PAIR HEAD AND FOOT BOARDS
- 2) 4 PCS EUROPEAN STYLE LONG & LONG COMBINATION GUARDRAIL
- 3) 2 PCS LIFTING COLUMNS ACTUATORS AND 3 PCS ACTUATORS
- 4) 1 PC LCD NURSE GENERAL CONTROLLER
- 5) 2 PCS BUILD-IN CONTROLLER EMBEDDED BED SIDE BOARD
- 6) 4 PCS ANGLE DISPLAY DEVICES
- 7) 4 PCS 6" CENTRAL LOCKING CASTORS
- 8) 4 PCS BRAKING PEDALS ON FOUR CORNERS
- 9) 4 PCS BUMPER WHEELS
- 10) 4 PCS IV POLE HOLES
- 11) 4 PCS DRAINAGE BAG HOOKS

OPTION:

- 1) SCALE FUNCTION
 - 2) STEEL BED SURFACE
 - 3) LIFTING POLE
 - 4) FOOT SWITCH
- SIZE: 2260×1060×520-780MM



JL258

MULTI-FUNCTION ELECTRIC WEIGHTING CARE BED

- 1) ADVANCED MEDICAL ELECTRICAL MOTORS SYSTEM, (4 PCS MOTORS, 1 PC CONTROL BOX, 1 PC HANDSET)
- 2) COLD STEEL PLATE WHOLLY MOLDED SURFACE, CONNECTED WITH ABS SOFT JOIN.
- 3) P. P HEAD AND FOOT BOARD;
- 4) LUXURY FOUR-FOLD P.P GUARDRAILS, EASY TO LIFT UP AND DOWN BY GAS SPRING, WITH PUSH BUT TONS ON GUARDRAILS;
- 5) PEDAL CENTRAL-CONTROLLED CASTR BRAKESYSTEM
- 6) CPR FUNCTION
- 7) ACP BUTTON FOOTBOARD & GUARDRAIL CONVENIENCE FOR NURSING OPERATION;
- 8) LCD SCREEN, AND WEIGHTING FUCNTION FREELY.

ACCESSORIES:

- 1) I.V. POLE;
- PARAMETER: .
- 1) ANGLE OF BACK SECTION: 0~80° (±5°)
 - 2) ANGLE OF LEG SECTION: 0~40° (±5°)
 - 3) ADJUSTABLE HEIGHT: 500-750MM
 - 4) ANGLE OF TRENDELENBURG SECTION: 0~12° (+2°)
 - 5) SIZE: L 2150×W1100×H500-750MM



JL260

FIVE FUNCTIO ELECTRIC BED

- 1) ADVANCED MEDICAL ELECTRICAL MOTOR SYSTEM, (4 PCS MOTORS, 1 PCS CONTROL BOX, 1 PCS HANDSET);
- 2) COLD STEEL PLATE WHOLLY MOLDED SURFACE, CONNECTED WITH ABS SOFT JOIN.
- 3) P.P HEAD AND FOOT BOARD;
- 4) LUXURY FOUR-FOLD P.P GUARDRAILS, EASY TO LIFT UP AND DOWN BY GAS SPRING;
- 5) PEDAL CENTRAL-CONTROLLED CASTER BRAKE SYSTEM;
- 6) ELECTRIC CPR FUNCTION
- 7) LUXURY HANDLE PANEL, WITH LCO SHOWING BED FUNCTIONS

ACCESSORIES:

- 1) I.V. POLE;
- PARAMETER:
- 1) ANGLE OF BACK SECTION: 0 -80°(±5)
 - 2) ANGLE OF LEG SECTION: 0~40°(±5°)
 - 3) ADJUSTABLE HEIGHT: 500-750 MM
 - 4) ANGLE OF TRENDELENBURG SECTION: 0~12°(±2°)
 - 5) SIZE: L2260×W1060×H430-720MM



JL257

FIVE FUNCTIO ELECTRIC BED

- 1) ADVANCED MEDICAL ELECTRICAL MOTOR SYSTEM, (4 PCS MOTORS, 1 PC CONTROL BOX, 1 PC HANDSET);
- 2) COLD STEEL PLATE WHOLLY MOLDED SURFACE, CONNECTED WITH ABS SOFT JOIN.
- 3) P.P HEAD AND FOOT BOARD;
- 4) LUXURY FOUR-FOLD P.P GUARDRAILS, EASY TO LIFT UP AND DOWN BY GAS SPRING;
- 5) PEDAL CENTRAL-CONTROLLED CASTOR BRAKE SYSTEM;

ACCESSORIES:

- 1) I.V. POLE;
- PARAMETER:
- 1) ANGLE OF BACK SECTION: 0 -80°(±5)
 - 2) ANGLE OF LEG SECTION: 0~40°(±5°)
 - 3) ADJUSTABLE HEIGHT: 500-750 MM
 - 4) ANGLE OF TRENDELENBURG SECTION: 0~12°(±2°)
 - 5) SIZE: L2120×W1100×H500-750MM



JL255

- THREE FUNCTION MANUAL BED
- 1)THREE MANUAL CRANK SYSTEM;
 - 2)COLD STEEL PLATE WHOLLY MOLDED SURFACE.
 - 3)P.P HEAD AND FOOT BOARD;
 - 4)ALUMINUM ALLOY GUARDRAILS, WHICH CAN BE FOLDABLE UP AND DOWN EASILY;
 - 5)5" WHITE NOISELESS CASTOR
- ACCESSORIES:
- 1)I.V.POLE;
- PARAMETER:
- 1)ANGLE OF BACK SECTION: 0~80°(±5°)
 - 2)ANGLE OF LEG SECTION: 0~ 40°(±5°)
 - 3)ADJUSTABLE HEIGHT: 500-750MM
 - 4)SIZE: L2150×W980×H450-740MM



JL8100

- TWO FUNCTION MANUAL BED
- 1)TWO MANUAL CRANK SYSTEM;
 - 2)COLD STEEL PLATE WHOLLY MOLDED SURFACE.
 - 3)WOODEN HEAD AND FOOT BOARD, SIDE WOOD PANEL DECORATION, BEAUTY DESIGN, COMFORTABLE;
 - 4)ALUMINUM ALLOY GUARDRAILS, WHICH CAN BE FOLDABLE UP AND DOWN EASILY;
- ACCESSORIES:
- 1)I.V HOLES, AND URINE HOOKS.
- OPTIONAL CONFIGURATION: MATTRESS, OVER BED TABLE, ODDMENT SHELF, I.V.POLE
- PARAMETER:
- 1)ANGLE OF BACK SECTION: 0~80°(±5°)
 - 2)ANGLE OF LEG SECTION: 0~40°(±5°)
 - 3)SIZE: L2000×W970×H485MM

JL256

- TWO FUNCTION MANUAL BED
- 1)TWO MANUAL CRANK SYSTEM;
 - 2)COLD STEEL PLATE WHOLLY MOLDED SURFACE.
 - 3)P.P HEAD AND FOOT BOARD;
 - 4)ALUMINUM ALLOY GUARDRAILS, WHICH CAN BE FOLDABLE UP AND DOWN EASILY;
 - 5)5" WHITE NOISELESS CASTER;
- ACCESSORIES:
- 1)I.V.POLE;
- PARAMETER:
- 1)ANGLE OF BACK SECTION: 0~80°(±5°)
 - 2)ANGLE OF LEG SECTION: 0~ 40°(±5°)
 - 3)SIZE: L2120 × W970×H485MM



JL8102

- THREE FUNCTION ELECTRIC BED
- 1)ADVANCED MEDICAL ELECTRICAL MOTOR SYSTEM, (3 PCS MOTORS, 1PC CONTROL BOX, 1 PC HANDSET)
 - 2)COLD STEEL PLATE WHOLLY MOLDED SURFACE.
 - 3)WOOD HEAD AND FOOT BOARD AND SIDE DECOR;
 - 4)ALUMINUM ALLOY GUARDRAILS,WHICH CAN BE FOLDABLE UP AND DOWN EASILY;
 - 5)5"WHITE NOISELESS CASTOR;
- ACCESSORIES:
- 1)I.V.POLE;
- PARAMETER:
- 1)ANGLE OF BACK SECTION: 0~80°(±5°)
 - 2)ANGLE OF LEG SECTION: 0~ 40°(±5°)
 - 3)ADJUSTABLE HEIGHT: 500-750MIM
 - 4)SIZE: L2120×W970×H500-750MM



JL256C

- TWO FUNCTION MANUAL BED
- 1)TWO MANUAL CRANK SYSTEM;
 - 2)COLD STEEL PLATE WHOLLY MOLDED SURFACE.
 - 3)P.P HEAD AND FOOT BOARD;
 - 4)ALUMINUM ALLOY GUARDRAILS, WHICH CAN BE FOLDABLE UP AND DOWN EASILY;
 - 5)5" WHITE NOISELESS CASTOR;
- ACCESSORIES:
- 1)I.V.POLE;
- PARAMETER:
- 1)ANGLE OF BACK SECTION: 0~80°(±5°)
 - 2)ANGLE OF LEG SECTION: 0~40°(±5°)
 - 3)SIZE: L2120×W970×H485MM



JL8103

- TWO FUNCTION ELECTRIC BED
- 1)ADVANCED MEDICAL MOTORS SYSTEM, (2 PCS MOTORS, 1 PC CONTROL BOX, 1 PC HANDSET)
 - 2)TUBING TYPE BED BOARD;
 - 3)WOODEN HEAD AND FOOT BOARD, BEAUTY DESIGN, COMFORTABLE, HOME FEELING;
 - 4)ALUMINUM ALLOY GUARDRAILS, WHICH CAN BE FOLDABLE UP AND DOWN EASILY;
- PARAMETER:
- 1)ANGLE OF BACK SECTION: 0~80°(±5°)
 - 2)ANGLE OF LEG SECTION: 0~ 40°(±5°)
 - 3)SIZE: L2000×W970×H485MM





JL633

THREE FUNCTION MANUAL BED
 1)THREE MANUAL CRANK SYSTEM;
 2)COLD STEEL PLATE WHOLLY MOLDED SURFACE.
 3)P.P HEAD AND FOOT BOARD;
 4)ALUMINUM ALLOY GUADRAILS, WHICH CAN BE FOLDABLE UP AND DOWN EASILY;
 5)5" WHITE NOISELESS CASTER
 ACCESSORIES:
 1)I.V.POLE;
 PARAMETER:
 1)ANGLE OF BACK SECTION: 0~80°(±5°)
 2)ANGLE OF LEG SECTION: 0~ 40°(±5°)
 3)ADJUSTABLE HEIGHT: 500-750MM
 4)SIZE: L2120×W970×H500-750MM

JL635

THREE FUNCTION ELECTRIC BED
 1)ADVANCED MEDICAL MOTORS SYSTEM, (3 PCS MOTORS, 1 PCS CONTROL BOX, 1 PCS HANDSET)
 2)COLD STEEL PLATE WHOLLY MOLDED SURFACE
 3)P.P HEAD AND FOOT BOARD, EASY TO WASH
 4)ALUMINUM ALLOY GUADRAILS, WHICH CAN BE FOLDABLE UPAND DOWN EASILY;
 5)4" WHITE NOISELESS CASTOR;
 ACCESSORIES:
 1)I. V. POLE;
 PARAMETER:
 1)ANGLE OF BACK SECTION: 0 ~80°(±5°)
 2)ANGLE OF LEG SECTION: 0~40°(±5°)
 3)ADJUSTABLE HEIGHT: 210-580MM
 4)SIZE: L2120×W970×H210-580MM



JL636

THREE FUNCTION ELECTRIC BED
 1)ADVANCED MEDICAL ELECTRICAL MOTOR SYSTEM, (3 PCS MOTORS, 1 PCS CONTROL BOX, 1 PCS HANDEST)
 2)COLD STEEL PLATE WHOLLY MOLDED SURFACE.
 3)P.P HEAD AND FOOT BOARD;
 4)ALUMINUM ALLOY GUADRAILS, WHICH CAN BE FOLDABLE UP AND DOWN EASILY;
 5)5"WHITE NOISELESS CASTOR;
 ACCESSORIES:
 1)I.V.POLE;
 PARAMETER:
 1)ANGLE OF BACK SECTION: 0 ~80°(±5°)
 2)ANGLE OF LEG SECTION: 0~ 40°(±5°)
 3)ADJUSTABLE HEIGHT: 500-750MM
 4)SIZE: L2120×W970×H500-750MM



JL2561

TWO FUNCTION MEDICAL BED WITH ABS HEAD & FOOT BOARD,ALUMINUM ALLOY SIDE RAIL, MUTE CASTORS AND EXCRETION FUNCTION

JL310S

SINGLE FUNCTION MANUAL BED
 DETACHABLE ABS HEAD& FOOT BOARD
 BAR POWDER COTAED STEEL BED PLATFORM



JL320

THREE FUNCTION ELECTRIC BED
 FUNCTION:
 BACK SECTION UP&DOWN
 KNEE SECTION UP&DOWN
 THE WHOLE BED UP&DOWN
 OPTION:
 LUXURY CASTERS
 1PC SHOE SHELF
 UPS
 ABS CENTRAL CONTROL PEDAL
 STANDARD DEVICE:
 1PAIR HEAD AND FOOT BOARDS
 1PAIR EUROPEAN STYLE FULL COVERING SIDE RAILS
 3PCS MOTORS
 STAINLESS STEEL BRAKE
 4PCS 5" CENTEAL LOCKING CASTORS
 4PCS IV DRIP HOLES
 4PCS DRAINAGE BAG HOOKS





JLS102

SIZE: 880×480×900MM
 OPTION:
 1PC MOSQUITO NET FRAME
 1PC INFUSION STAND
 1 SHEET OF MATTRESS



JLS103

SIZE: 880×480×900MM
 OPTION:
 1PC MOSQUITO NET FRAME
 1PC INFUSION STAND
 1 SHEETS OF MATTRESS



JLS104

SIZE: 800×480×900MM
 FUNCTION:
 TRENDELBURG AND REVERSE TRENDELBURG
 STANDARD DEVICE:
 4 PCS 4" DELUXE CASTORS WITH INDIVIDUAL BRAKE
 1PC BABY BASIN



JLS105

SIZE: 800×480×900MM
 OPTION:
 1PC MOSQUITO NET FRAME
 1PC INFUSION STAND
 LITTLE RACK 1 INDIVIDUAL
 1 SHEET OF MATTRESS



JLC030-140

EXAMINATION BED
 SIZE L:1850×W:600×H:700MM



JLC030-135

EXAMINATION BED /MESSAGES BED
 SIZE L:1850×W:600×H:700MM



JLC030-130

EXAMINATION BED /MESSAGES BED
 SIZE L:1850×W:600×H:700MM

JLC030-125

EXAMINATION BED /MESSAGES BED
 SIZE L:1850×W:600×H:700MM





JLC071-030

STAINLESS STEEL THERAPY-
(CART WITH 2 DRAWERS)



JLC074

STAINLESS STEEL THERAPY
(CART WITH 1 DRAWER)



JLC072

STAINLESS STEEL THERAPY



JL563

OVER BED TABLE
SIZE L:770*W:380*H:720-1120MM



JL564

OVER BED TABLE
SIZE L:545*W:405*H:560-850MM



JL565

OVER BED TABLE
SIZE L:545*W:405*H:560-850MM



JLZ101



JLZ102



JLZ103



JL566

OVER BED TABLE
SIZE L:605*W:405*H:715-1100MM



JL5662

OVER BED TABLE
SIZE L:205*565 W:385*H:715-1100MM



JL5663

OVER BED TABLE
SIZE L:770*W:400*H:780-1080MM



JLZ104



JLZ105



JLZ106



JL960

PEDAL EXERCISER



JL9601

PEDAL EXERCISER



JL9602

PEDAL EXERCISER



JL667B



JL680B



JL661A



JL668B



JL669B



JL670B



JL669A



JLS401



JLS402



JLS403



JLB075-32 TWO PART
JLB075-33 THREE PART
JLB075-34 FOUR PART
STAINLESS STEEL FOLDING CURTAIN



JL9102
ELECTRIC PATIENT LIFT



JL9100
MANUAL PATIENT LIFT



JL9140
OXYGEN CONCENTRATOR 5LPM



JL9150
OXYGEN CONCENTRATOR 10LPM



JLS301

ALTERNATING PRESSURE MATTRESS
WITH PUMP SIZE:2000*860*95MM



JLS302

ALTERNATING BUBBLE MATTRESS
WITH PUMP SYSTEM
SIZE:2000*900*70MM



JLS303

ALTERNATING PRESSURE MATTRESS
WITH PUMP SIZE:2000*860*95MM



JLS304

MATTRESS
SIZE:1950*860*100MM



JLS305

MATTRESS
SIZE:1950*860*80MM



JLS306

MATTRESS
SIZE:1950*860*70MM



JL586



JL587



JL588

460*380*40MM



JL589

450*450*50MM



JL567



JL583

440*440*70MM



JL584

440*440*70MM



JL585

430*430*60MM



JL661B

JL662B

JL663B

JL664B

JL665B



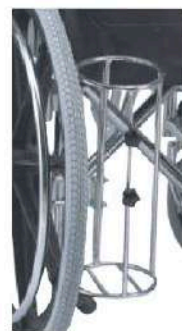
JL531



JL532



JL516



JL517



JL518



JL512



JL561



JL505



JL50



JL513



JL514



JL515



JLZF26



JLZF25



JLZF24



JL10-A

HEAD&FOOT BOARD
DIMENSION:950*535MM/950*435MM
HOOK DISTANCE:902MM



JL10-B

HEAD&FOOT BOARD
DIMENSION:1050*525MM
HOOK DISTANCE:1002MM



JL10-C

HEAD&FOOT BOARD
DIMENSION:950*535MM/950*435MM
HOOK DISTANCE:902MM



JL10-D

HEAD&FOOT BOARD
DIMENSION:930*525MM
HOOK DISTANCE:605MM



JL10-E

FIVE FUNCTIONS ELECTRIC HEAD&FOOT BOARD
DIMENSION:920*535MM/920*450MM
HOOK DISTANCE:575MM



JL10-F

HEAD&FOOT BOARD
DIMENSION:920*535MM/920*450MM
HOOK DISTANCE:902MM



JL10-G

HEAD&FOOT BOARD
DIMENSION:960*550MM
HOOK DISTANCE:580MM



JL10-H

HEAD&FOOT BOARD
DIMENSION:970*520MM
HOOK DISTANCE:605MM



JL11-A

SIDE RAILS
DIMENSION: 1100×300MM



JL11-B

SIDE RAILS
DIMENSION: 570×300MM



JL11-C

SIDE RAILS
DIMENSION: 1100×300MM



JL11-D

SIDE RAILS
DIMENSION: 570×300MM



JL11-E

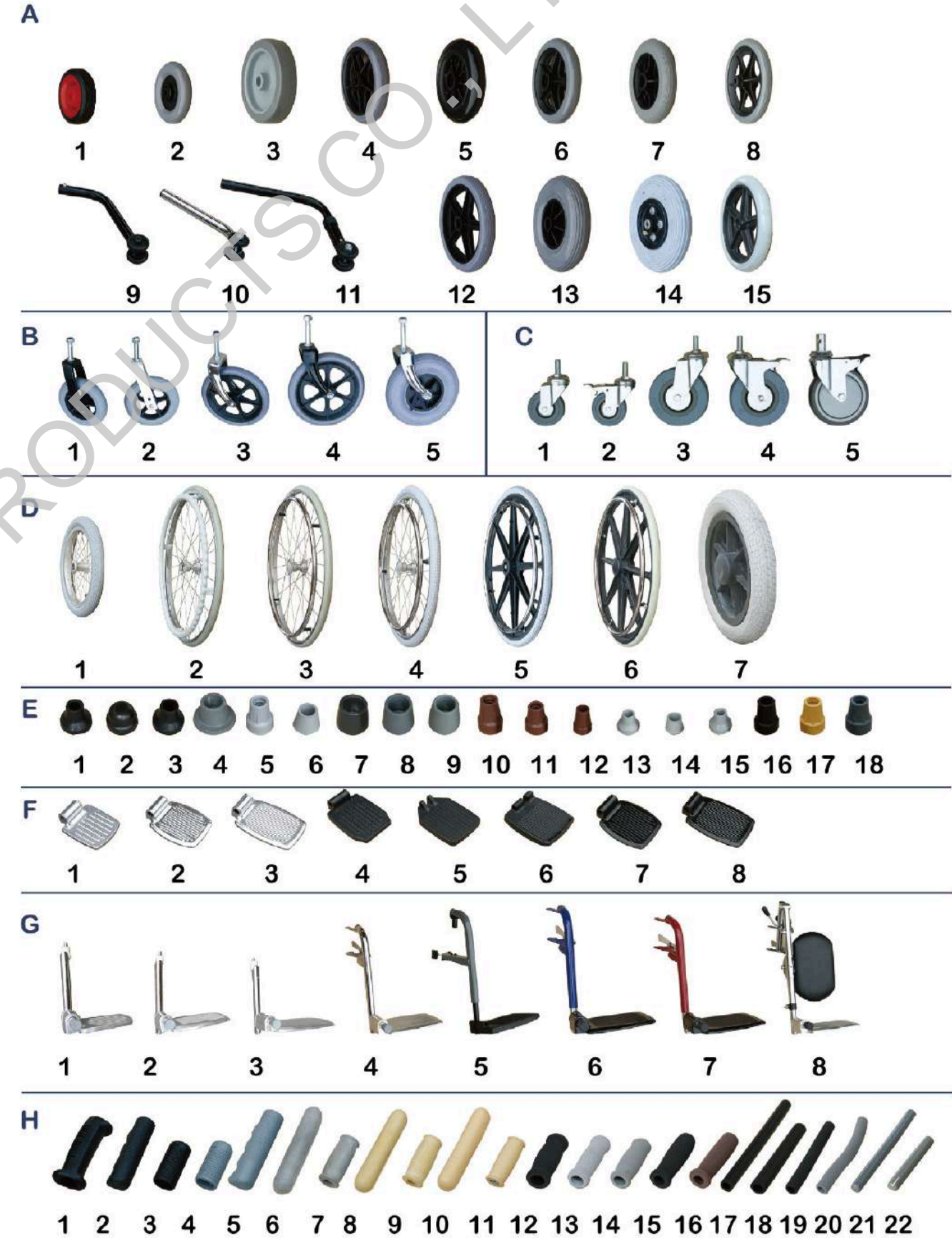
5ALUMINUM ALLOY SIDE RAILS
DIMENSION: 1200×350MM



JL11-F

ALUMINUM ALLOY SIDE RAILS
DIMENSION: 1200×350MM







- A.CASTOR**
 (1)2.5"CASTOR
 (2)3" PVC CASTOR
 (3)4" CASTOR
 (4)5" CASTOR
 (5)5" CASTOR
 (6)6" CASTOR
 (7)6" CASTOR
 (8)8" CASTOR
 (9)ALU.ANTIWHEEL
 (10)ANTIWHEEL
 (11)ANTIWHEEL
 (12)8" CASTOR
 (13)200x50 CASTOR
 (14)8" PNEUMATIC WHEEL
 (15)8" PU CASTOR
- B.CASTOR WITH FORK**
 (1)6" CASTOR
 (2)6" CASTOR
 (3)8" CASTOR
 (4)8" CASTOR
 (5)200x50 CASTOR
- C.CASTOR WITH FORK**
 (1)3" CASTOR
 (2)3" CASTOR WITH BRAKE
 (3)5" CASTOR
 (4)5" CASTOR WITH BRAKE
 (5)5" CASTOR WITH BRAKE
- D.WHEEL**
 (1)16" PNEUMATIC WHEEL
 (2)22" SOLID WHEEL
 (3)24" SOLID WHEEL
 (4)24" PNEUMATIC WHEEL
 (5)24" MAG PNEUMATIC WHEEL
 (6)24" MAG SOLID WHEEL
 (7)16" PNEUMATIC MAG WHEEL
- E.RUBBERTIP**
 (1)FOR ϕ 13 TUBE
 (2)WHEELCHAIR
 CASTOR DUST CAP
 (3)FOR ϕ 16 TUBE
 (4)FOR ϕ 28 TUBE
 (5)FOR ϕ 19 TUBE
 (6)FOR ϕ 22 TUBE
 (7)FOR ϕ 28 TUBE
 (8)FOR ϕ 28 TUBE
 (9)FOR ϕ 25 TUBE
 (10)FOR ϕ 22 TUBE
 (11)FOR ϕ 19 TUBE
 (12)FOR ϕ 16 TUBE
 (13)FOR ϕ 16 TUBE
 (14)FOR ϕ 19 TUBE
 (15)FOR ϕ 13 TUBE
 (16)FOR ϕ 22 TUBE
 (17)FOR ϕ 22 TUBE
 (18)FOR ϕ 22 TUBE
- F.FOOTPLATE**
 (1)5.5" FOOTPLATE
 (2)6" FOOTPLATE
 (3)7" FOOTPLATE
 (4)7" FOOTPLATE
 (5)7" FOOTPLATE
 (6)7" FOOTPLATE
 (7)6" FOOTPLATE
 (8)7" FOOTPLATE
- G.FOOTPLATE**
 (1)5.5" FOOTPLATE
 (2)6" FOOTPLATE
 (3)7" FOOTPLATE
 (4)7" FOOTPLATE
 (5)8" FOOTPLATE
 (6)7" FOOTPLATE
 (7)7" FOOTPLATE
 (8)7" ELEVATING FOOTPLATE
- H.GRIP**
 (1)HANDGRIP
 (2)HANDGRIP
 (3)FOOTFRIP
 (4)FOOTFRIP
 (5)HANDGRIP
 (6)FAM SUPPORT FOR CRUTCH
 (7)FAM HANDLE FOR CRUTCH
 (8)FAM SUPPORT FOR CRUTCH
 (9)FAM HANDLE FOR CRUTCH
 (10)TPR SUPPORT FOR CRUTCH
 (11)TPR HANDLE FOR CRUTCH
 (12)FOAM HANDLE FOR WALKER
 (13)FOAM HANDLE FOR WALKER
 (14)FOAM HANDLE FOR WALKER
 (15)FOAM HANDLE FOR STICK
 (16)FOAM HANDLE FOR STICK
 (17)FOAM
 (18)FOAM
 (19)FOAM
 (20)FOAM
 (21)PVC
 (22)PVC
- I.PAD**
 (1)FABRIC (15)FABRIC
 (2)FABRIC (16)PU
 (3)FABRIC (17)PLASTIC
 (4)FABRIC (18)PLASTIC
 (5)FABRIC (19)PLASTIC
 (6)LEATHER (20)PLASTIC
 (7)LEATHER (21)PLASTIC
 (8)LEATHER (22)PLASTIC
 (9)LEATHER (23)PLASTIC
 (10)LEATHER (24)PLASTIC
 (11)LEATHER
 (12)LEATHER
 (13)LEATHER
 (14)FABRIC
- J.ARMREST**
 (1)DETACHABLE ARMREST
 (2)DETACHABLE DESK ARMREST
 (3)DETACHABLE INCLINED ARMREST
 (4)FLIP-UP INCLINED ARMREST
 (5)EXTRAL ENGTH DETACHABLE ARMREST
 (6)FLIP-UP DESK ARMREST
 (7)FLIP-UP HEIGHT-ADJUSTED INCLINED ARMREST
- K.METAL SERIES**
 (1)BEARING
 (2)BEARING
 (3)BEARING
 (4)BEARING
 (5)STEEL LOCK
 (6)STEEL LOCK
 (7)ALUMINUM LOCK
 (8)STEEL LOCK
 (9)ALUMINUM LOCK
 (10)STEEL LOCK
 (11)ALUMINUM LOCK
- L.OTHER PARTS**
 (1)COMMODE BUCKET
 (2)PLASTIC COMMODE SEAT WTH COVER
 (3)SQUARE COMMODE SEAT
 (4)SQUARE COMMODE SEAT
 (5)U SHAPE SEAT
 (6)SEAT BELT
 (7)PUMP
- M.HANDLE**
 (1)BLACK HANDLE FOR ϕ 22 TUBE,
 (2)RED HANDLE FOR ϕ 22 TUBE,
 (3)GRAY HANDLE FOR ϕ 22 TUBE,
 (4)FRUIT GREEN HANDLE FOR ϕ 22 TUBE,
 (5)PURPLE HANDLE FOR ϕ 22 TUBE,
 (6)GREEN HANDLE FOR ϕ 22 TUBE,
- N.RUBBER TIP**
 (1)FOR ϕ 22 TUBE,
 (1)FOR ϕ 16 TUBE,
 (1)FOR ϕ 16 TUBE,
 (1)FOR ϕ 13 TUBE,
 (1)FOR ϕ 19 TUBE,
 (6)CANE HOLDER ATTACHED
- O.HANDE**
 (1)BEARING
 (2)BEARING
 (3)BEARING
 (4)BEARING
 (5)STEEL LOCK
 (6)STEEL LOCK
 (7)ALUMINUM LOCK
 (8)STEEL LOCK
 (9)ALUMINUM LOCK
 (10)STEEL LOCK
 (11)ALUMINUM LOCK
- P.RUBBER TIP**
 (1)4"WHEEL ϕ 28 TUBE,
 (2)5"WHEEL ϕ 28 TUBE,
 (3)FOR ϕ 28 TUBE,
 (4)3"WHEEL ϕ 28 TUBE,
 (5)5"WHEEL ϕ 28 TUBE,
 (6)5"WHEEL ϕ 28 TUBE,
 (7)3"WHEEL ϕ 28 TUBE,
- Q.TUBE WITH WHEEL**
 (1)4"WHEEL ϕ 28 TUBE,
 (2)5"WHEEL ϕ 28 TUBE,
 (3)FOR ϕ 28 TUBE,
 (4)3"WHEEL ϕ 28 TUBE,
 (5)5"WHEEL ϕ 28 TUBE,
 (6)5"WHEEL ϕ 28 TUBE,
 (7)3"WHEEL ϕ 28 TUBE,