



HS3660 Series

Handheld Industrial DPM Code Reader

HS3660 is an industrial wired handheld barcode reader with superior performance for various DPM (Direct Part Mark) barcodes reading occasions. HS3660 adopts multi-color intelligent switching Surface Light Source, professional image processing and DPM decoding algorithm and industrial grade protection design. It can be used for diverse DPM code reading applications such as reflective, stained, low contrast, small-sized and punching code reading, in the field of automotive components, metal manufacturing industries.

Product Features

■ Powerful DPM decoding capability

Applicable for challenging DPM barcodes such as reflections, stained, low contrast and tiny-sized barcodes;
Can be widely used in various DPM code reading applications such as automotive metal parts, chip packaging and home appliance assembly, etc.

■ Diverse feedback prompts

Equipped with LED light prompts, buzzer prompts and vibration prompts, ensuring timely and accurate code reading feedback in noisy application environments

■ Multi-color intelligent switching light source

Provide white Point Light Source, red and blue Surface Light Source to handle barcodes on various materials and surfaces (such as reflective, multi-color, metals, curved, etc.);
Automatically switch and match the best light source scheme

■ Industrial grade design that meets harsh environment requirements

The body adopts IP67 Protection Rating
Withstand multiple impacts of 1.2 meters drop to cement ground
Strong and durable, minimizing failure rates, adapted to harsh industrial scenarios

Industry Applications



Home appliances manufacturing



Electronics manufacturing



Automobile manufacturing



Aerospace manufacturing



Photovoltaic industry

Technical Parameters

Sensor Type	CMOS sensor
Image Resolution	1280 x 1024
Acquisition Speed	Up to 60 frames per second
Viewing Angle	44° (Horizontal), 34° (Vertical)
Roll/ Pitch/ Yaw	360°(Roll), 65°(Pitch), 55°(Yaw)
Reading Direction	Angle of elevation $\pm 60^\circ$ Oblique angle $\pm 55^\circ$
Illumination Source	White point light source/ Red surface light source/ Blue surface light source
Aiming Mode	Laser aiming
Communication Interface	RS232, USB (Simulated Serial port, Simulated Keyboard)
Operating Voltage	5VDC $\pm 5\%$
Standby Current	150mA
Operating Current	310mA
Power Consumption	1.55W

Shell Material	PC
Weight	237g
Dimensions (LxWxH)	192.0mmx130.0mmx77.0mm
Operating Temperature	0°C ~ +45°C
Storage Temperature	-10°C ~ +50°C
Relative Humidity	5% ~ 85% Non-condensing
IP Rating	IP67
Certification	CE,FCC,RoHS
Ambient Light Immunity	Sunshine: 10000 Lux, Incandescent lamp: 6000 Lux, Fluorescent lamp: 2000 Lux
Drop Resistance	Withstanding multiple impacts of falling from a height of 1.2 meters onto the cement floor (allowable deviation of 5°)
Readable Code Symbolologies	1D, 2D and stacked codes that comply with national and international standards
Maximum Reading Accuracy	1D code: 3mil, 2D code: 4mil

Reading Distance

Unit: (mm)

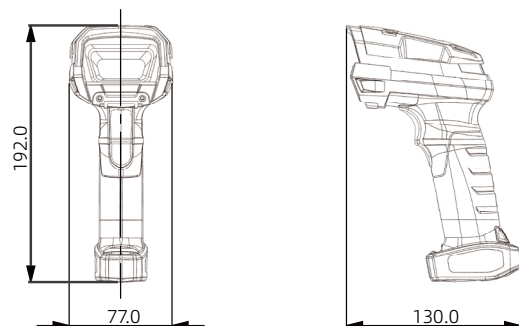
Reading Distance	Nearest	Farthest
3.34mil Code128	25	123
5mil Code128	22	179
10mil Code128	6	287
15mil Code128	6	384
5mil DataMatrix	35	103
6.67mil DataMatrix	25	125
10mil DataMatrix	5	243
15mil DataMatrix	5	254

Standard Models Configuration Table

Model	Descriptions
HS3660-30-U-02A	Handheld, Wired, DPM illumination, USB set, 2-meter USB cable
HS3660-30-R-02B	Handheld, Wired, DPM illumination, RS232 set, 2-meter Serial port cable, 5V Power supply

Dimensions

Unit: (mm)



Any change of the information in this document may not be with prior notice; even the content of this document has been carefully checked to ensure accuracy, there may still be some errors. The data involved in this document may differ due to environmental factors, Bilin Intelligence does not bear any consequences arising from this.



NANJING BILIN INTELLIGENT IDENTIFICATION TECHNOLOGY CO., LTD.

www.infoscan-cn.com

infoscan

ver: 20231030