

# Gauge/Absolute Pressure Transmitter

## AT3051TG/TA Series

### ■ DESCRIPTION

AT3051TG/TA series is a digital pressure transmitter designed for industrial pressure measurement applications.

The AT3051TG(TA) offer configurations for gauge pressure, absolute pressure and vacuum including integrated solutions for industrial applications.

### ■ FEATURES

Updating time of output current in 90 ms

Improved performance, increased accuracy and greater stability

Two years stability of 0.2%

0.1% accuracy

Parameter setting by keypad directly

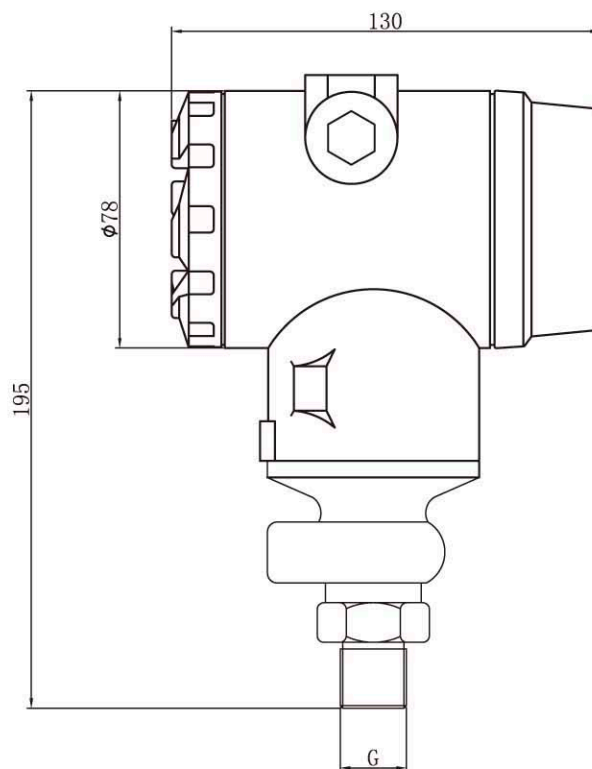
4-20 mA output plus direct digital HART communication

Automatic zero calibration by press-button

Explosion proof and weather proof housing



### ■ DIMENSIONS



## Gauge/Absolute Pressure Transmitter

### ■ MODEL SELECTION

Item	Code	Specification
AT3051TG		Gauge Pressure Transmitter
AT3051TA		Absolute Pressure Transmitter
Measurement Range	3	0~7.5 Kpa
	4	0~37.4 Kpa
	5	0~186.8 Kpa
	6	0~690 Kpa
	7	0~2068 Kpa
	8	0~6890 Kpa
	9	0~20680 Kpa
	0	Customized
Output	S	4-20mA, HART Protocol, Linear Output
Diaphragm Material	2	Stainless Steel 316L
	3	Hastelloy C
	4	Tantalum
Fill Fluid	2	Silicone Oil
	3	Fluorine Oil
Process Connection	D	1/2" NPT F
	A	M20*1.5
	B	1/2" NPT M
	C	G 1/2"
	M	Customized
Cable Entry	1	M20*1.5
	2	1/2" NPT
Mounting Bracket	B00	None
	B58	Mounting Bracket
Optional	d	Intrinsically Safe Type, Flameproof (Exd IIC T6 Gb)
	i	Intrinsically Safe (Exia IIC T6 Ga)
	M3	LCD Display
	K1	Degreasing Treatment