

InGaAs Photodetector Module

Features

- Small Dark Current
- High Responsivity
- High Accuracy
- High Responsivity

Application

- Monitoring and Meter
- Optical Instruments
- Power Monitoring
- Test equipment



Absolute Maximum Ratings (Tc=25°C .unless otherwise specified)

Parameter	Symbol	Min.	Max.	Unit	Test Condition
Forward Current	I _{FP}	-	10	mA	CW
Reverse Bias	V _R	-	20	V	CW
Operating Temperature	T _{OP}	-20	+70	°C	-
Storage Temperature	T _{stg}	-40	+100	°C	-
Soldering Temperature/Time	-	260/10		°C/S	-

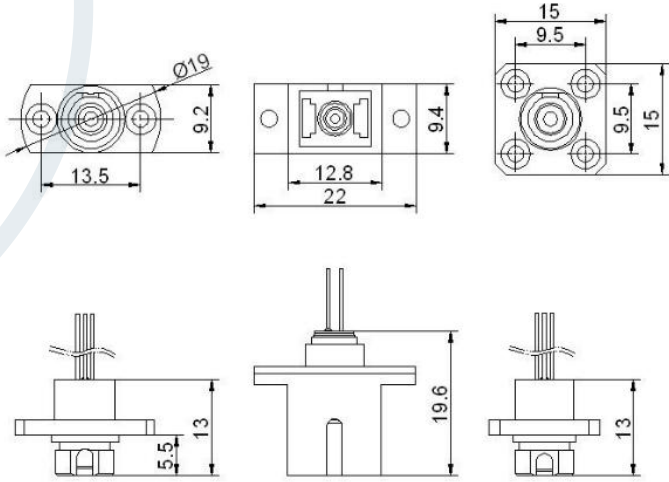


Specifications (electrical & optical characteristics) T= 25 °C

Parameter	Symbol	Min.	Typ.	Max.	Unit	Test Conditions
Wavelength Range	λ	800	-	1700	nm	-
Bandwidth (- 3dBm)	BW	0.8	-	-	GHz @ Φ 300	RL = 50 Ω
Accuracy		-	-	\pm 0.25	dB	@25°C
Responsivity	R	-	0.8	-	A / W	VR=5V, λ =1310nm
		-	0.08	-		
		-	0.008	-		
		-	0.0008	-		
Capacitance	Ct	-	-	6.0	pF@ Φ 300	VR=5V, f = 1 MHz
Input Power Range	P	-70	-	6	dBm	VR=5V, RL = 50 Ω
		-60	-	16		
		-50	-	26		
		-40	-	36		

Dark Current	Id	-	-	1.0	nA@Φ300	VR= -5V
		-	-	5.0	nA@Φ1000	VR= -5V
		-	-	8	nA@Φ2000	VR= -5V
Response Time	Tr	-	-	1	ns @ Φ300	RL = 5V, 10~90%
		-	-	5	ns @ Φ1000	
		-	-	20	ns @ Φ2000	
Saturated Optical Power	Ps	6	-	-	dBm	VR= 0V @Φ300
		10	-	-	dBm	VR= 0V @Φ1000
		10	-	-	dBm	VR= 0V @Φ2000

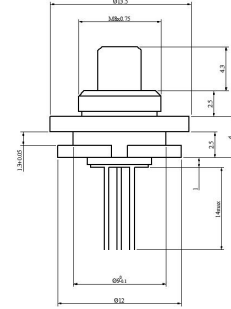
Dimensions (mm):



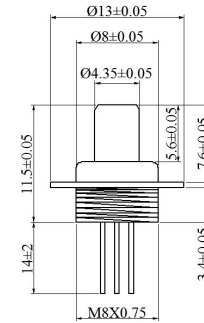
1: FC(2)

2: SC

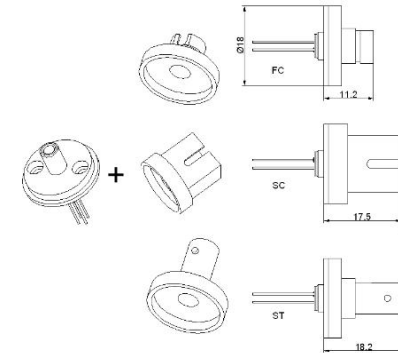
3: FC(4)



4: mini 1



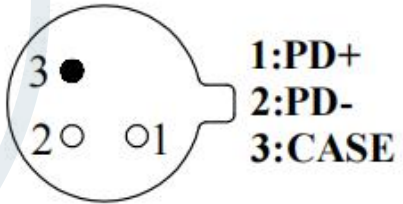
5: mini 2



6:G2 (FC.SC.ST)
Changeable Connector

7:G4

Pin Assignment

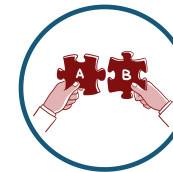


Order Information

- GTA2001 (InGaAs Photo-detector Module 2000um)
- GTA2002 (InGaAs Photo-detector Module 1000um)
- GTA2003 (InGaAs Photo-detector Module 300um)
- GTA2004 (InGaAs Photo-detector Module 5000um)
- GTA2005 (InGaAs Photo-detector Module 10000um)



Please let us know your request details before order.



Customize for you

