



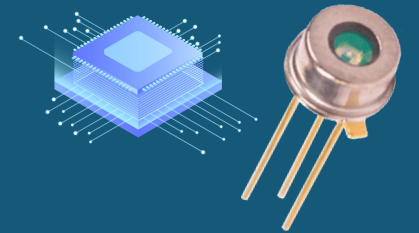
## InGaAs Photodetector 1000 $\mu\text{m}$ (TO-CAN)

### Features

- Wide Dynamic Range
- To-46 Package
- Long Wavelength Operation
- Low Dark Current
- High Responsivity

### Application

- Monitoring and Meter
- Optical Instruments
- Power Monitoring
- Test equipment



### Absolute Maximum Ratings (Tc=25°C .unless otherwise specified)

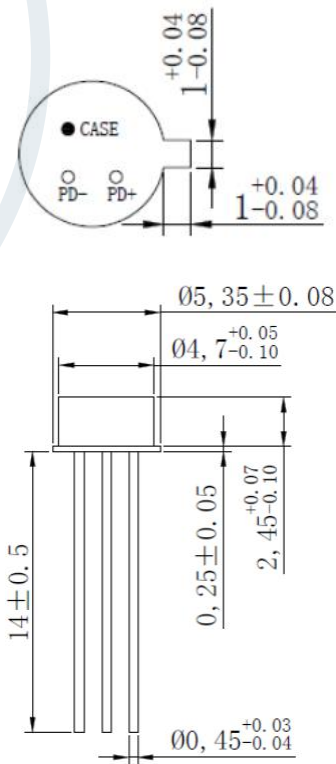
| Parameter                  | Symbol    | Min.   | Max. | Unit                        | Test Condition |
|----------------------------|-----------|--------|------|-----------------------------|----------------|
| Forward Current            | $I_{FP}$  | -      | 10   | mA                          | CW             |
| Reverse Bias               | $V_R$     |        | 30   | V                           | CW             |
| Operating Temperature      | $T_{OP}$  | -20    | +70  | $^{\circ}\text{C}$          | -              |
| Storage Temperature        | $T_{stg}$ | -40    | +100 | $^{\circ}\text{C}$          | -              |
| Soldering Temperature/Time | -         | 260/10 |      | $^{\circ}\text{C}/\text{S}$ | -              |



## Specifications (electrical & optical characteristics ) T= 25 °C

| Parameter               | Symbol    | Min.          | Typ. | Max. | Unit           | Test Conditions                     |
|-------------------------|-----------|---------------|------|------|----------------|-------------------------------------|
| Wavelength Range        | $\lambda$ | 800           | -    | 1700 | nm             | -                                   |
| Active Area             | $\Phi$    | -             | 1000 | -    | $\mu\text{m}$  | -                                   |
| Saturated Optical Power | $P_s$     | 10            | -    | -    | dBm            | $V_R = 0V$                          |
| Dark Current            | $I_d$     | -             | -    | 5    | nA             | $V_R = 5V$                          |
| Responsibility          | Res       | 0.85 @ 1310nm |      |      | A / W          | $V_R = 5V, \lambda = 1310\text{nm}$ |
|                         |           | 0.90 @ 1550nm |      |      |                | $V_R = 5V, \lambda = 1550\text{nm}$ |
| Capacitance             | $C_t$     | -             | -    | 6.0  | pF@ $\Phi 300$ | $V_R = 5V, f = 1\text{MHz}$         |
| Input Power Range       | P         | -70           | -    | 6    | dBm            | $V_R = 5V, R_L = 50\Omega$          |
|                         |           | -60           | -    | 16   |                |                                     |
|                         |           | -50           | -    | 26   |                |                                     |
|                         |           | -40           | -    | 36   |                |                                     |

## Pin Assignment



## Order Information

|         |                        |             |
|---------|------------------------|-------------|
| GTA2007 | (InGaAs Photo-detector | 1000 μ m )  |
| GTA2006 | (InGaAs Photo-detector | 2000 μ m )  |
| GTA2008 | (InGaAs Photo-detector | 300 μ m )   |
| GTA2009 | (InGaAs Photo-detector | 5000 μ m )  |
| GTA2010 | (InGaAs Photo-detector | 10000 μ m ) |



Please let us know your request details before order.



Customize for you

