

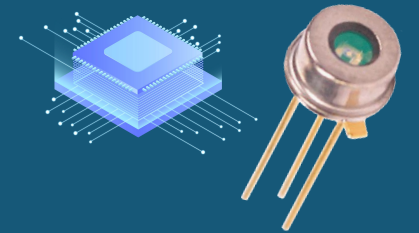
## InGaAs Photodetector 5000 $\mu$ m (TO-CAN)

### Features

- Bright Surface 5000  $\mu$  m
- To-5 Package
- Long Wavelength Operation
- Low Dark Current
- High Responsivity

### Application

- Monitoring and Meter
- Optical Instruments
- Power Monitoring
- Test equipment



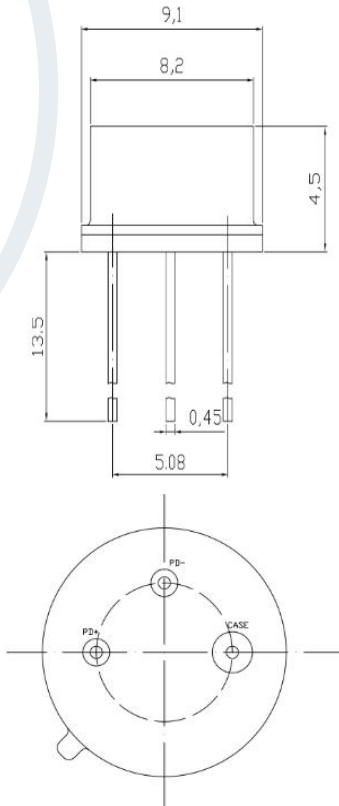
### Absolute Maximum Ratings (Tc=25°C .unless otherwise specified)

Parameter	Symbol	Min.	Max.	Unit	Test Condition
Forward Current	$I_{FP}$	-	10	mA	CW
Reverse Current	$I_R$	-	10	mA	CW
Operating Temperature	$T_{OP}$	-20	+70	°C	-
Storage Temperature	$T_{stg}$	-40	+100	°C	-
Soldering Temperature/Time	-	260/10		°C/S	-

## Specifications (electrical & optical characteristics ) T= 25 °C

Parameter	Symbol	Min.	Typ.	Max.	Unit	Test Conditions
Wavelength Range	$\lambda$	1000	-	1700	nm	-
Active Area	$\Phi$	-	5000	-	$\mu\text{m}$	-
Saturated Optical Power	$P_s$	10	-	-	dBm	$V_R = 0V$
Dark Current	$I_d$	-	8	-	nA	$V_R = 5V$
Responsibility	Res	0.85 @ 1310nm			A / W	$\phi_e = 100 \mu\text{W}, \lambda = 1310\text{nm}$
		0.90 @ 1550nm				$\phi_e = 100 \mu\text{W}, \lambda = 1550\text{nm}$
Capacitance	$C_t$	-	-	280	pF@ $\Phi 5000$	$V_R = 5V, f = 1 \text{ MHz}$
Reverse Breaksown V	$V_{BR}$	35	-	-	v	$I_d = 10 \mu\text{A}, \phi_e = 0$
Input Power Range	P	-70	-	6	dBm	$V_R = 5V, R_L = 50\Omega$
		-60	-	16		
		-50	-	26		
		-40	-	36		

## Pin Assignment

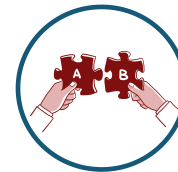


## Order Information

GTA2009	(InGaAs Photo-detector	5000 $\mu$ m )
GTA2006	(InGaAs Photo-detector	2000 $\mu$ m )
GTA2007	(InGaAs Photo-detector	1000 $\mu$ m )
GTA2008	(InGaAs Photo-detector	300 $\mu$ m )
GTA2010	(InGaAs Photo-detector	10000 $\mu$ m )



Please let us know your request details before order.



Customize for you

