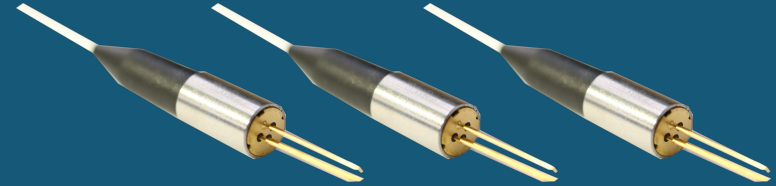




## 1310nm pulse laser

### Features

- Multiple Quantum Well (MQW) laser
- High output power
- Pulse width (PW) =10us, Duty=1%



### Absolute Maximum Ratings (Tc=25°C .unless otherwise specified)

Parameter	Symbol	Value	Unit
Pulsed Forward Current	I <sub>FP</sub>	1.2	A
Reverse Voltage	VR	2.0	V
Operating Case Temperature	T <sub>c</sub>	-20 ~ +60	°C
Storage Temperature	T <sub>stg</sub>	-40 ~ +85	°C
Soldering Temperature/Time	-	260/10	°C/S
Relative Humidity (noncondensing)	RH	85	%

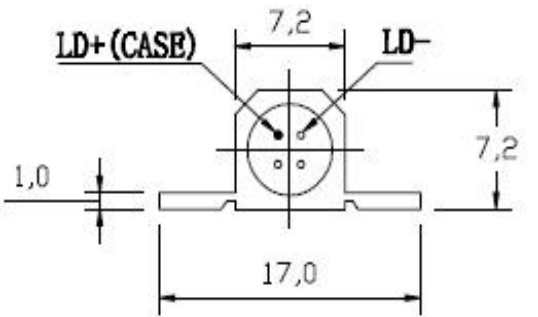
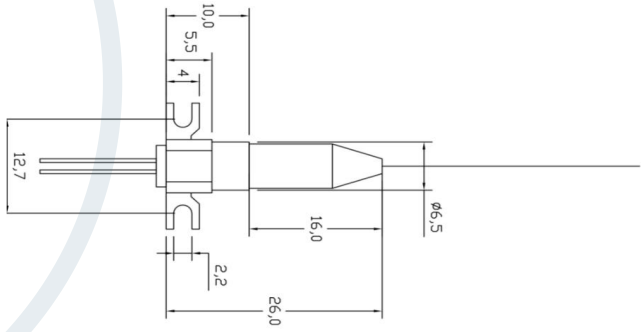


## Optical & electrical characteristics (T<sub>c</sub>=25°C)

Parameter	Symbol	Min	Typ.	Max.	Unit	Test Conditions
Forward Voltage	V <sub>FP</sub>			4.0	V	IFP=1200mA, PW=10us.Duty=1%
Threshold Current	I <sub>th</sub>		45	75	mA	
Optical Output Power From Fiber	P <sub>t</sub>	120	-	-	mW	@1310nm
		120	-	-		@1550nm
		100	-	-		@1625nm
		100	-	-		@1650nm
						IFP=1200mA, PW=10us. Duty=1%
Spectral Width	σ			5.0	nm	RMS(-20dB), IFP=1200mA, PW=10us.Duty=1% T <sub>c</sub> = 0°C to + 60°C
Rise Time/ Fall Time	T <sub>R</sub> /T <sub>F</sub>	-	-	2.0	ns	10-90% . 90-10%
Center wavelength	λ <sub>c</sub>	-	1310	-	nm	RMS (-20 dB), IFP=1200 mA, PW=10us.Duty=1%
		-	1550	-		
		-	1625	-		
		-	1650	-		



### Dimensions(nm)

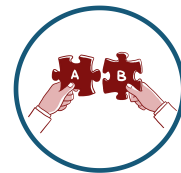


### Order Information

- GTA1005 (1310nm pulse laser)
- GTA1006 (1550nm pulse laser)
- GTA1011 (1625nm pulse laser)
- GTA1012 (1650nm pulse laser)



Please let us know your request details before order.



Customize for you

