

T908

T908磁悬浮电动吊滑轮系列 ELECTRIC MAGNETIC SUSPENSION HANGING ROLLER SERIES



标准配置

ACCESSORIES

型号 Item No:	挂盒 Hanging plate	下导向件 Bottom guide	磁悬浮配件主体(规格按附表) Magnetic Suspension mechanism (Specification as attachment)
T908A	 X2		 X1
T908B	 X2	X1	
T908C	 X2	X1	
T908D	 X2		
T908E	 X2	X1	

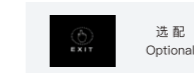
型号(Item No.): T908P01

远距离感应器 (感应范围: 4米内)
Long Range Sensor (Sensing range: within 4m)



型号(Item No.): T908P02

触摸开关 (静电触摸)
Touch Switch (Static touch)



型号(Item No.): T908P03

遥控器 (配两个发射器)
Remote control (With two launchers)



产品规格 Specification	门宽 mm Door width	轨道长度 Rail length	轨道裁切范围 Cutting range of Rail
T908-700	700-800	1540mm	1340-1540mm
T908-800	800-900	1740mm	1540-1740mm
T908-900	900-1000	1940mm	1740-1940mm
T908-1000	1000-1100	2140mm	1940-2140mm
T908-1100	1100-1200	2340mm	2140-2340mm
T908-1200	1200-1300	2540mm	2340-2540mm
T908-1300	1300-1400	2740mm	2540-2740mm
T908-1400	1400-1500	2940mm	2740-2940mm
T908-1500	1500-1600	3140mm	2940-3140mm

功能与特点

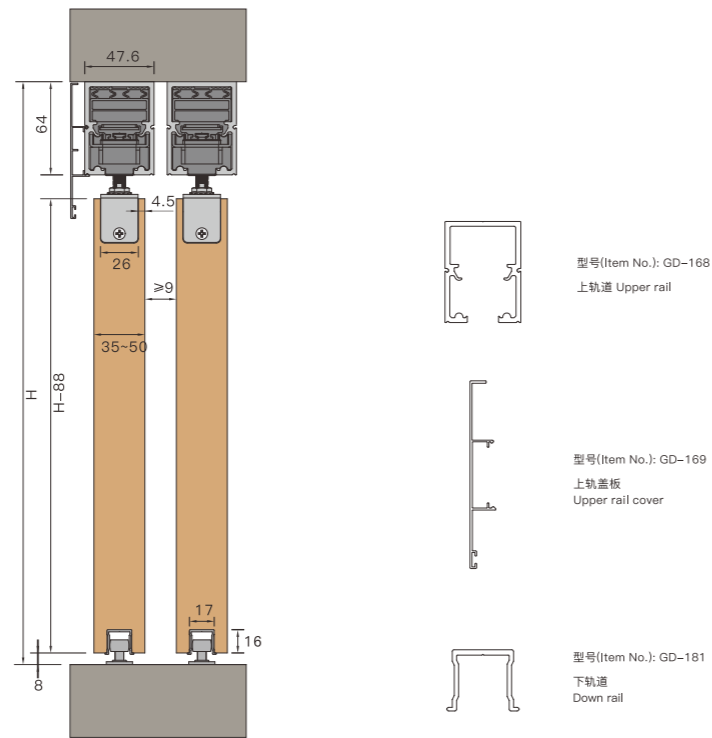
HIGHLIGHTS

单门重量: ≤100kg (100kg以上可特制)
额定电压: 220V
额定功率: 300W
平均来回功率: 40W
关门速度: 0.2~0.5m/s
开门速度: 0.2~0.5m/s
开门到位停留时间: 0~30s
工作环境温度: -40°C~60°C

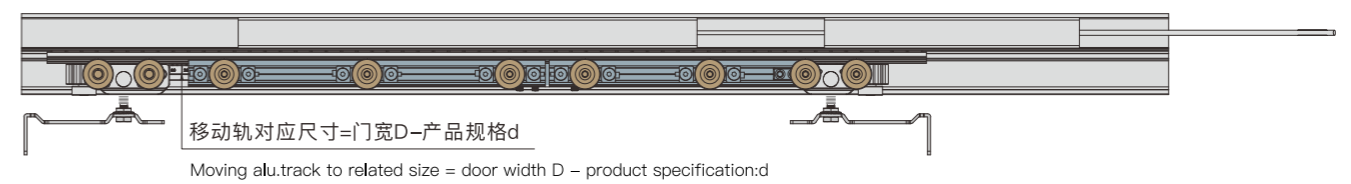
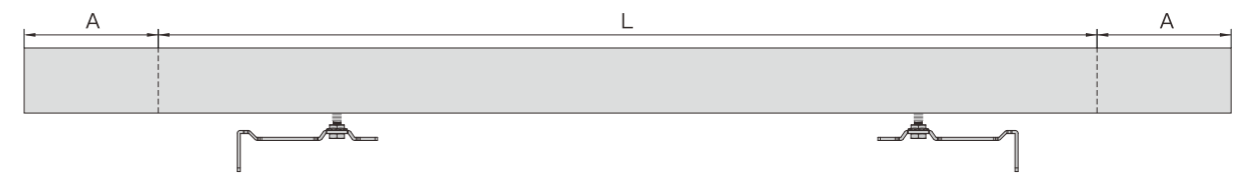
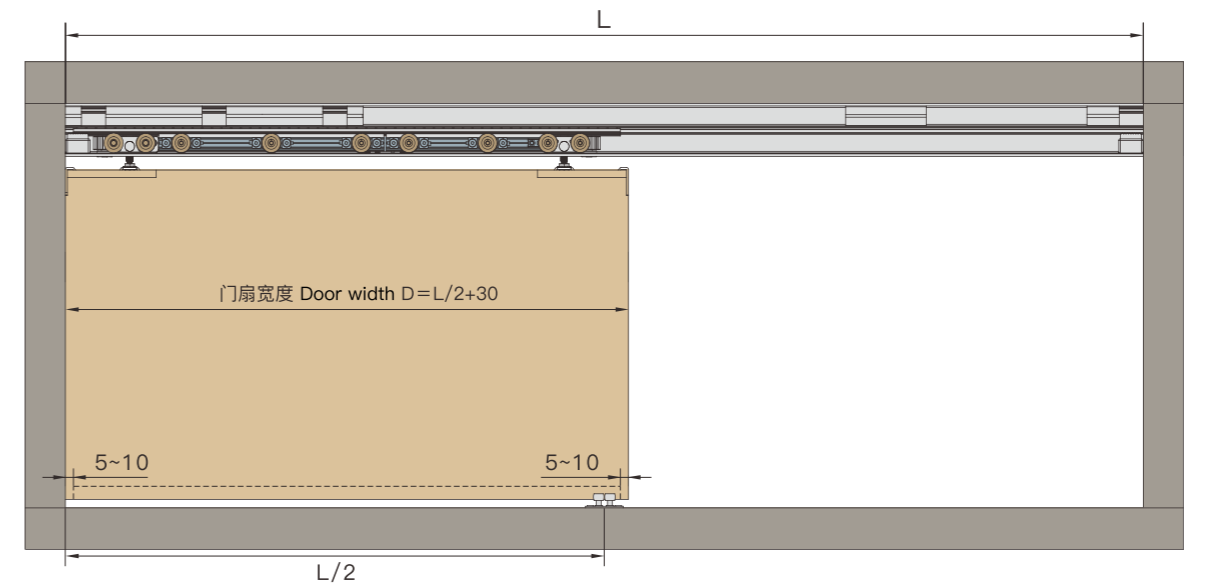
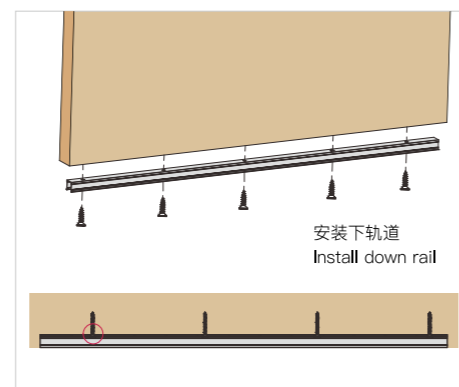
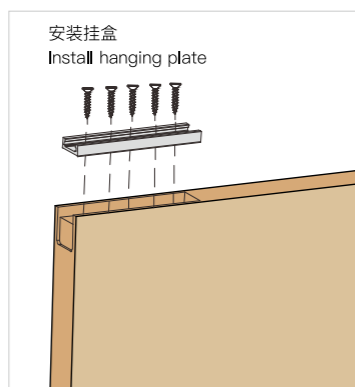
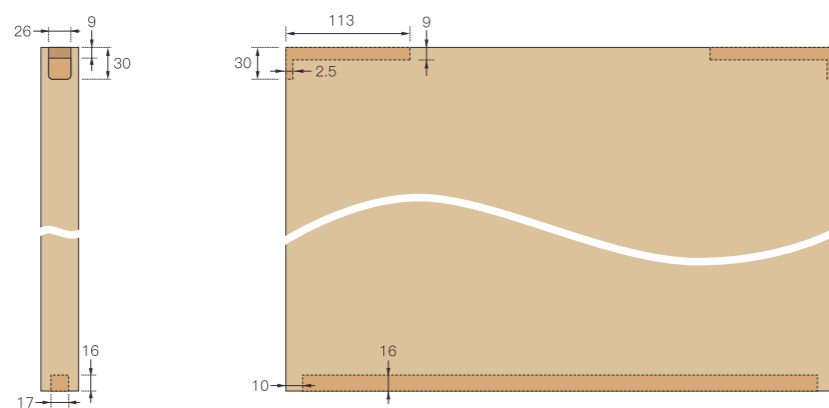
Single door weight: ≤100kg (over 100kg can be customized)
Rated power: 300W Voltage
Average round-trip power: 40W
Opening speed: 0.2~0.5m/s
Closing speed: 0.2~0.5m/s
Opening time: 0~30s
Operating temperature: -40°C ~ 60°C

T908A 磁悬浮电动吊滑轮 (木门开槽) ELECTRIC MAGNETIC SUSPAENSION HANGING ROLLER SERIES (WOODEN DOOR NEED SLOTTING)

安装参数 INSTALLATION

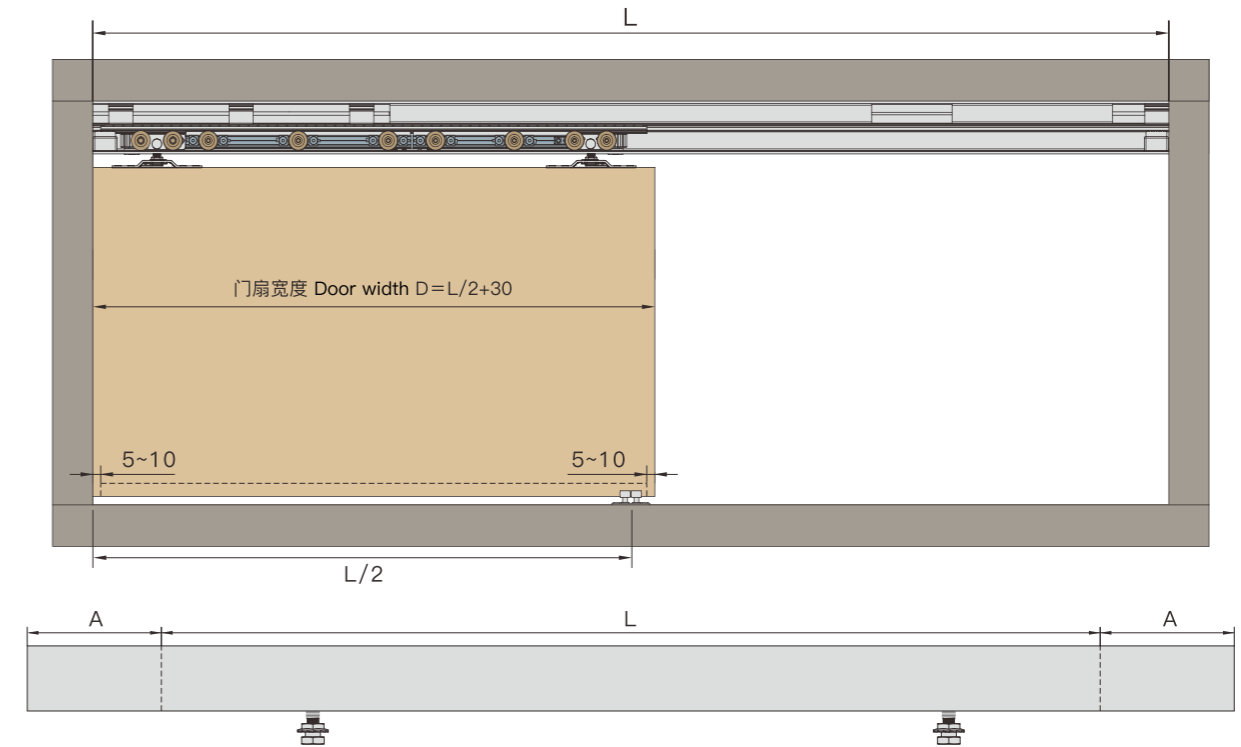
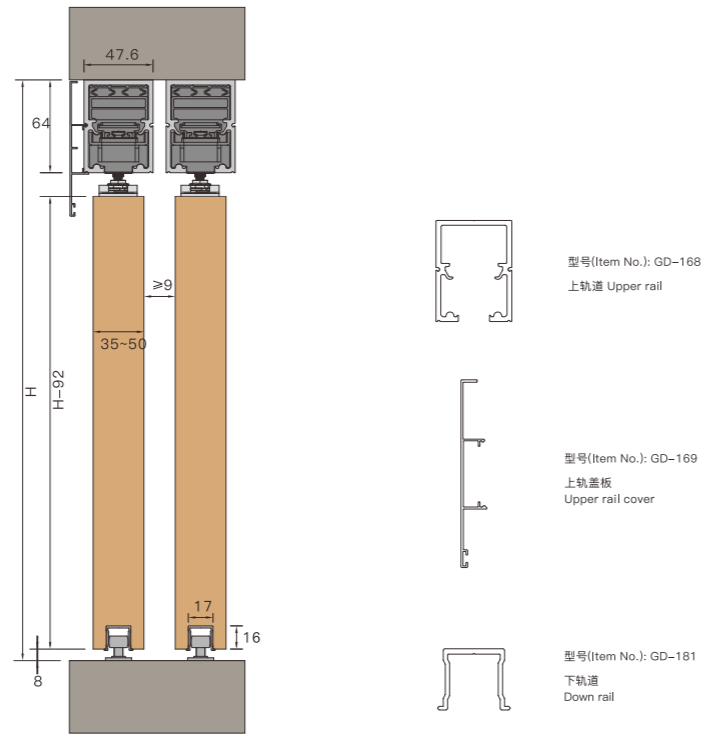


门板开槽 Door slotting dimension

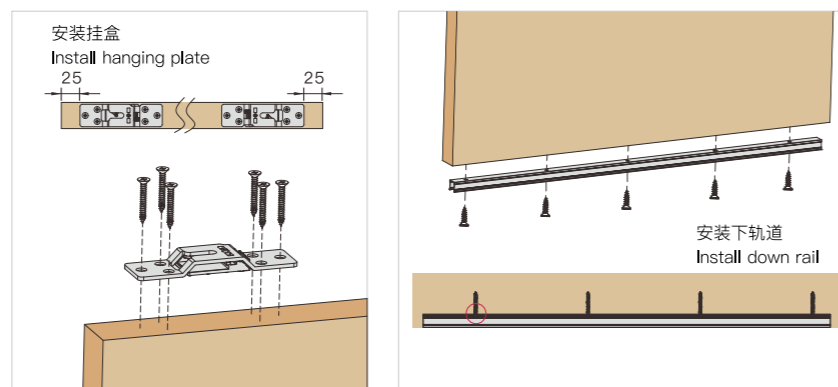
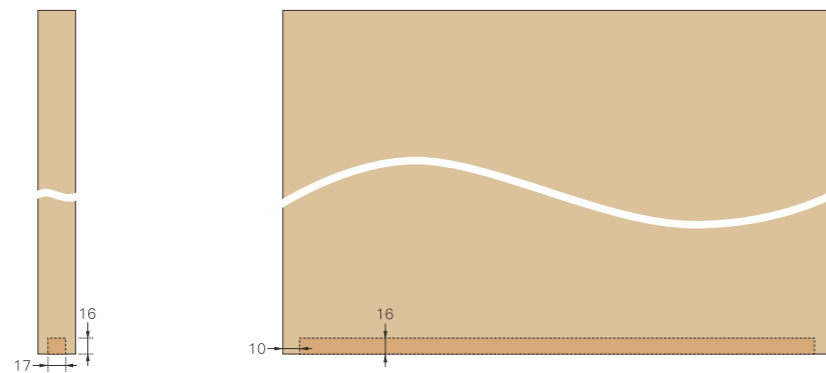


T908B 磁悬浮电动吊滑轮 (木门不开槽) ELECTRIC MAGNETIC SUSPENSION HANGING ROLLER SERIES (WOODEN DOOR NO DRILLING)

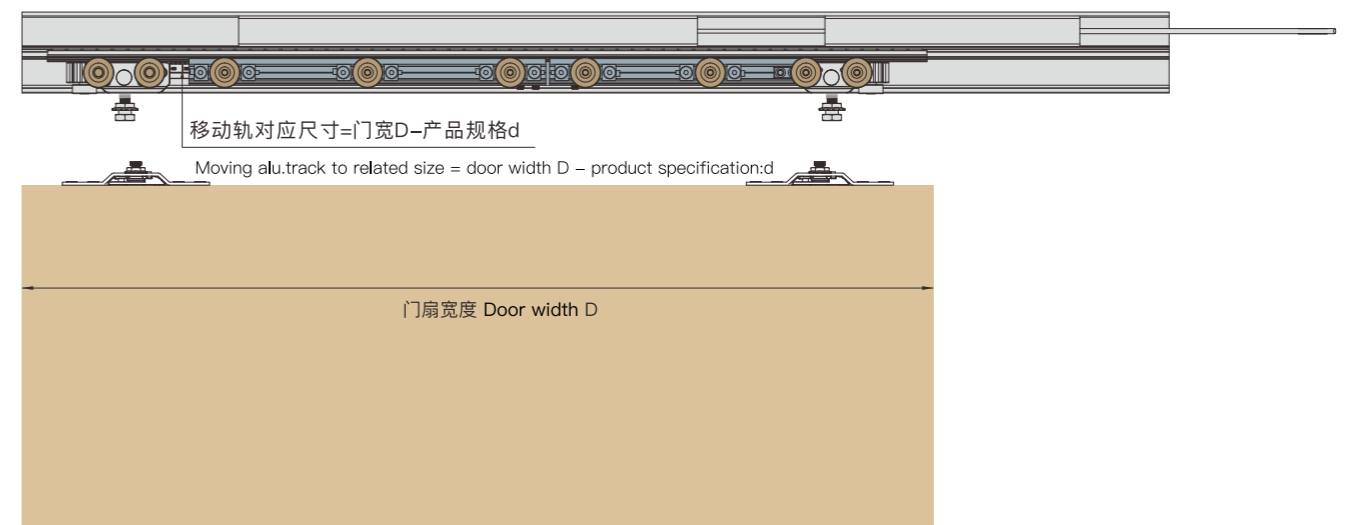
安装参数 INSTALLATION



门板开槽
Door slotting dimension



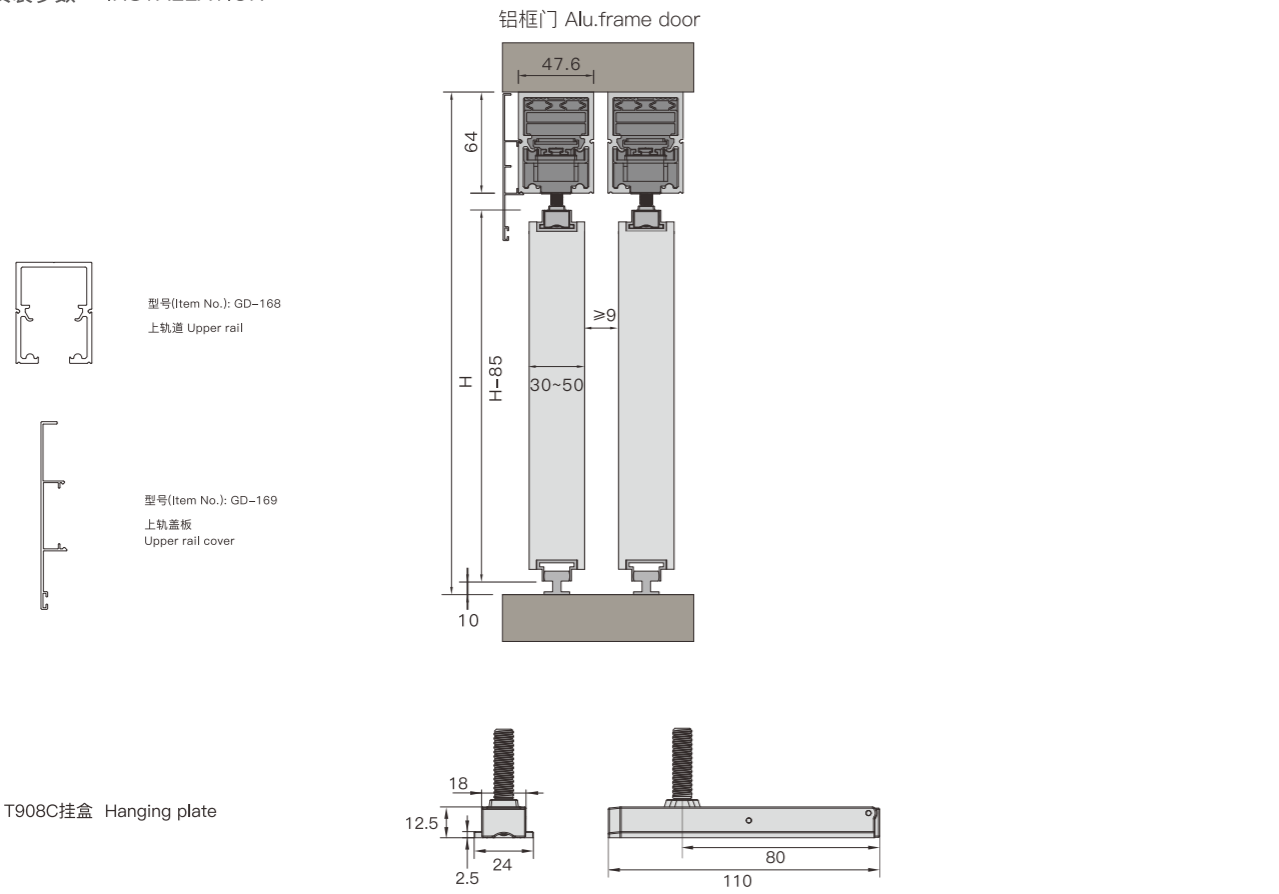
调整轨道长度 (两边需裁切相同长度A)
Adjust the alu. track length (cut same length A at both side)



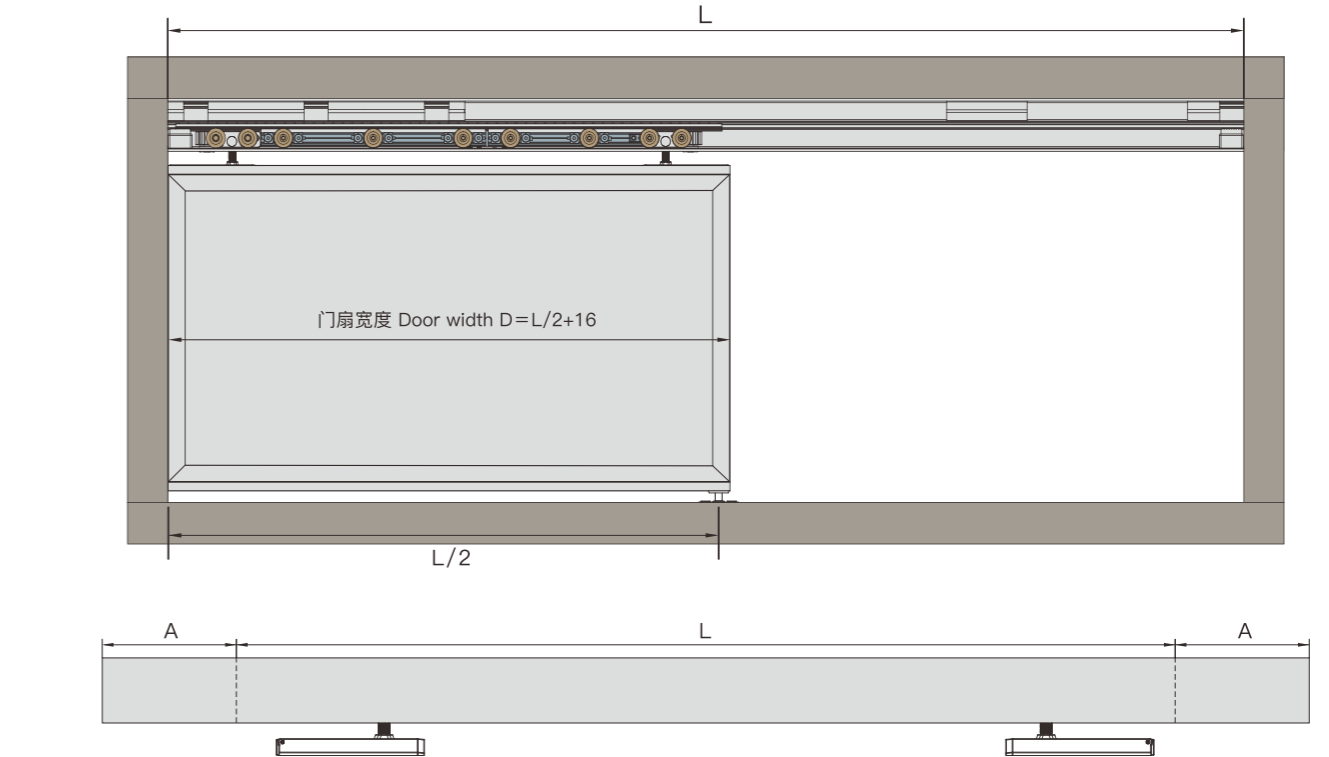
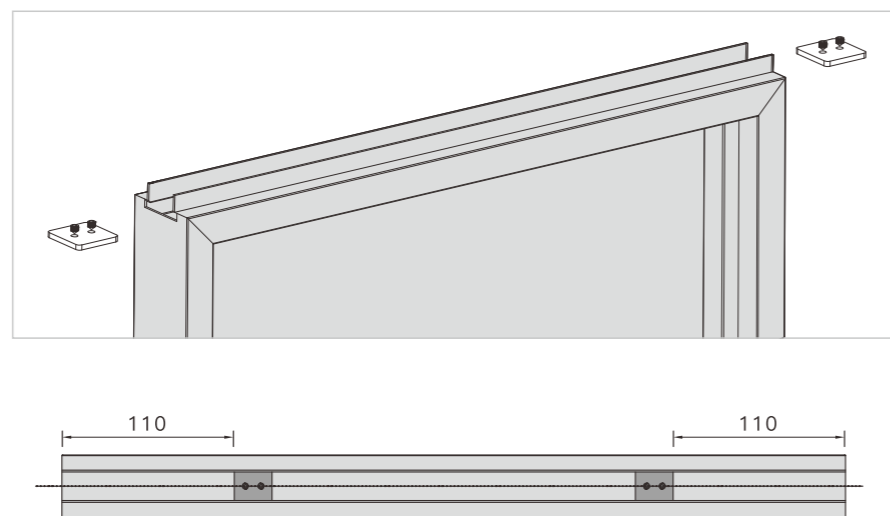
T908C 磁悬浮电动吊滑轮 (铝框门)

ELECTRIC MAGNETIC SUSPENSION HANGING ROLLER SERIES (ALU.FRAME DOOR)

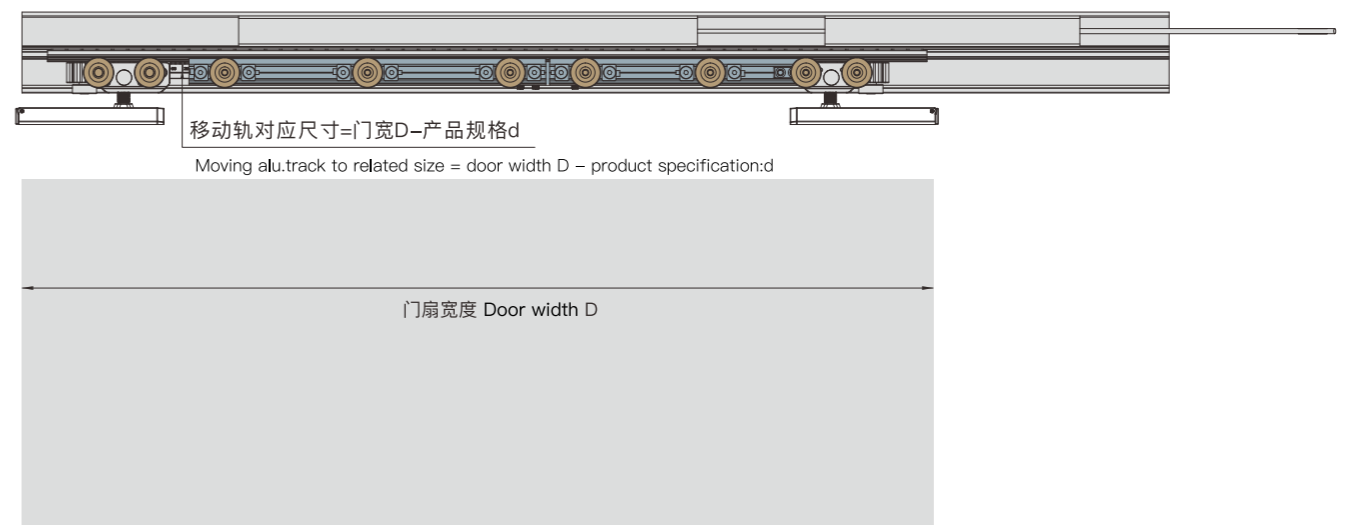
安装参数 INSTALLATION



安装挂盒限位件
Install hanging plate stopper

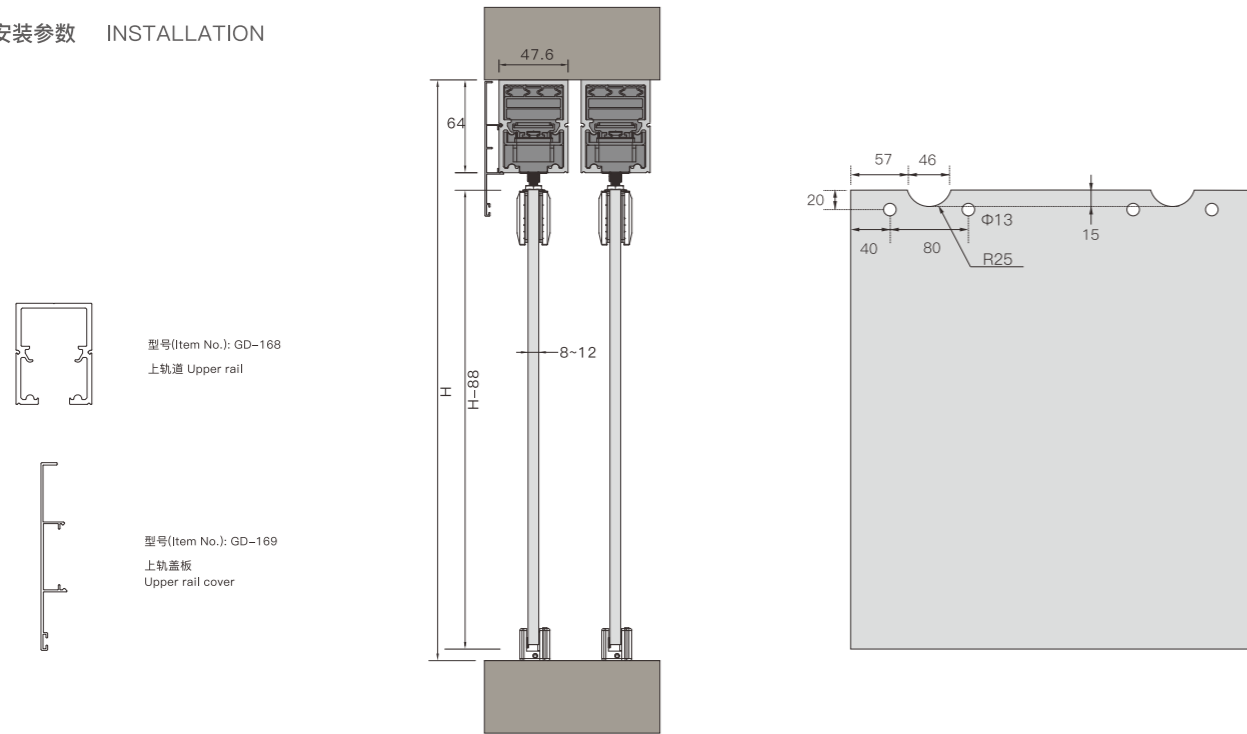


调整轨道长度 (两边需裁切相同长度A)
Adjust the alu. track length (cut same length A at both side)



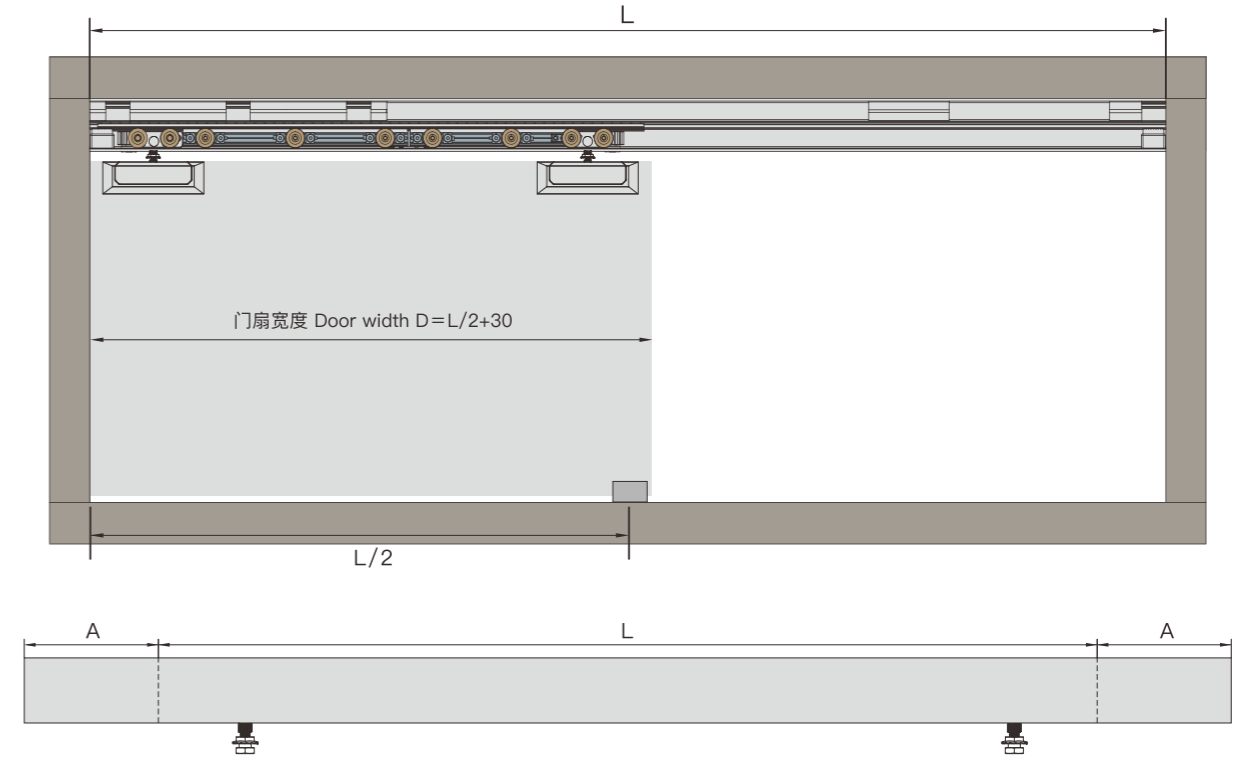
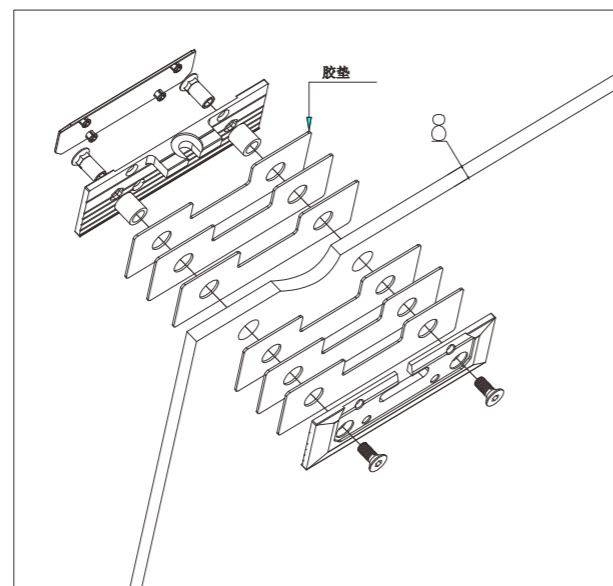
T908D 磁悬浮电动吊滑轮 (玻璃门开槽) ELECTRIC MAGNETIC SUSPENSION HANGING ROLLER SERIES (GLASS DOOR NEED SLOTTING)

安装参数 INSTALLATION

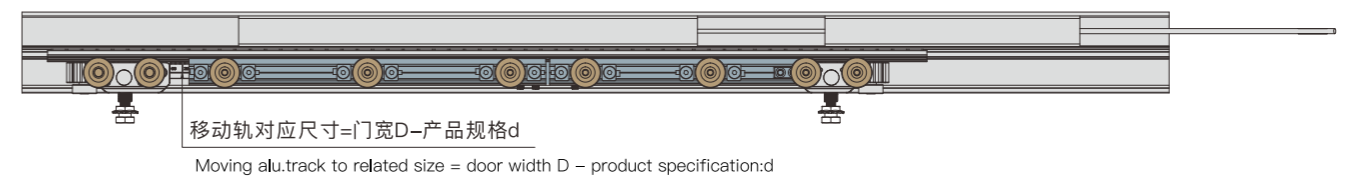


安装玻璃挂板
Install glass plate

玻璃厚度 Glass thickness	8mm	10mm	12mm
单边胶垫数量 Qty of plastic spacer for one side	3	2	1

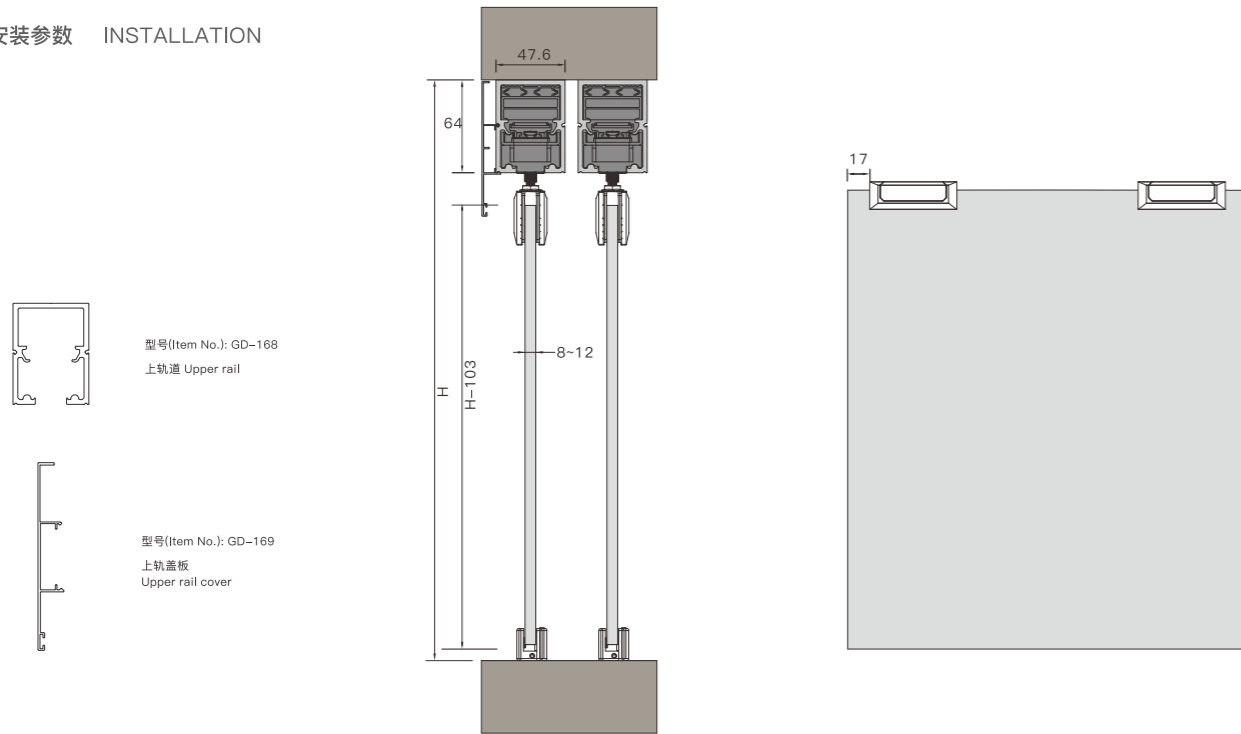


调整轨道长度 (两边需裁切相同长度A)
Adjust the alu. track length (cut same length A at both side)



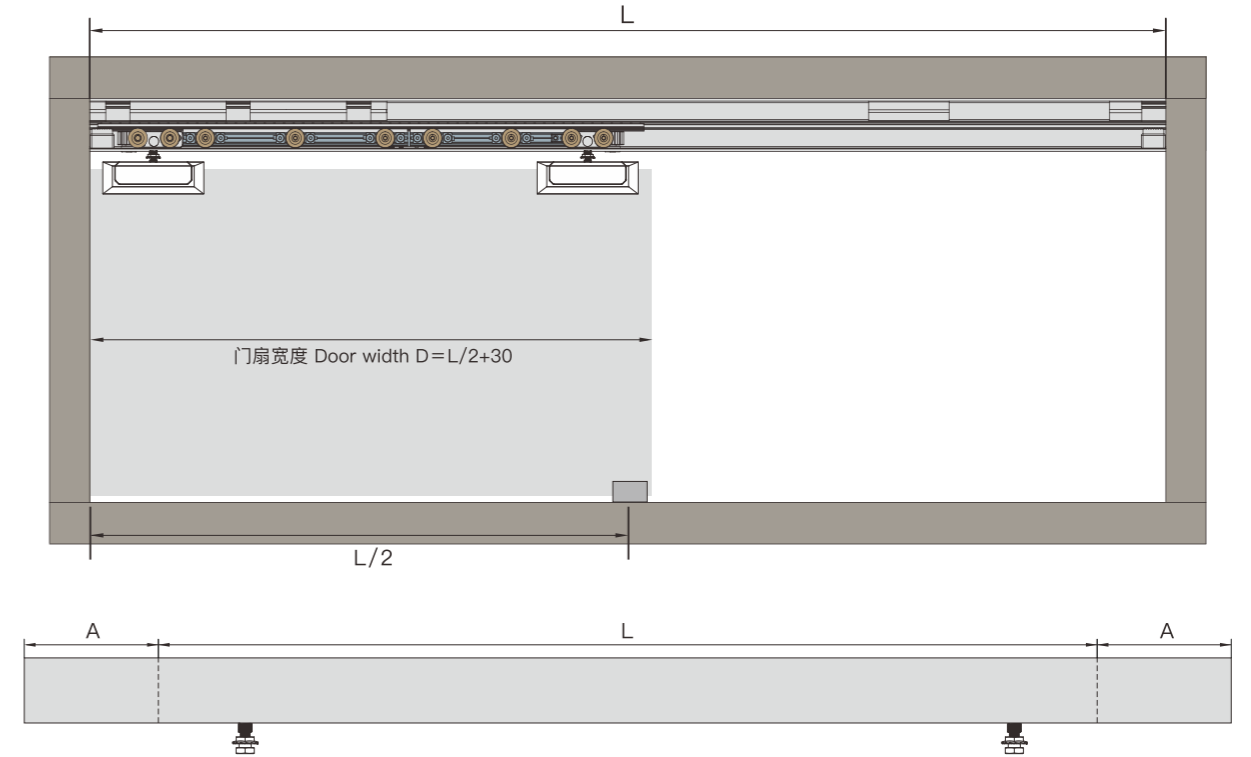
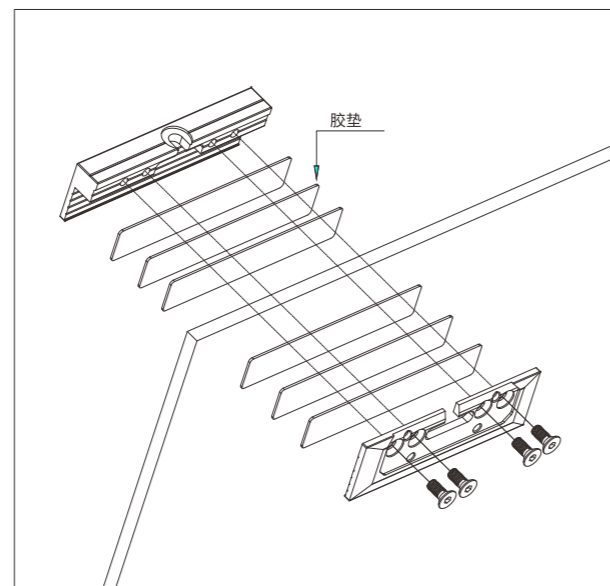
T908E 磁悬浮电动吊滑轮 (玻璃门不开槽) ELECTRIC MAGNETIC SUSPENSION HANGING ROLLER SERIES (GLASS DOOR WITHOUT SLOTTING)

安装参数 INSTALLATION



安装玻璃挂板
Install glass plate

玻璃厚度 Glass thickness	8mm	10mm	12mm
单边胶垫数量 Qty of plastic spacer for one side	3	2	1



调整轨道长度 (两边需裁切相同长度A)
Adjust the alu. track length (cut same length A at both side)

