

T905

T905双缓冲吊滑轮系列 DOUBLE SOFT CLOSING HANGING ROLLER SERIES



标准配置

ACCESSORIES

| 型号 Item No: | 挂盒 Hanging plate | 下导向件 Bottom guide | 滑轮 (双缓冲) & 挡件 Runner (double soft closing) & Stopper |
|----------------|--|--|---|
| T905A |  X2 |  |  |
| T905B |  X2 |  X1 | |
| T905C |  X2 |  X1  X2 | |
| T905D |  X2 |  | |
| T905E |  X2 |  X1 | |

| 类型 Type | 门重 (kg) Door weight (kg) | 门宽 (mm) Door width (mm) |
|---------------------|-----------------------------|----------------------------|
| 轻型 Light-damper | ≤60kg | 580-1200 |
| 通用型 Standard-damper | ≤80kg | 580-1200 |
| 重型 Heavy-damper | ≤100kg | 580-1200 |

功能与特点

HIGHLIGHTS

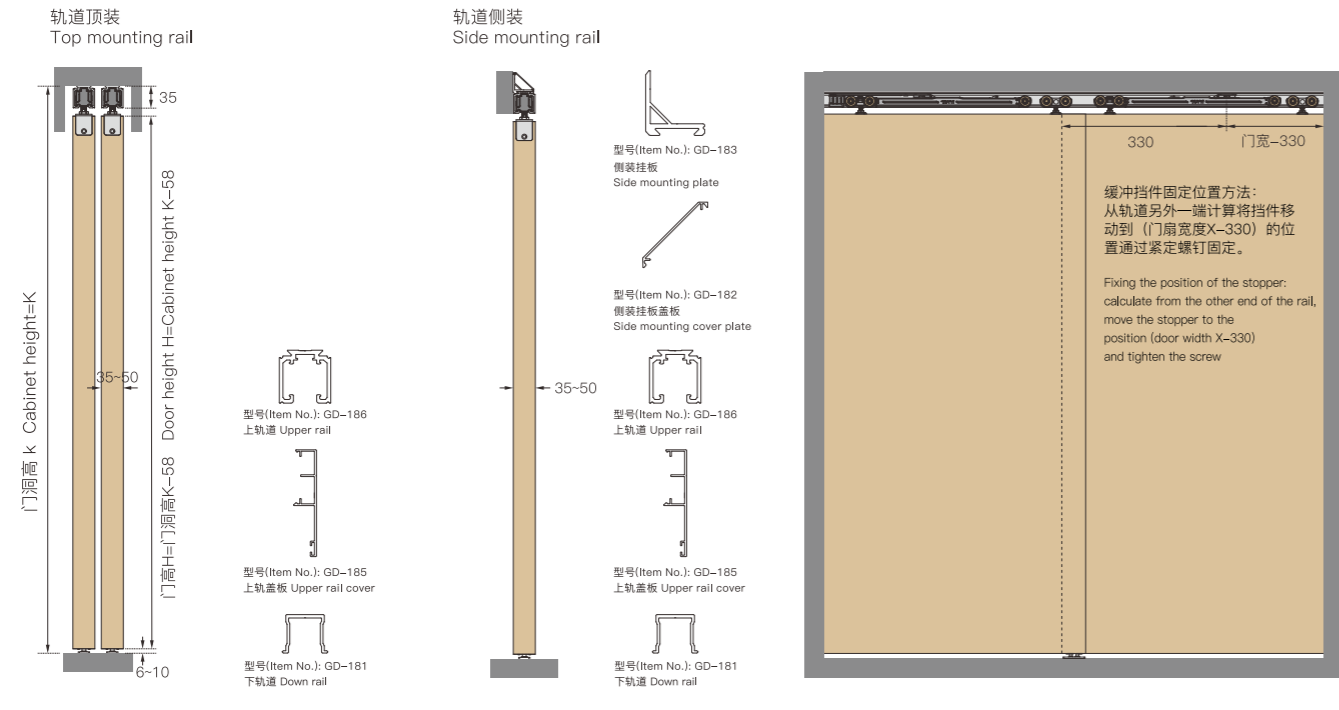
采用高精度滑轮，滑动平稳，顺畅、静音；
 安装及拆卸便捷；
 适用于：单扇及双扇木门、铝框门、玻璃门；
 门厚：35-50mm(木门)，30-50mm(铝框门)，8-12mm(玻璃门)

High precise roller, stable, smooth and silent sliding;
 Easy installation and remove;
 Apply to Wooden door (Single & Double) 、Aluminum frame door、Glass door
 Door thickness: 35-50mm (wooden door), 35-50mm (aluminum frame door), 8-12mm (glass door)

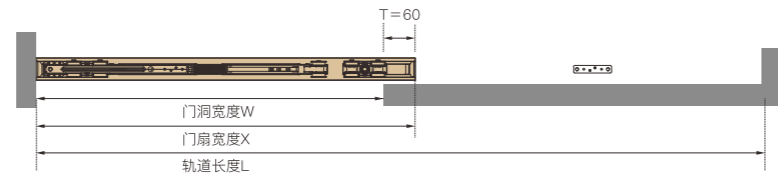
T905A

双缓冲吊滑轮(木门开槽) DOUBLE SOFT CLOSING HANGING ROLLER (WOODEN DOOR SLOTTING)

安装参数 INSTALLATION

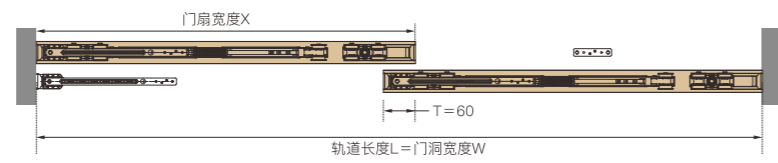


门扇宽度X=门洞宽度W+60
轨道长度L=门扇宽X*2-60



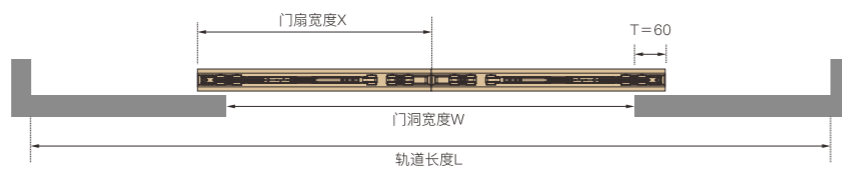
Door width X = Cabinet width W+60
Rail length L = Door width X*2-60

门扇宽度X=门洞宽度W/门数+30
轨道长度L=门洞宽度W



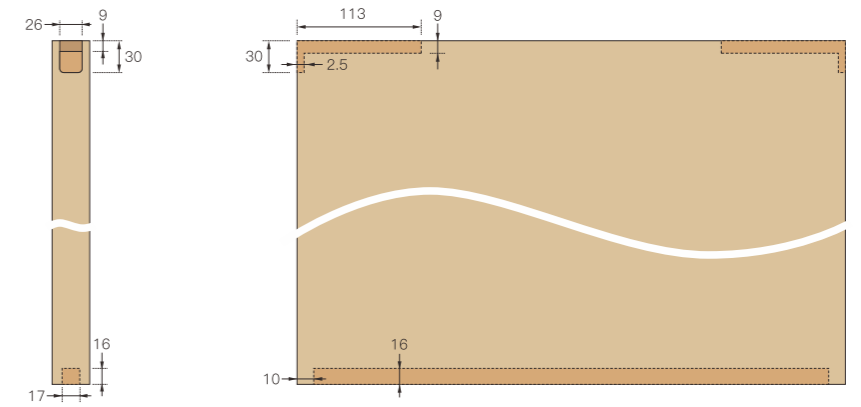
Door width X = Cabinet width W/doors qty+30
Rail length L = Cabinet width W

门扇宽度X=门洞宽度W/门数2+60
轨道长度L=门洞宽W*2+120

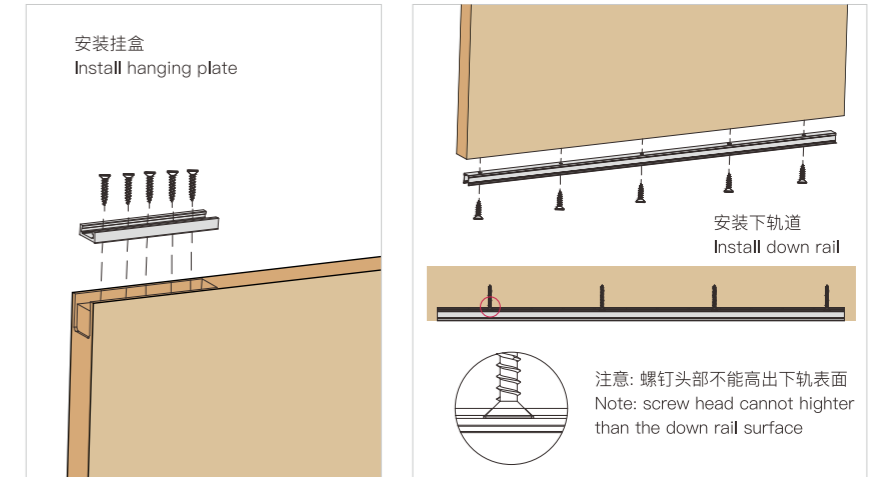


Door width X = Cabinet width W/doors qty2+60
Rail length L = Cabinet width W*2+120

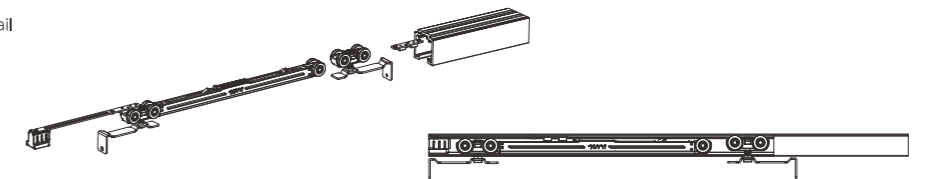
门板开槽
Door slotting



安装挂盒及下轨道
Install hanging plate and down rail

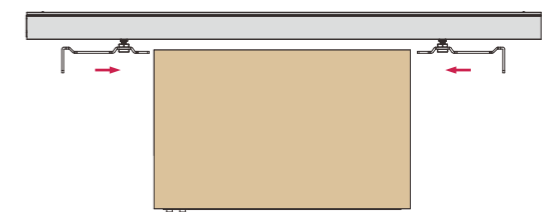


将门停组件和滑轮组件依次装入轨道内部
Stopper components and runners install into the rail



将滑轮组件上的插片插入套内, 用自攻螺钉锁紧;
调节门扇水平, 安装完成。

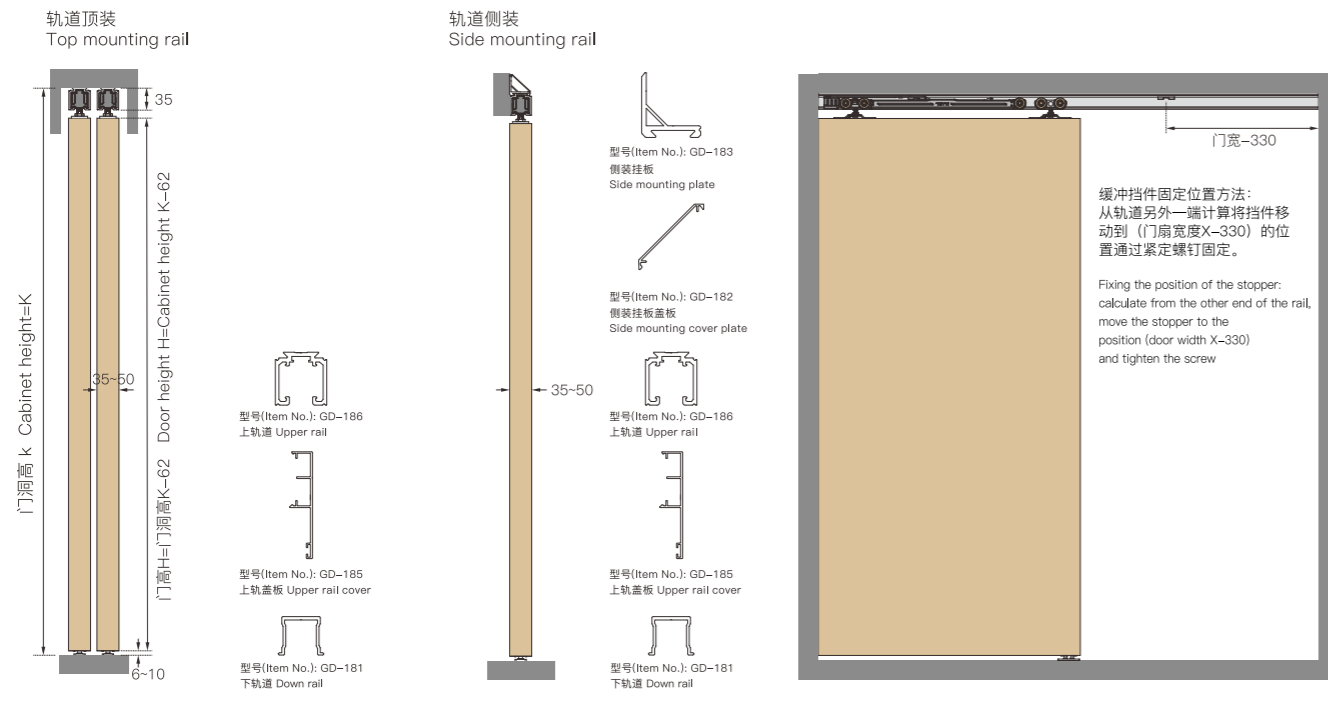
Install the insert into sleeve, lock and tighten with screws
Adjust door level to finish installation



T905B

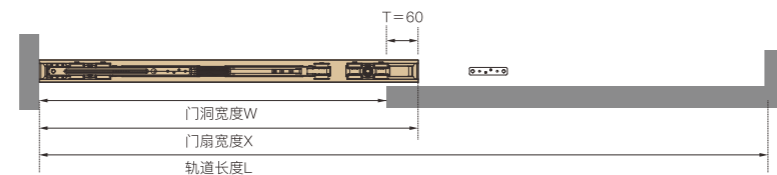
双缓冲吊滑轮 (木门不开槽) DOUBLE SOFT CLOSING HANGING ROLLER (WOODEN DOOR NO NEED SLOTTING)

安装参数 INSTALLATION



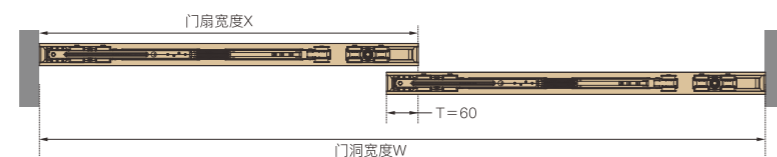
门扇宽度 X = 门洞宽度 W + 60
 轨道长度 L = 门扇宽度 X * 2 - 60

Door width X = Cabinet width W + 60
 Rail length L = Door width X * 2 - 60



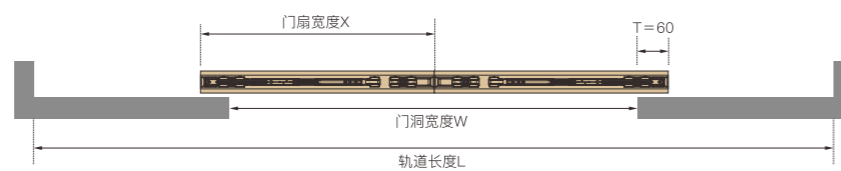
门扇宽度 X = 门洞宽度 W / 门数 + 30
 轨道长度 L = 门洞宽度 W

Door width X = Cabinet width W / doors qty + 30
 Rail length L = Cabinet width W

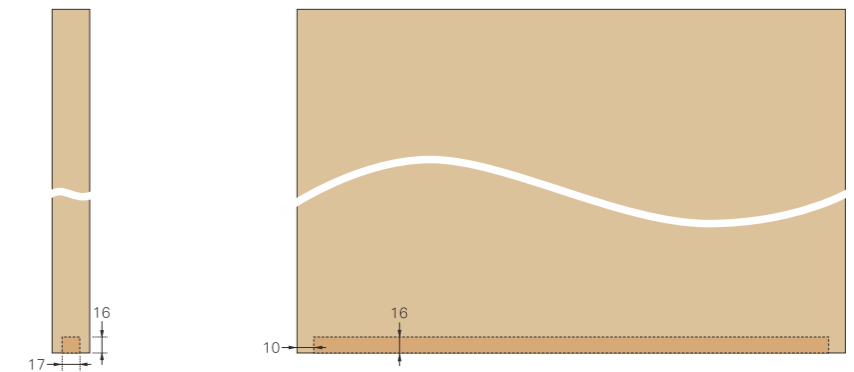


门扇宽度 X = 门洞宽度 W / 门数 * 2 + 60
 轨道长度 L = 门洞宽度 W * 2 + 120

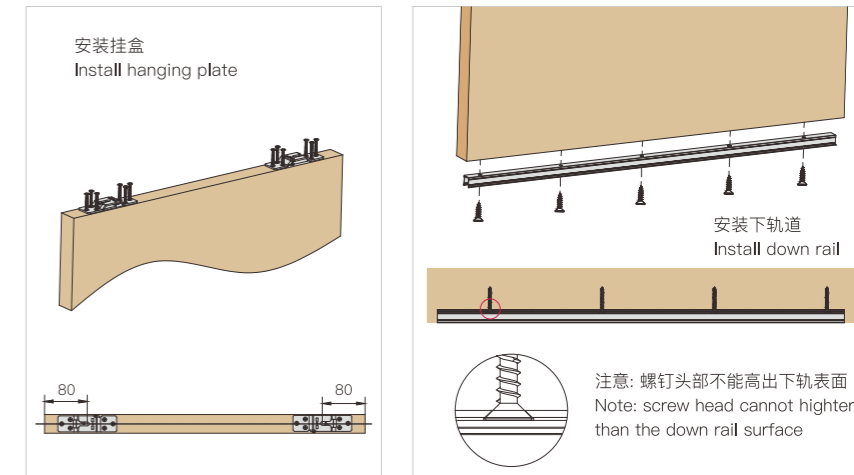
Door width X = Cabinet width W / doors qty * 2 + 60
 Rail length L = Cabinet width W * 2 + 120



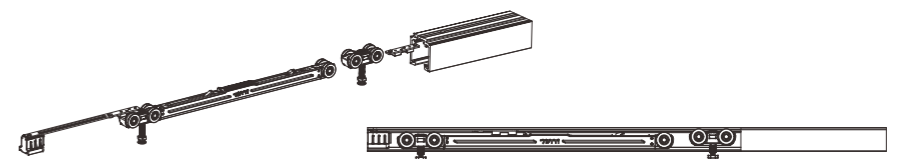
门板开槽
 Door slotting



安装挂盒及下轨道
 Install hanging plate and down rail



将门停组件和滑轮组件依次装入轨道内部
 Stopper components and runners install into the rail



将门扇抬起把滑轮组件上的螺杆底部卡入挂板槽位,
 通过扳手调节门扇水平, 安装完成。

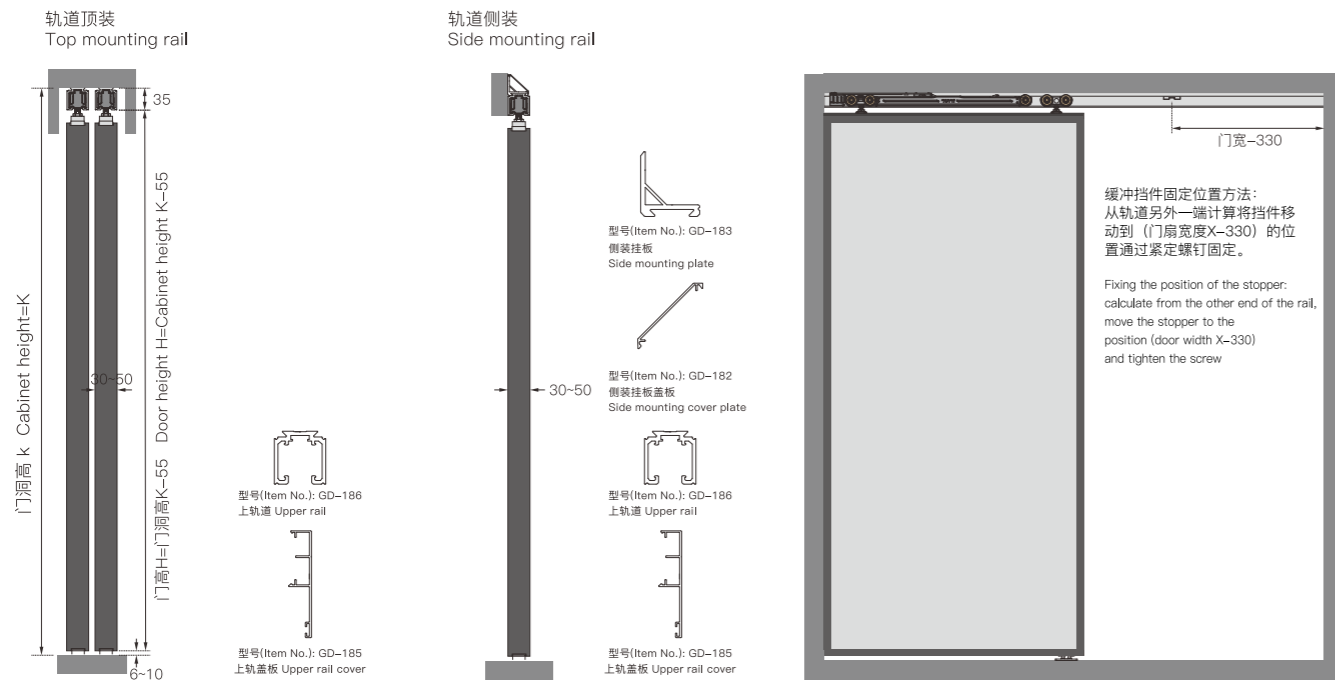
Lift up the door and put the bottom of rod into the slot



T905C

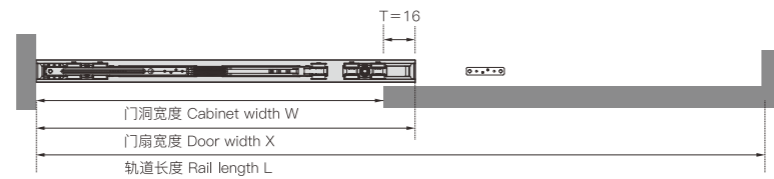
双缓冲吊滑轮 (窄边铝框) DOUBLE SOFT CLOSING HANGING ROLLER (NARROW ALUMINUM FRAME)

安装参数 INSTALLATION



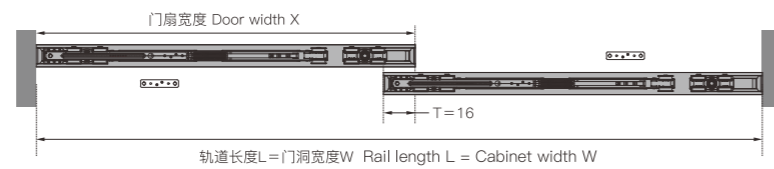
门扇宽度X=门洞宽度W+16
轨道长度L=门扇宽度X*2-16

Door width X= Cabinet width W+16
Rail length L = Door width X*2-16



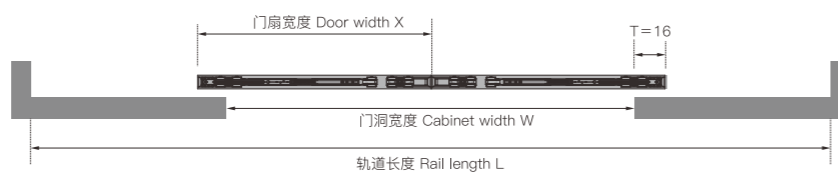
门扇宽度X=门洞宽度W/门数+16
轨道长度L=门洞宽度W

Door width X = Cabinet width W/doors qty+16
Rail length L = Cabinet width W



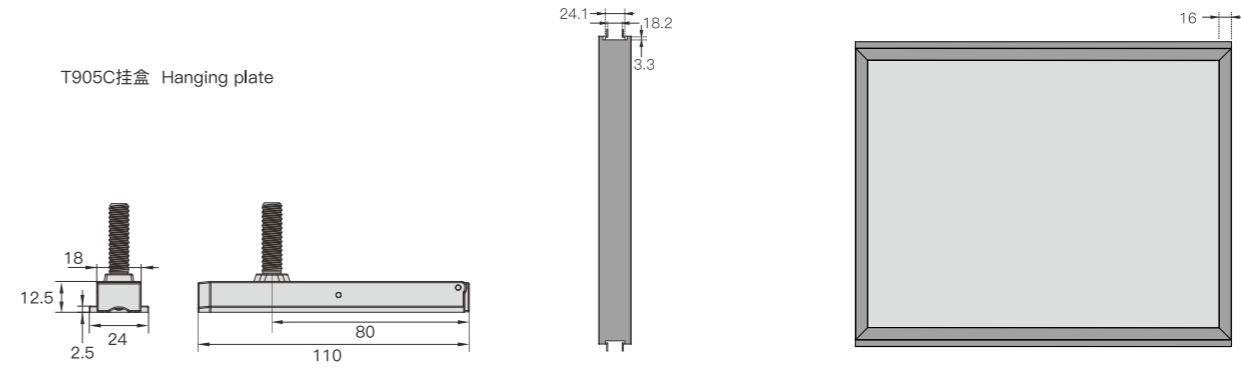
门扇宽度X=门洞宽度W/门数2+16
轨道长度L=门洞宽度W*2+32

Door width X = Cabinet width W/doors qty2+16
Rail length L= Cabinet width W*2+32

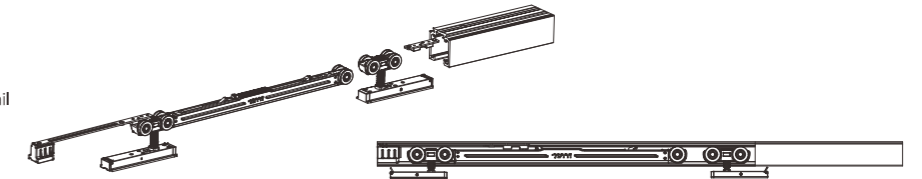


门板 Door panel

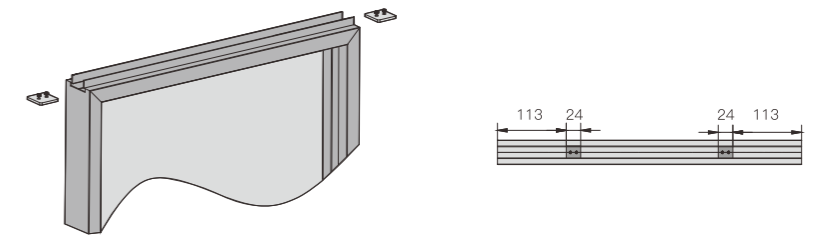
T905C挂盒 Hanging plate



将门停组件和滑轮组件依次装入轨道内部
Stopper components and runners install into the rail

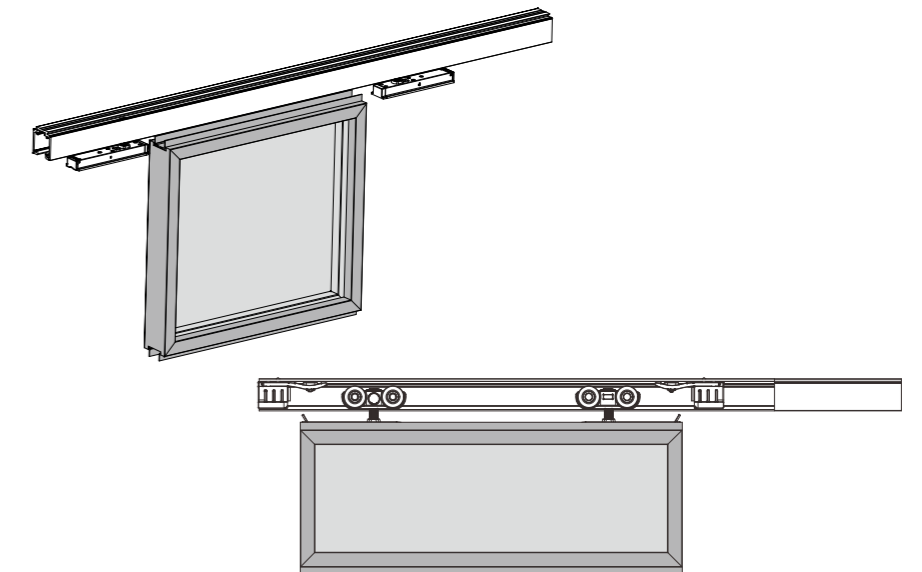


安装防滑出配件
Install anti-slip accessories



安装门板并调节门扇水平, 安装完成

Install door panel and adjust door level to finish installation

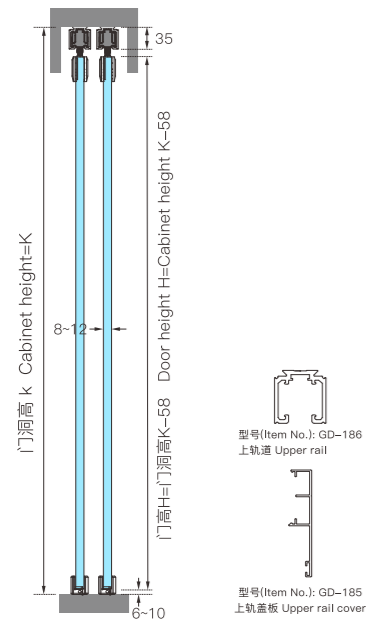


T905D

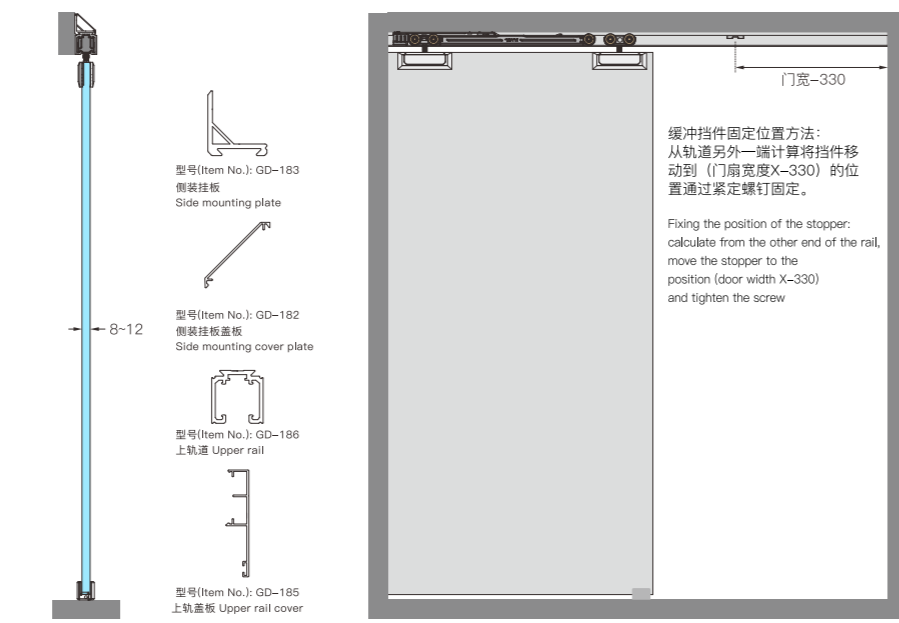
双缓冲吊滑轮 (玻璃门开槽) DOUBLE SOFT CLOSING HANGING ROLLER (GLASS DOOR NEEDS SLOTTING)

安装参数 INSTALLATION

轨道顶装
Top mounting rail

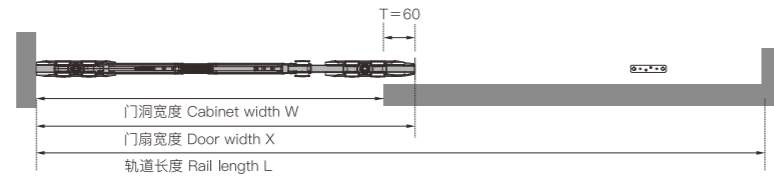


轨道侧装
Side mounting rail



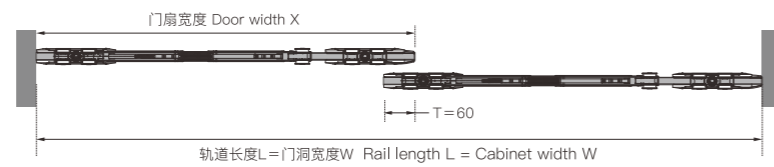
门扇宽度X=门洞宽度W+60
轨道长度L=门扇宽X*2-60

Door width X = Cabinet width W+60
Rail length L = Door width X*2-60



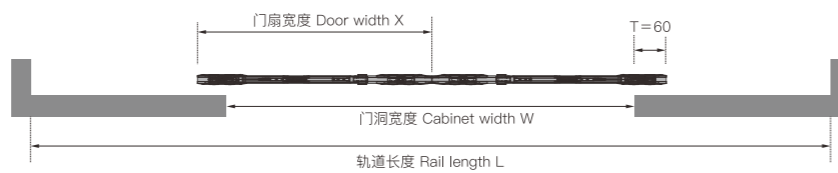
门扇宽度X=门洞宽度W/门数+30
轨道长度L=门洞宽度W

Door width X = Cabinet width W/doors qty+30
Rail length L = Cabinet width W

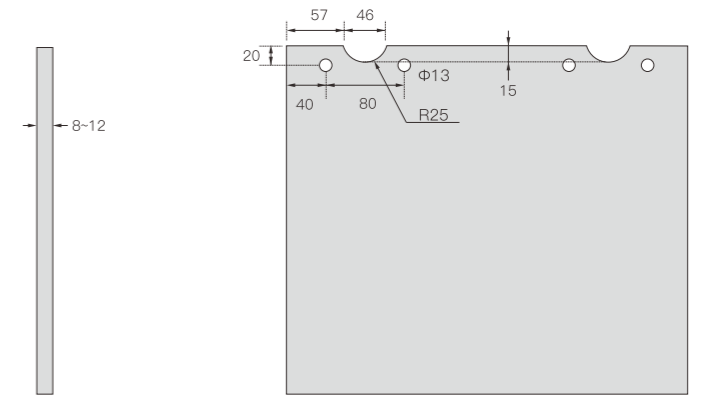


门扇宽度X=门洞宽度W/门数2+60
轨道长度L=门洞宽W*2+120

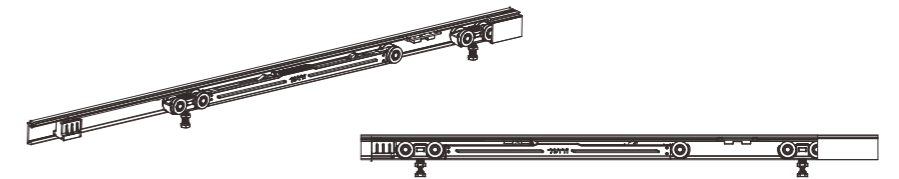
Door width X = Cabinet width W/doors qty2+60
Rail length L = Cabinet width W*2+120



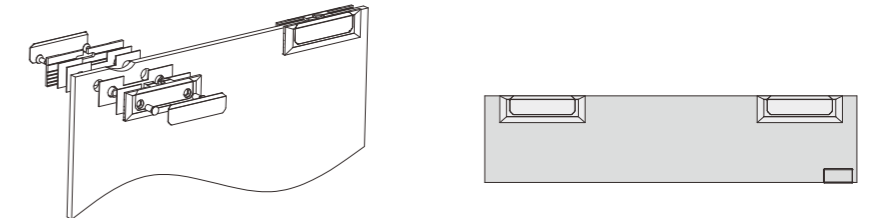
门板开槽
Door slotting



将门停组件和滑轮组件依次装入轨道内部
Stopper components and runners install into the rail

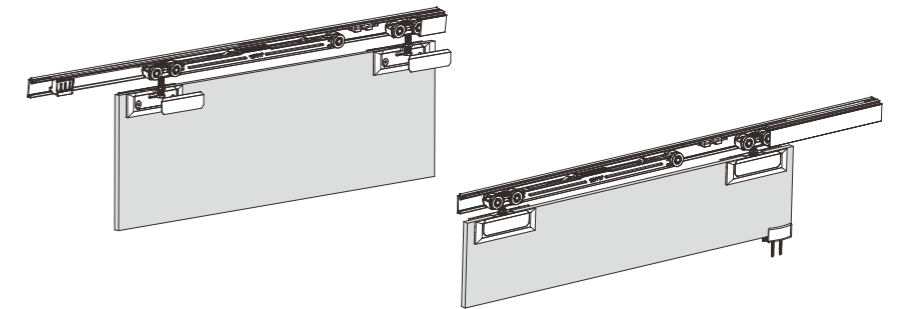


安装玻璃夹
Install glass fixer



安装门板并调节门扇水平, 安装完成

Install door panel and adjust door level to finish installation

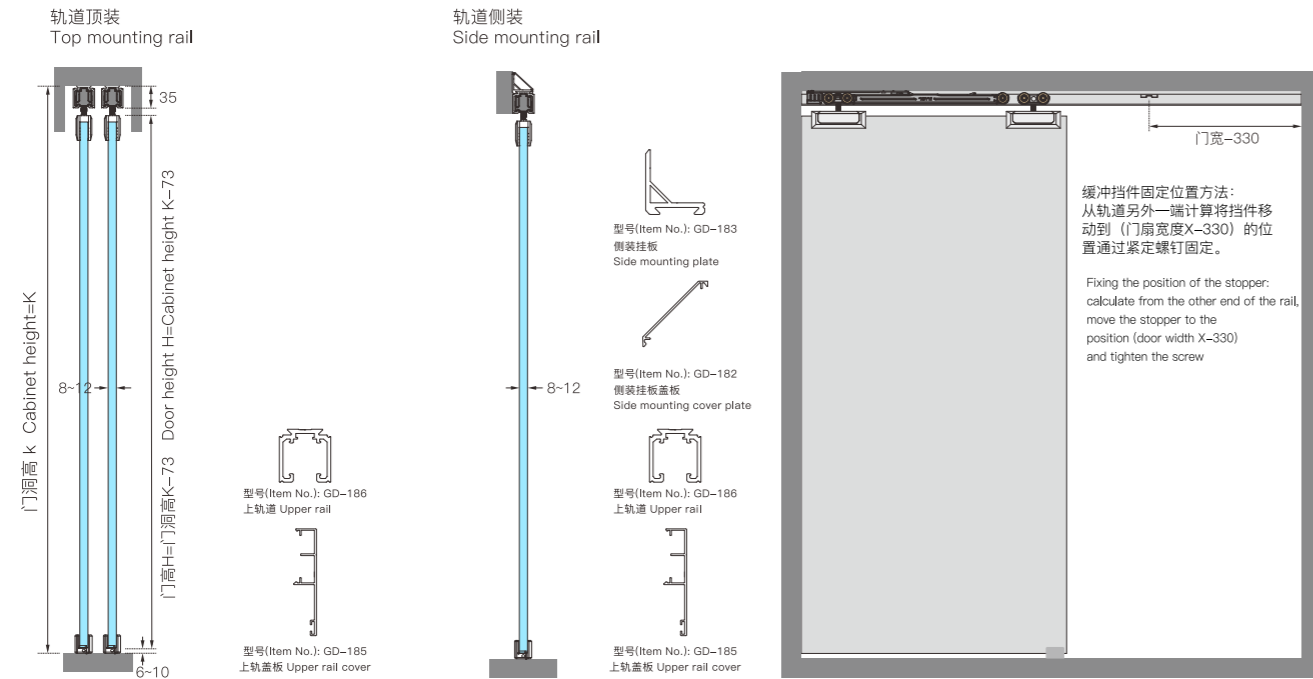


螺钉头部不能高出插片套底部
Screw head cannot higher than the bottom sleeve

T905E

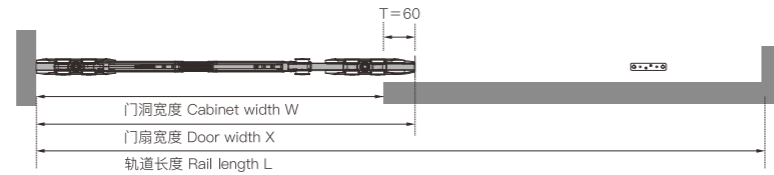
双缓冲吊滑轮(玻璃门不开槽) DOUBLE SOFT CLOSING HANGING ROLLER (NO NEED SLOTTING)

安装参数 INSTALLATION



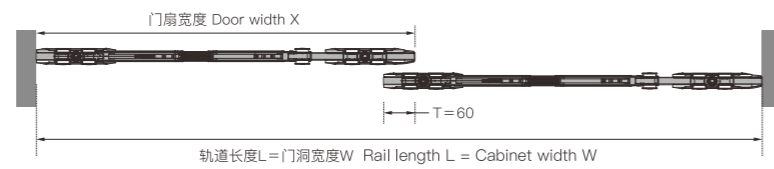
门扇宽度X=门洞宽度W+60
轨道长度L=门扇宽X*2-60

Door width X = Cabinet width W+60
Rail length L = Door width X*2-60



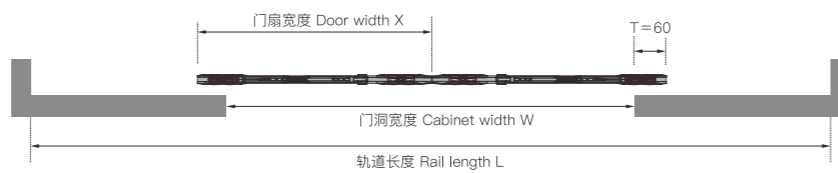
门扇宽度X=门洞宽度W/门数+30
轨道长度L=门洞宽度W

Door width X = Cabinet width W/doors qty+30
Rail length L = Cabinet width W



门扇宽度X=门洞宽度W/门数2+60
轨道长度L=门洞宽W*2+120

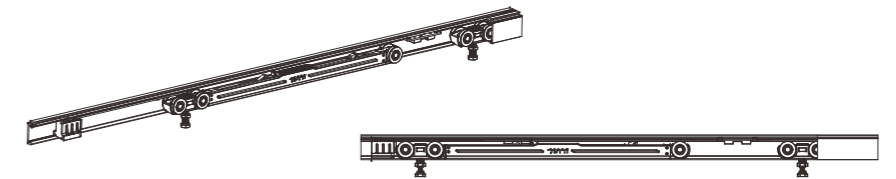
Door width X = Cabinet width W/doors qty2+60
Rail length L = Cabinet width W*2+120



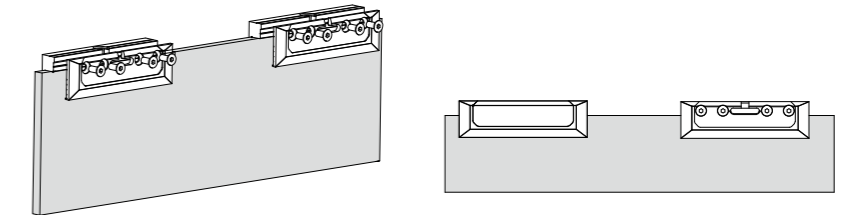
门板 Door panel



将门停组件和滑轮组件依次装入轨道内部
Stopper components and runners install into the rail

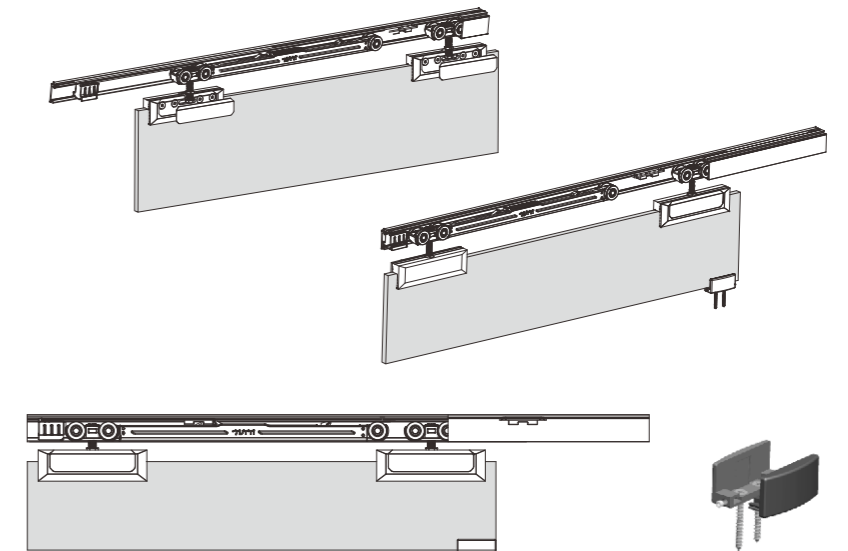


安装玻璃夹
Install glass fixer



安装门板并调节门扇水平, 安装完成

Install door panel and adjust door level to finish installation



螺钉头部不能高出插片套底部
Screw head cannot higher than the bottom sleeve