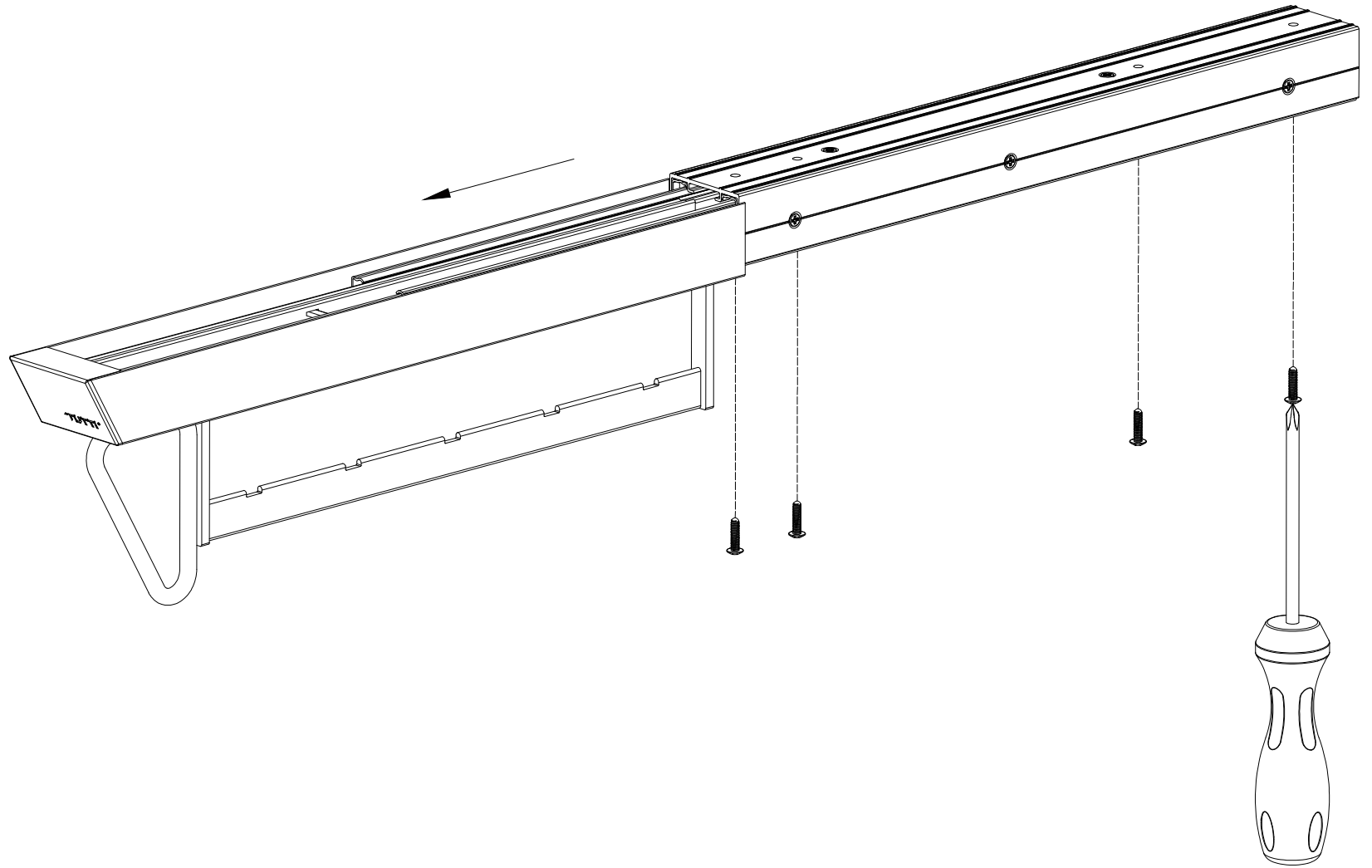
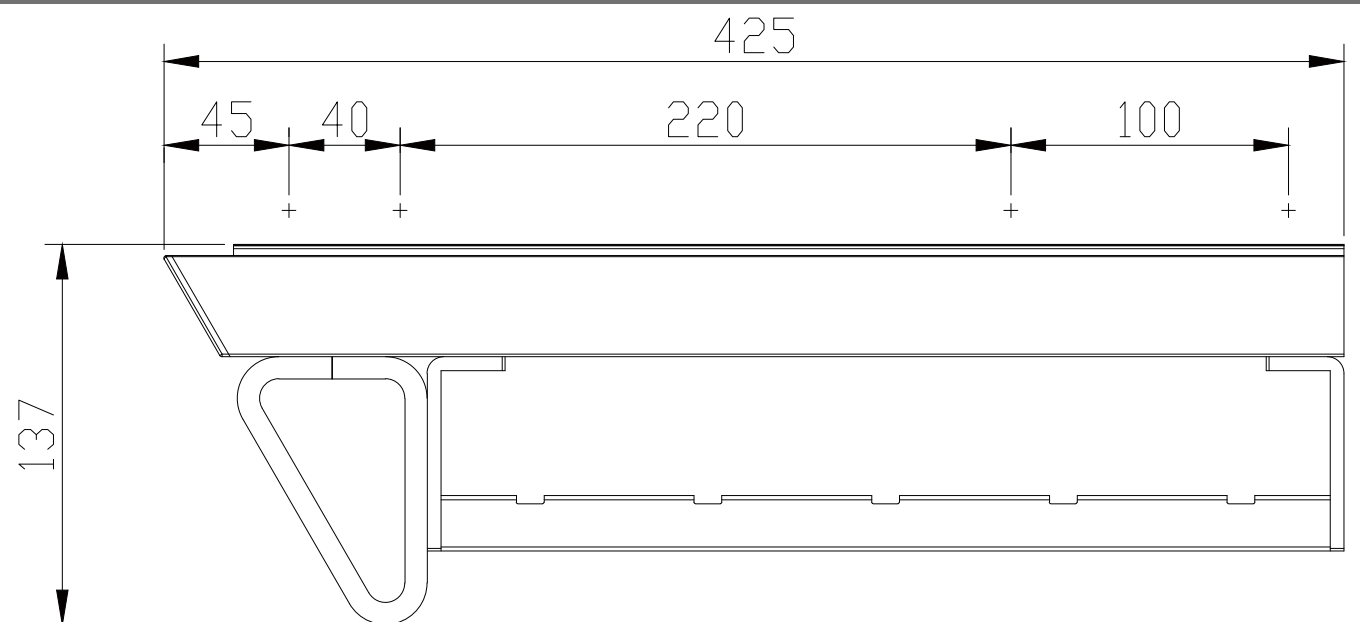


1. Extends the top-installed closet hanger, and then installs by screw
(here enclosed the closet hanger as an example)

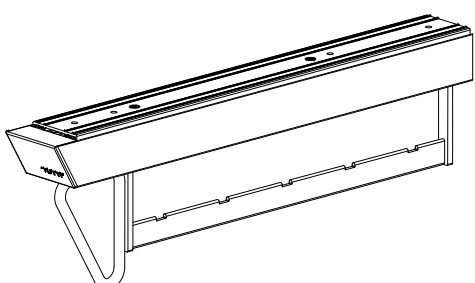


2. Drilling dimension of slides' installation holes (here enclosed the closet hanger as an example)

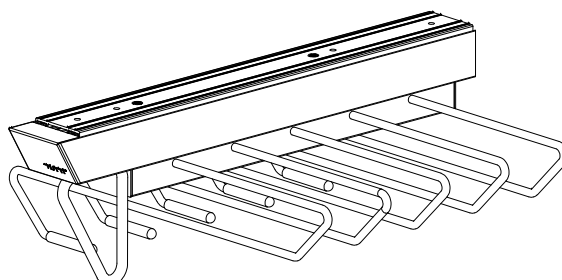


Optional wardrobe fittings

Top-installed closet hanger



Top-installed single row
trousers hanger



Top-installed double row
trousers hanger

