



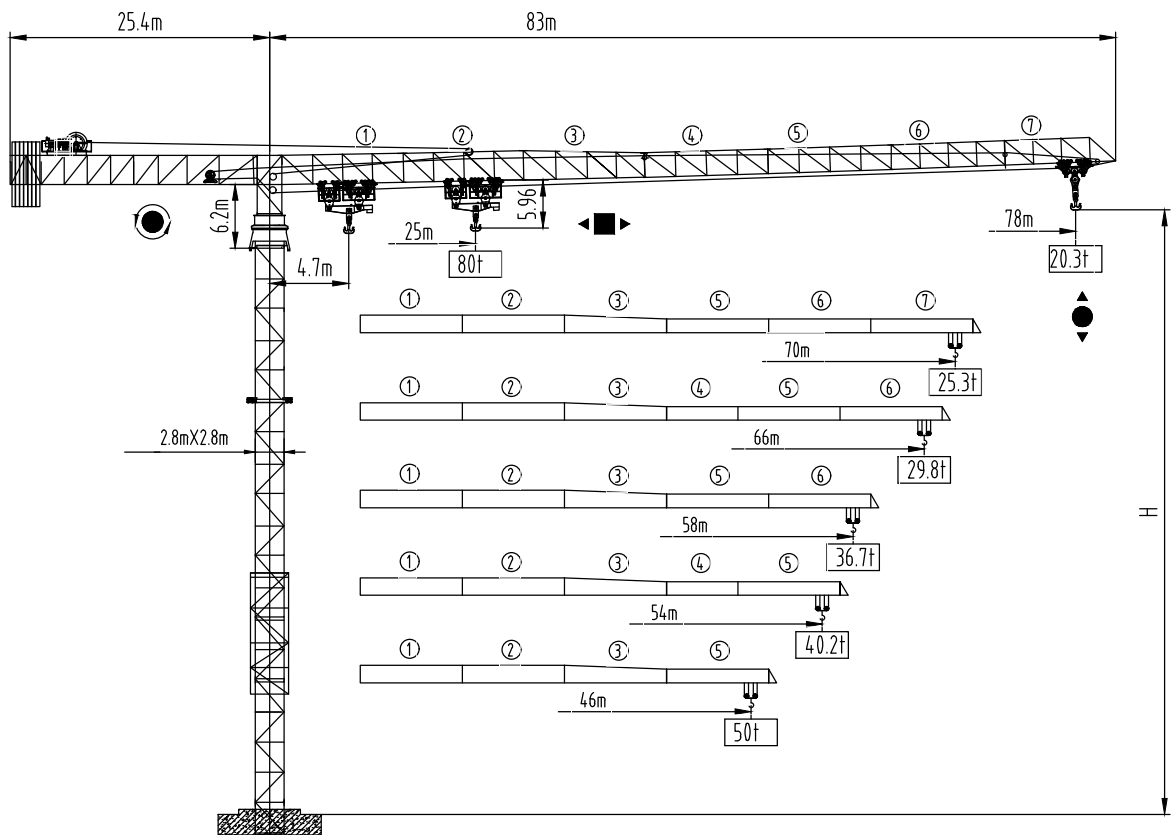
沈阳三洋建筑机械有限公司

SHENYANG SANYO BUILDING MACHINERY CO., LTD

TOWER CRANE QTP 2100t · m

(R78/203)

Max Load:80Ton  
 Jib:78M  
 Tip Load:20.3Ton  
 Free Standing:60.75M





### 载荷特性 Load diagrams

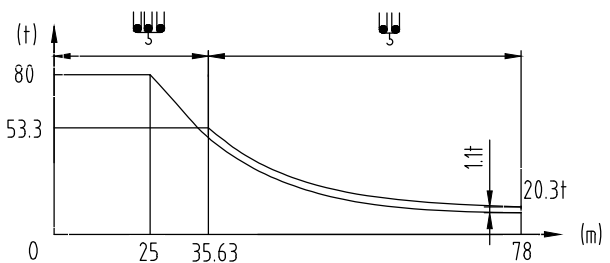
|     |     |   |       |       |       |       |       |       |       |       |       |       |       |       |      |      |      |   |
|-----|-----|---|-------|-------|-------|-------|-------|-------|-------|-------|-------|-------|-------|-------|------|------|------|---|
| 78m | 4.7 | - | 25    | 30    | 35.6  | 40    | 45    | 46    | 48    | 50    | 54    | 58    | 60    | 66    | 70   | 72   | 78   | m |
|     |     |   | 80    | 65    | 53.3  | 45.5  | 39.4  | 38.51 | 36.4  | 34.6  | 31.5  | 28.65 | 27.4  | 24.15 | 22.3 | 21.5 | 19.2 | t |
|     |     |   |       | 35.63 | 40    | 45    | 46    | 48    | 50    | 54    | 58    | 60    | 66    | 70    | 72   | 78   | m    |   |
|     |     |   |       | 53.3  | 46.6  | 40.5  | 39.61 | 37.5  | 35.7  | 32.6  | 29.75 | 28.5  | 25.25 | 23.4  | 22.6 | 20.3 | t    |   |
| 70m | 4.7 | - | 26.33 | 30    | 35    | 37.5  | 40    | 45    | 46    | 48    | 50    | 54    | 58    | 60    | 66   | 70   | m    |   |
|     |     |   | 80    | 69.04 | 57.8  | 53.3  | 48.8  | 42.4  | 41.3  | 39.2  | 37.25 | 33.9  | 31.0  | 29.6  | 26.2 | 24.2 | t    |   |
|     |     |   |       | 37.7  | 40    | 45    | 46    | 48    | 50    | 54    | 58    | 60    | 66    | 70    | m    |      |      |   |
|     |     |   |       | 53.3  | 49.9  | 43.5  | 42.4  | 40.3  | 38.35 | 35    | 32.1  | 30.7  | 27.3  | 25.3  | t    |      |      |   |
| 66m | 4.7 | - | 28.12 | 30    | 35    | 40.1  | 45    | 46    | 48    | 50    | 54    | 58    | 60    | 66    | m    |      |      |   |
|     |     |   | 80    | 74.45 | 62.4  | 53.3  | 46.09 | 44.9  | 42.67 | 40.62 | 36.98 | 33.84 | 32.42 | 28.7  | t    |      |      |   |
|     |     |   |       | 40.5  | 45    | 46    | 48    | 50    | 54    | 58    | 60    | 66    | m     |       |      |      |      |   |
|     |     |   |       | 53.3  | 47.19 | 46    | 43.77 | 41.72 | 38.08 | 34.94 | 33.52 | 29.8  | t     |       |      |      |      |   |
| 58m | 4.7 | - | 29.2  | 30    | 35    | 40    | 41.6  | 45    | 46    | 48    | 50    | 54    | 58    | m     |      |      |      |   |
|     |     |   | 80    | 77.6  | 65.2  | 55.86 | 53.3  | 48.36 | 47.12 | 44.8  | 42.66 | 38.87 | 35.6  | t     |      |      |      |   |
|     |     |   |       | 42.1  | 45    | 46    | 48    | 50    | 54    | 58    | m     |       |       |       |      |      |      |   |
|     |     |   |       | 53.3  | 49.46 | 48.22 | 45.9  | 43.76 | 39.97 | 36.7  | t     |       |       |       |      |      |      |   |
| 54m | 4.7 | - | 29.3  | 30    | 35    | 40    | 41.8  | 45    | 46    | 48    | 50    | 54    | m     |       |      |      |      |   |
|     |     |   | 80    | 77.9  | 65.4  | 56    | 53.3  | 48.63 | 47.38 | 45.05 | 42.9  | 39.1  | t     |       |      |      |      |   |
|     |     |   |       | 42.3  | 45    | 46    | 48    | 50    | 54    | m     |       |       |       |       |      |      |      |   |
|     |     |   |       | 53.3  | 49.73 | 48.48 | 46.15 | 44    | 40.2  | t     |       |       |       |       |      |      |      |   |
| 46m | 4.7 | - | 30    | 35    | 40    | 42.8  | 45    | 46    | m     |       |       |       |       |       |      |      |      |   |
|     |     |   | 80    | 67.2  | 57.6  | 53.3  | 50.17 | 48.9  | t     |       |       |       |       |       |      |      |      |   |
|     |     |   |       | 43.5  | 45    | 46    | m     |       |       |       |       |       |       |       |      |      |      |   |
|     |     |   |       | 53.3  | 51.27 | 50    | t     |       |       |       |       |       |       |       |      |      |      |   |

/ 标准小车可使用 6/4倍率绳 standard trolley 6/4fall.

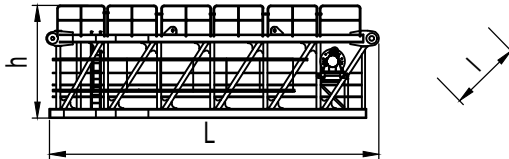
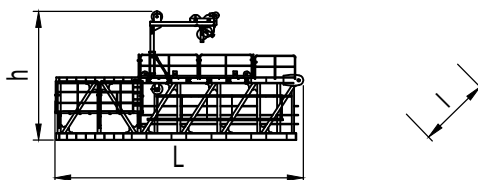
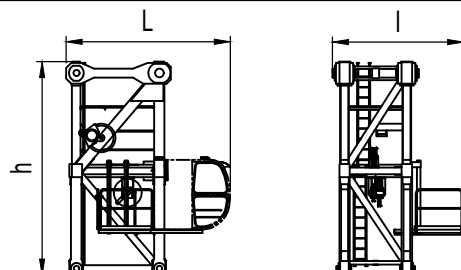
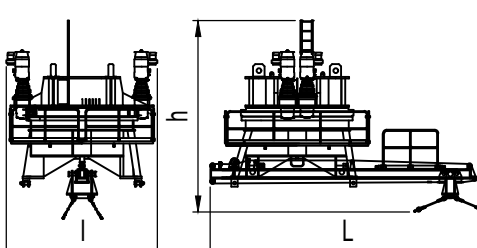
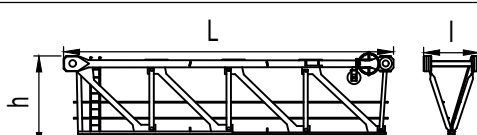

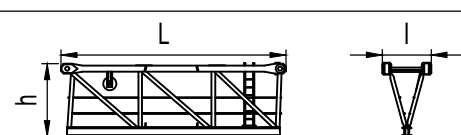
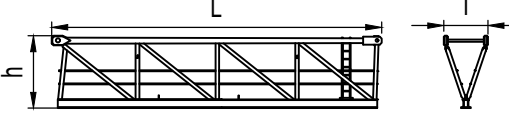
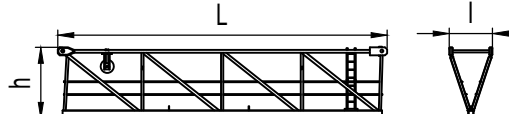
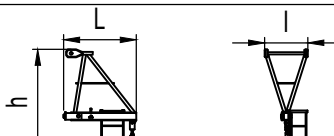
使用六倍率时, 应从四倍率的载荷中减去1.1吨

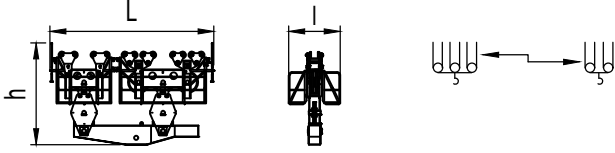
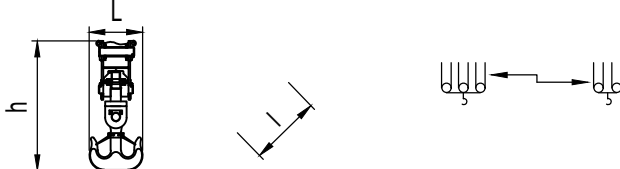
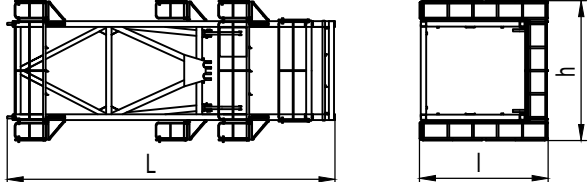
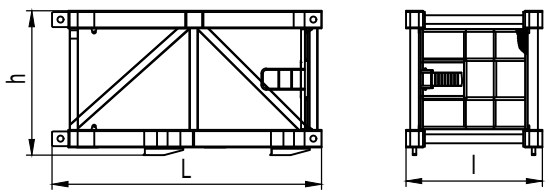
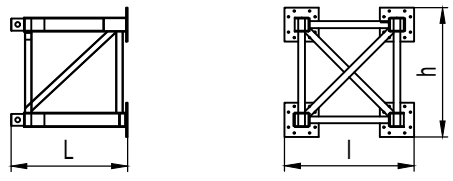
When using subtract 1.1t from the loads

$$\text{Cable icon} = \text{Cable icon} - 1.1t$$



外形尺寸重量表 Dimensions weights

| 塔机回转部分 Slewing            |   | L(m)  | l(m)  | h(m) | Kg    |       |
|---------------------------|---|-------|-------|------|-------|-------|
| 平衡臂根节<br>Counter-jib foot |    | 12.5  | 2.1   | 4.24 | 22510 |       |
| 平衡臂端节<br>Counter-jib nose |    | 12.46 | 3.54  | 6.45 | 18726 |       |
| 塔头<br>Cat-head            |    | 4.74  | 3.8   | 6.2  | 21413 |       |
| 回转机构<br>Slewing mechanism |   | 8.67  | 4.74  | 6.0  | 42017 |       |
| 起重臂节<br>Jib section       |  | 1     | 12.4  | 2.1  | 3.48  | 26777 |
| 起重臂节<br>Jib section       |  | 2     | 12.3  | 2.03 | 3.32  | 19535 |
|                           |   | 3     | 12.3  | 1.99 | 3.27  | 13319 |
| 起重臂节<br>Jib section       |  | 4     | 8.46  | 1.84 | 2.77  | 9503  |
| 起重臂节<br>Jib section       |  | 5     | 12.41 | 1.66 | 2.72  | 9673  |
|                           |   | 6     | 12.38 | 1.63 | 2.67  | 6296  |
| 起重臂节<br>Jib section       |  | 7     | 12.38 | 1.63 | 2.67  | 5432  |
| 起重臂节<br>Jib section       |  | 8     | 2.45  | 1.63 | 3.96  | 1065  |

|                            |  |       |      |      |       |
|----------------------------|--|-------|------|------|-------|
| 变幅小车<br>Trolley            |    | 6.2   | 1.93 | 3.8  | 5178  |
| 塔机回转部分 Slewing             |  | L(m)  | l(m) | h(m) | Kg    |
| 吊钩滑轮组<br>Hook assembly     |    | 1     | 0.5  | 2.42 | 1661  |
| 顶升装置 Telescoping equipment |  | L(m)  | l(m) | h(m) | Kg    |
| 顶升套架<br>Telescopic cage    |    | 12.32 | 4.83 | 5.3  | 30755 |
| 塔身部分 Mast                  |  | L(m)  | l(m) | h(m) | Kg    |
| 标准节<br>Standard mast       |   | 6.33  | 3.2  | 3.4  | 13827 |
| 加强节<br>Reinforcing mast    |  | 6.33  | 3.2  | 3.4  | 14634 |
| 底部 Base                    |  | L(m)  | l(m) | h(m) | Kg    |
| 固定支脚<br>Fixing angles      |  | 3.43  | 3.8  | 3.8  | 9885  |

| 机构特性<br>Mechanisms specification |  |            |       |        |        |        |        |        |       | Kw           |     |
|----------------------------------|--|------------|-------|--------|--------|--------|--------|--------|-------|--------------|-----|
| 起升<br>Hoisting                   |  | 160LVF144B | m/min | 0-28.2 | 0-21.1 | 0-14.1 | 0-18.8 | 0-14.1 | 0-9.4 | 850<br>>850★ | 160 |
|                                  |  | ★          | t     | 13.32  | 26.65  | 53.3   | 20     | 40     | 80    |              |     |
| 变幅<br>Trolleying                 |  | 30JXF50    | m/min | 0-25.5 |        |        |        |        |       | 30           |     |
| 回转<br>Slewing                    |  | 15SVF      | r/min | 0-0.37 |        |        |        |        |       | 15x4         |     |
| 行走<br>Travelling                 |  |            |       |        |        |        |        |        |       |              |     |

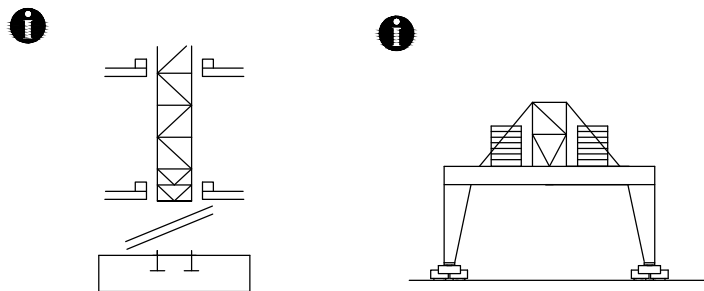
|          |                          |                       |
|----------|--------------------------|-----------------------|
| 电源       | Power Supply             | 380V 50Hz / 440V 60Hz |
| KVA 供电容量 | Necessary Electric Power | 300KVA                |

- ★ 同我们协商, Consult us
- ★ 标准配置, Standard configuration

平衡臂配重  
Counter-jib ballast

| 78m | 24.2m | 124   |
|-----|-------|-------|
| 70m | 24.2m | 105.5 |
| 66m | 24.2m | 117   |
| 58m | 24.2m | 98    |
| 54m | 24.2m | 101.5 |
| 46m | 24.2m | 82.5  |

可变换的其它安装方式  
Mounting possibilities



同我们协商  
Consult us

|                   |   |                 |  |
|-------------------|---|-----------------|--|
| F 反力<br>Reactions | <ul style="list-style-type: none"> <li>● 工作状态 In service</li> <li>■ 非工作状态 Out of service</li> </ul> | 自重<br>Self-load | 不带载荷及配重, 最大臂长及标准高度时的自重<br>Without load and counter-weight with longest jib and standard height |
|-------------------|---|-----------------|--|