

SWAN



Product Information

SWAN is a member of the horticulture product line from Sanan's product release for 2020.

This product provides an efficient and convenient solution for growing cannabis at home.

This is a lightweight product, easy to move and install.

Features

- ✓ Ultra light weight design, close to the weight of a laptop.
- ✓ Fin-type interlock heat sink, light-weight and high heat transfer efficiency.
- ✓ Dimmer inside (Optional).
- ✓ IP67(Driver) and Wet Location(LEDs)
- ✓ Easy to mounting



Life time

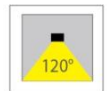


50000H

5 YEARS



Beam angle



120°

Dimmer inside



IP level



IP54

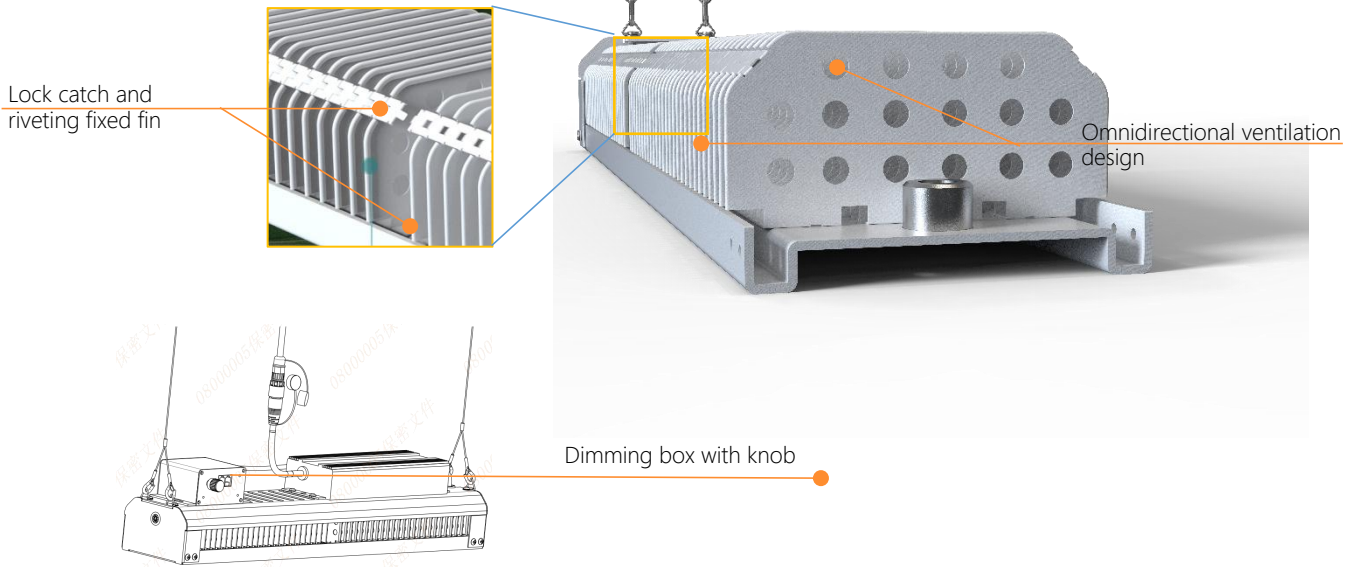
Material



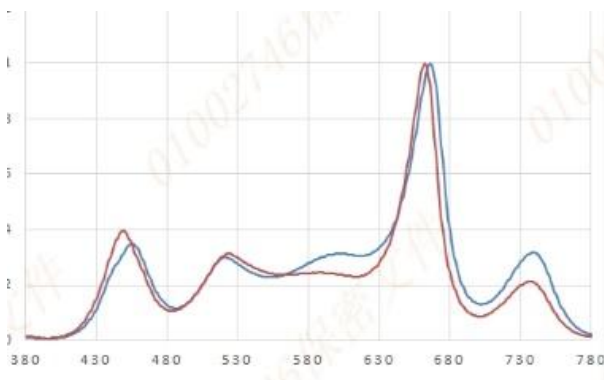
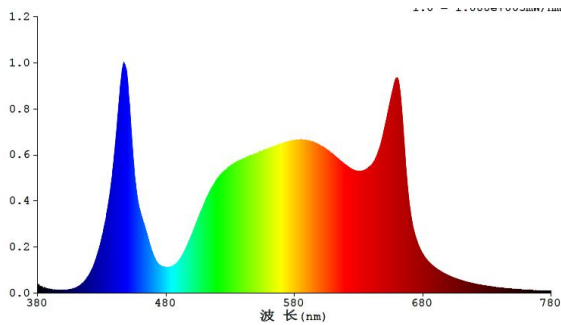
Fin-type interlock heat sink



Exploded Drawing



Spectra



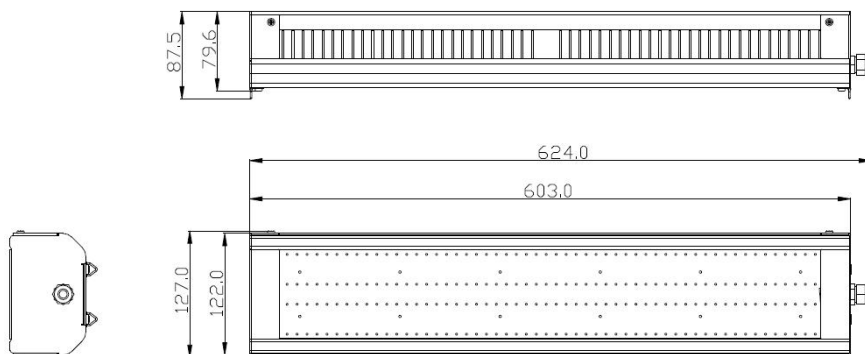
Parameter

Technical specifications(Ta=25°C)

Model		
Spectrum	SP	CS
Light Output PPF	800umol/s	764umol/s
Efficacy@120V AC	2.5umol/J	2.4umol/J
Input Power@120V AC	320 W	320W
Weight	3.79kg	
Size	582.8*127.6*79.8mm	
AC Input Voltage	100-240V/277V, 50/60Hz	
Dimming	No-dim	0-10V dimmable
Power Factor	≥0.95	
THD	≤10%	
Beam angle	120°	
Ambient Temperature	-20°C~40°C	
IP Rating	IP54	
Average Lifespan Ta25°C	LM80 > 50,000 hours	
Warranty	5 years	
Standard	CE,ROHS	

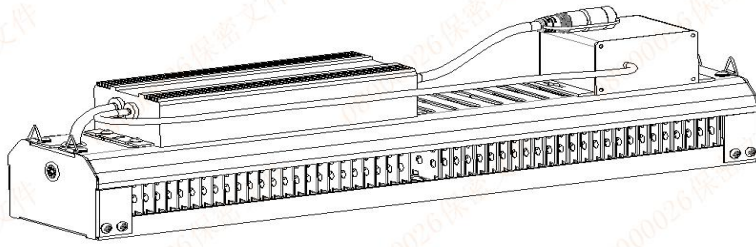
- *Note : 1) PPF tolerance ±5%.
 2) The above data are tested by Sanan instruments.
 3) The spectrum can be customized.

Product Dimension



Item	Watts @Max	Dimension(L*W*H):mm		
	320W	582.8	127.6	79.8

Parts List



- A: G4-fixture dimmable
- B: Stainless wire (x2)
- C: Power input cable
- D: Connecting cable

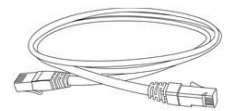
A



B



C



D

Caution

- Avoid direct eye exposure to the light source while it is on.
- Account for small parts and recycle or dispose of packing material properly.

Wiring diagram

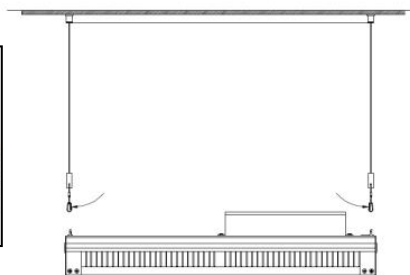
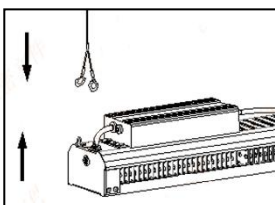
Cautions:

Before installation, be sure to cut off electricity to avoid electric shock. This is one end wiring LED grow light light with build-in driver. Powered by the voltage labeled on the LED grow light , no need to add other drivers.

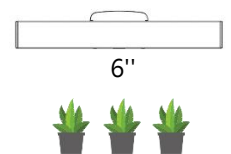
Operation Notes :

For use with a generator, line conditioning equipment to control input voltage must be used in order to avoid damage to fixture. Product is not designed to use with residential power strip. Failure to observe these warnings will result in void of warranty. Contact us for more information. Clean with a damp microfiber cloth.

Lamp adjustment



Mounting Height



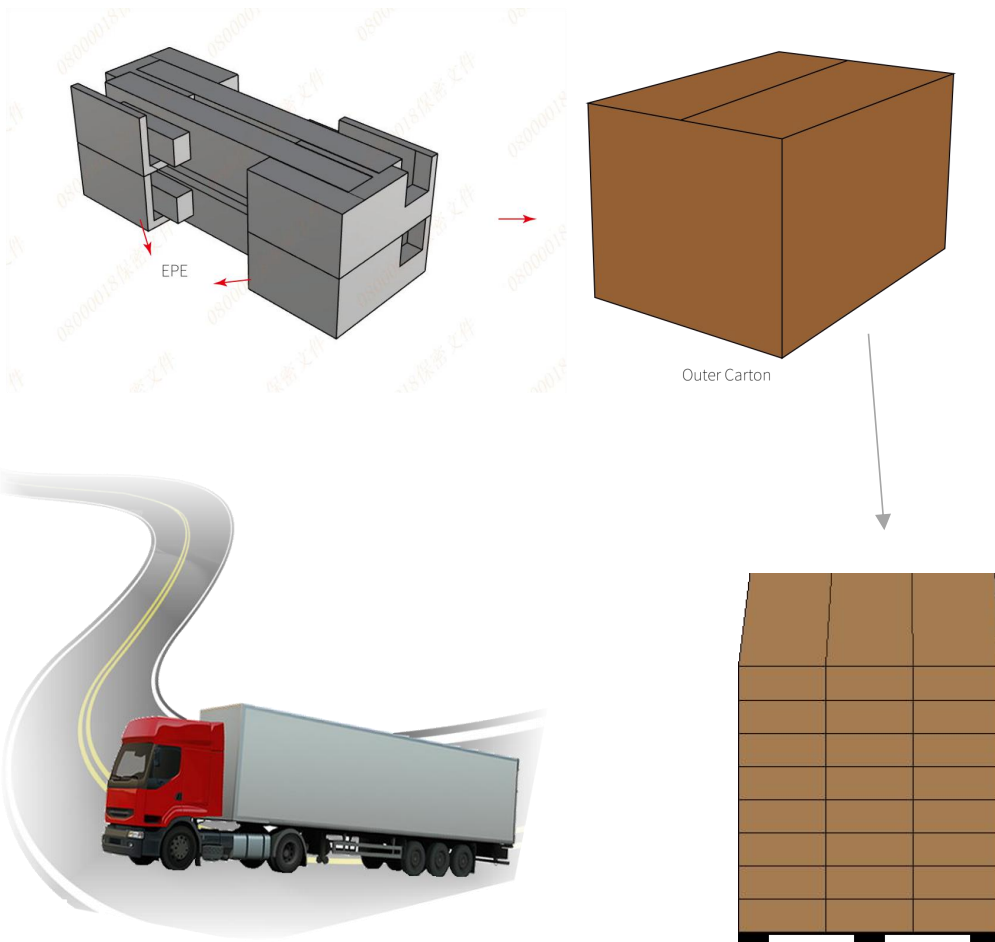
*Mount the light bars at least 6" from the top of your canopy for optimal light efficiency and uniformity. Always allow for adequate ventilation of fixture. The rope ratchet kit provided with luminous.

APPLICATIONS:

Flower/cannabis cultivation
Green-house



Package



Part No.	Q' ty /CTN	Outer Carton Size(cm)	N.W./kg	G.W./kg
N320L2-X-KXX-XX	4	67.6*32.4*32.6	13.91kg	15.55kg

Remark: the data is estimated and just for reference