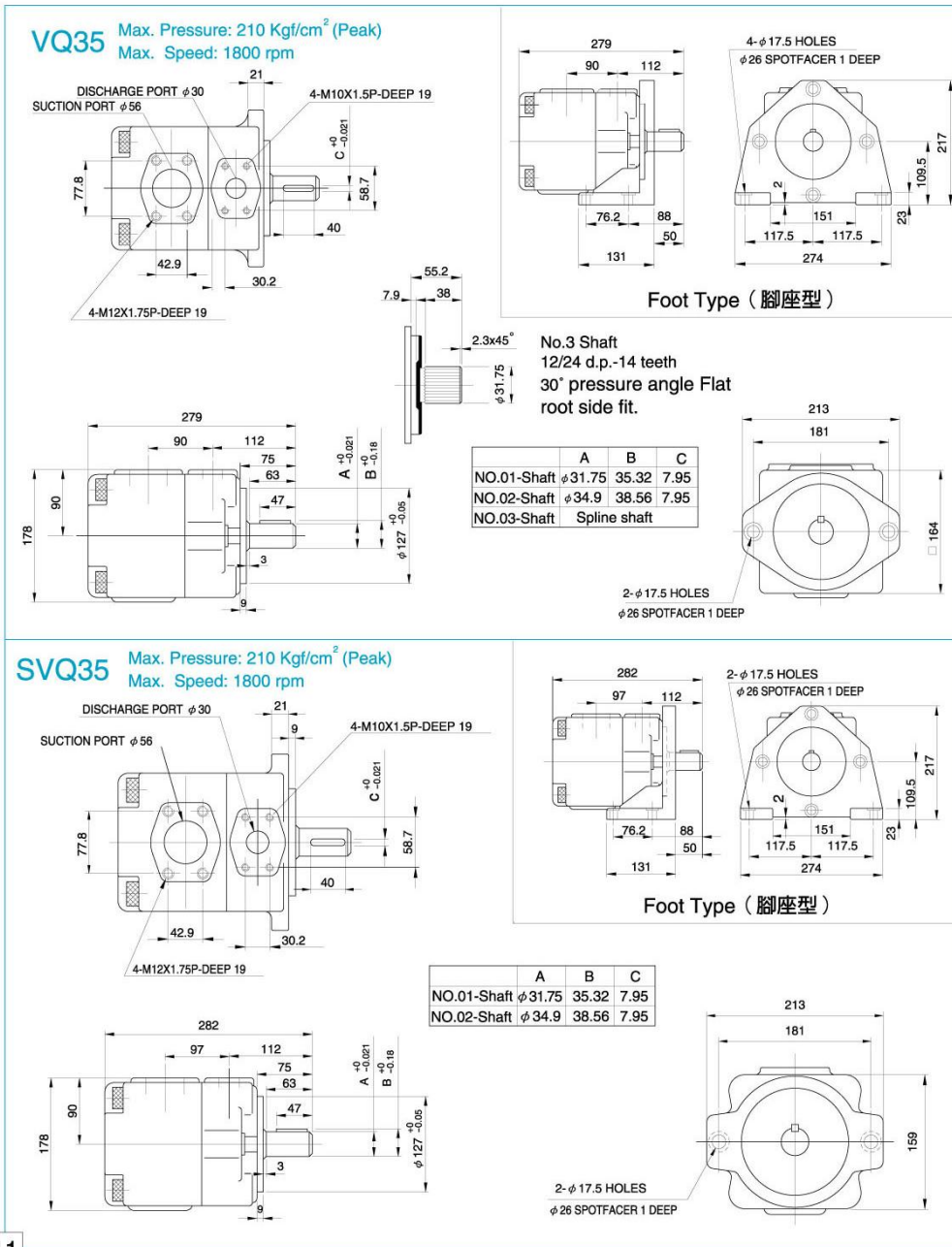


## VQ Series Single Pump Dimensional Drawing VQ系列單泵外型尺寸圖



## Typical Performance Characteristics (VQ Series)

### VQ系列流量與壓力特性表

