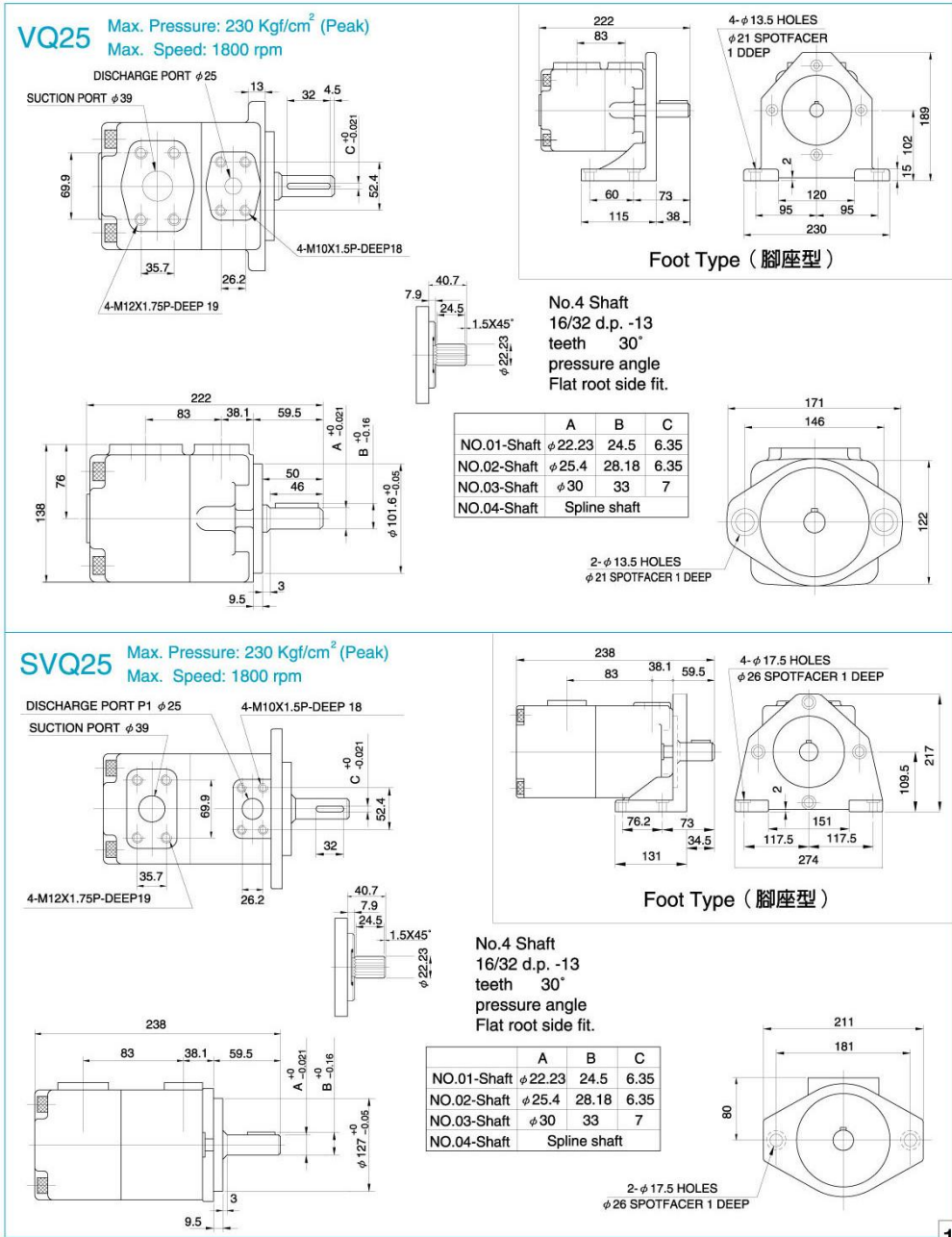
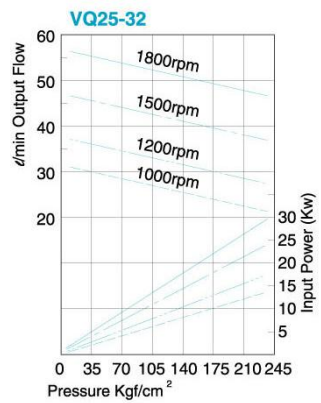
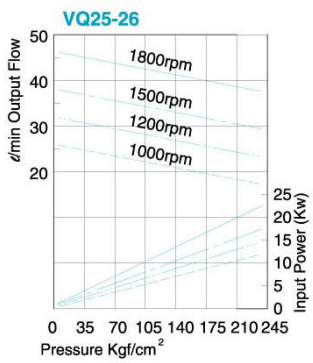
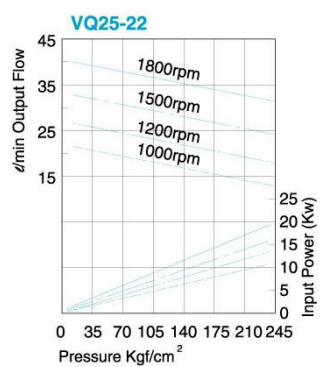
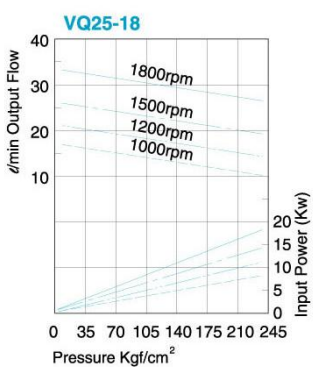
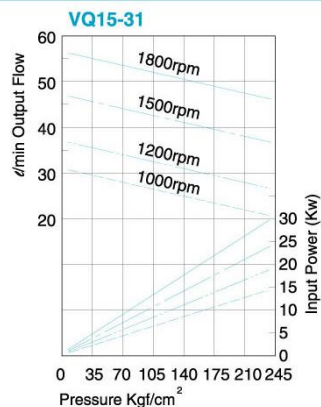
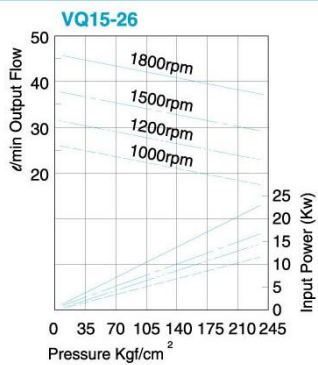


VQ Series Single Pump Dimensional Drawing VQ系列單泵外型尺寸圖



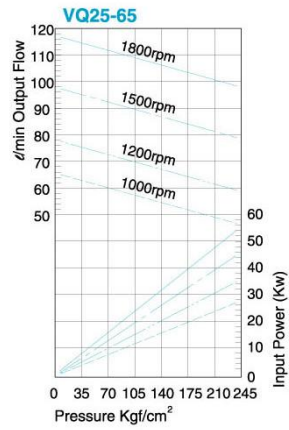
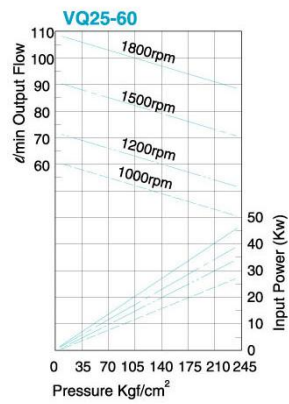
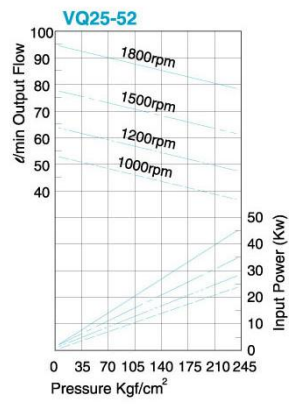
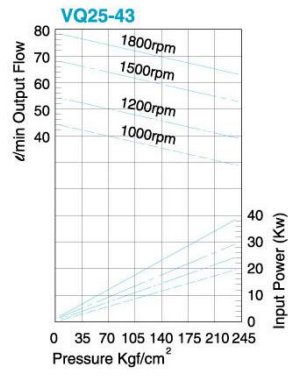
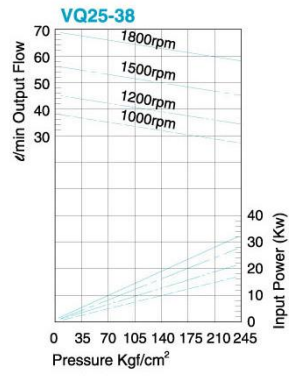
Typical Performance Characteristics (VQ Series)

VQ系列流量與壓力特性表

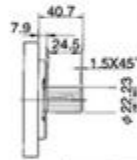
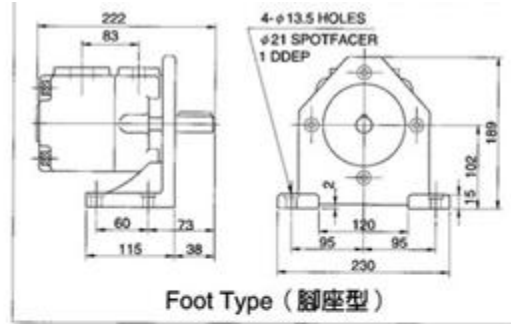
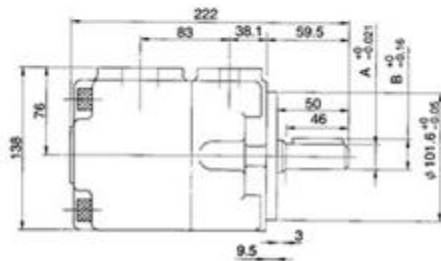
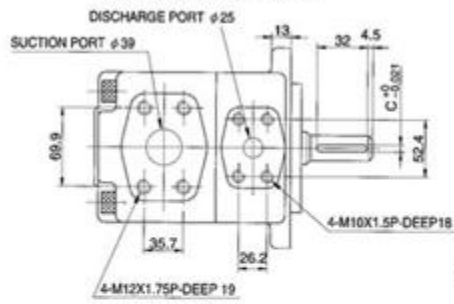


Typical Performance Characteristics (VQ Series)

VQ系列流量與壓力特性表



VQ25 Max. Pressure: 230 Kg/cm² (Peak)
 Max. Speed: 1800 rpm



No.4 Shaft
 16/32 d.p. -13
 teeth 30°
 pressure angle
 Flat root side fit.

	A	B	C
NO.01-Shaft	$\phi 22.23$	24.5	6.35
NO.02-Shaft	$\phi 25.4$	28.18	6.35
NO.03-Shaft	$\phi 30$	33	7
NO.04-Shaft	Spline shaft		

