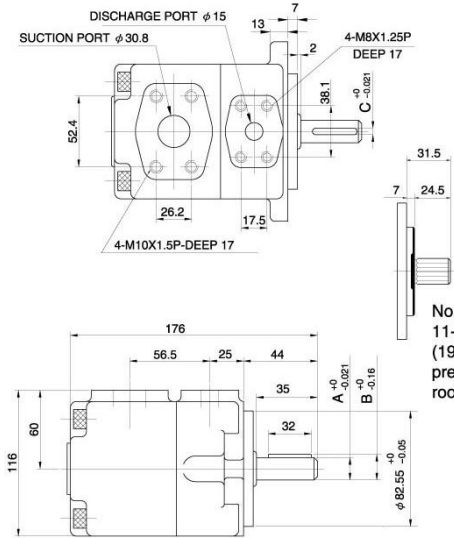
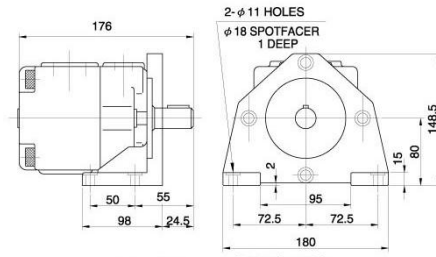


VQ Series Single Pump Dimensional Drawing VQ系列單泵外型尺寸圖

VQ15 Max. Pressure: 240 Kg/cm² (Peak)
Max. Speed: 1800 rpm

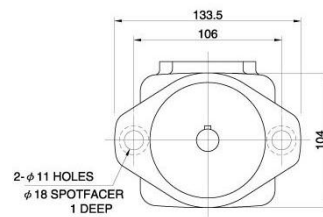


No.3 Shaft
11-Teeth Spline .75
(19.05) DIA 30°
pressure angle Flat
root side fit

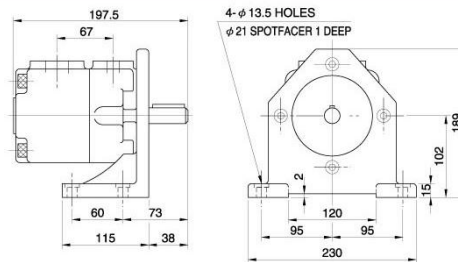
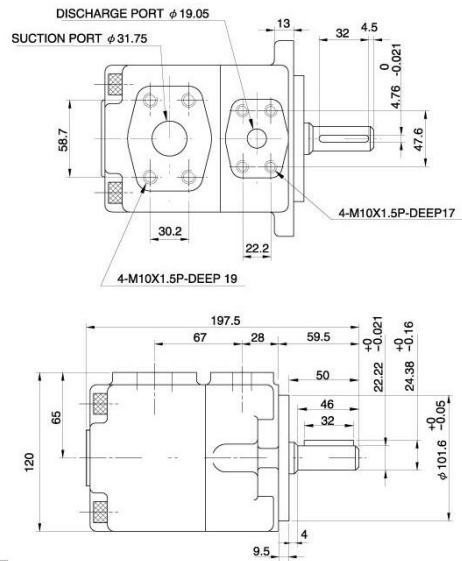


Foot Type (腳座型)

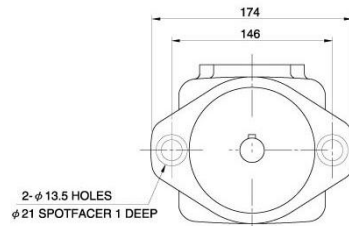
| | A | B | C |
|-------------|--------------|-------|------|
| NO.01-Shaft | $\phi 19.05$ | 21.24 | 4.76 |
| NO.03-Shaft | Spline shaft | | |



VQ20 Max. Pressure: 230 Kg/cm² (Peak)
Max. Speed: 1800 rpm



Foot Type (腳座型)



VQ20 Max. Pressure: 230 Kgf/cm² (Peak)
 Max. Speed: 1800 rpm

