

油压电磁比例式压力&流量复合阀

EFBG-03-125-C系列



HNC

液壓之家

How to order

01

型号说明 了解型号含义

Model notes model meaning

EFBG -	03-	125 -	C -	※
HNC 油壓電磁比例式複合閥 HNC Oil Pressure Electric Magnetic Proportional Compound Valve	閥門口徑 valve caliber	最大通過流量 Max. Flow passed	C:140 kgf / cm ² H:210 kgf / cm ²	設計號碼 Desing No.

註：

- (1) 回油管盡量減少阻力，單獨使用一條管路直接插入油箱油面以下。
- (2) 以上表列是配合本公司生產HNC-4075, HNC-1085，標準電子控制器及125 L/min油泵，單一閥門測試結果。

Note:

- (1) The resistance in the return pipe should be reduced by using one piping seperately and insert directly inside the oil tank.

(2) The left chart is comply with our standard electronic controlier HNC-4075, HNC-1085 , standard electronic controller 125 L/min, single valve test result.

Specifications

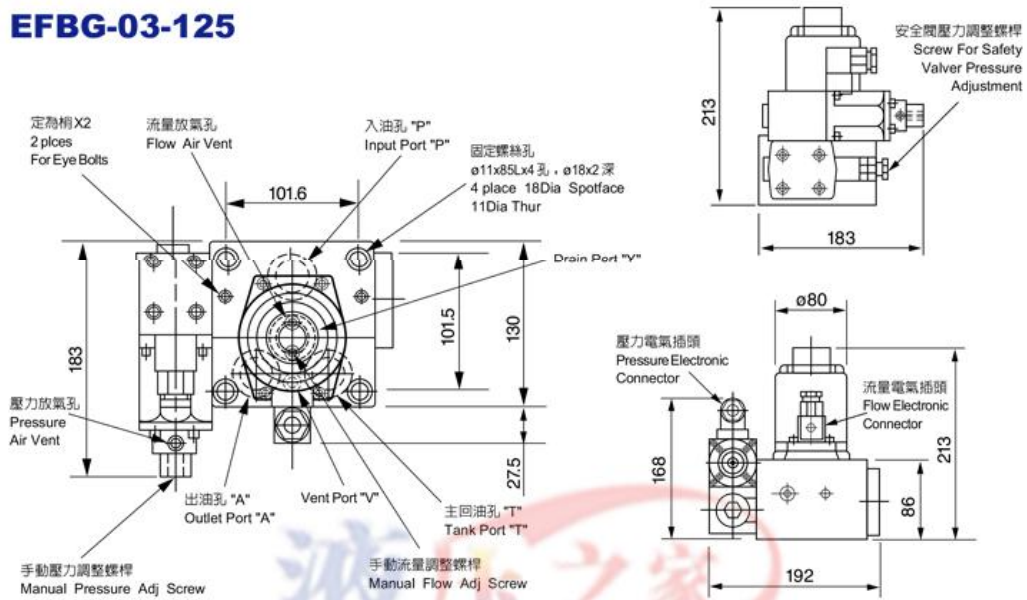
02

商品规格 品质有保证

Commodity specifications and quality guaranteed

說明 Description		型號 Mode No.	EFBG - 03	
最高使用壓力 Highest Operating pressure		kgf/cm ²	210	
最大通過流量 Max. Flow		L/min	125	
流量系統 Flowing System	流量調整範圍 Flow Adjusting Range	L/min	1~125	
	閥門內部阻抗 (A → B) Valve Internal Resistance	kgf/cm ²	5	
	定額電流 Rated Current	mA	750	
	線圈阻抗 Coil Resistance	Ω	40	
	磁滯 Magnetic Hysteresis	%	< 7	
	再現性 Repeatability	%	< 1	
壓力系統 Pressure System	壓力調整範圍 Pressure Adjusting Range	kgf/cm ²	C	140
			H	210
	容許背壓 Allowable Back Pressure	kgf/cm ²	註：(1)	
	定額電流 Rated Current	mA	C	750
			H	700
	線圈阻抗 Coil Resistance	Ω	10	
磁滯 Magnetic Hysteresis	%	< 3		
		< 1		
再現性 Repeatability	%	< 1		
重量 Weight		kg	18	

EFBG-03-125



EFBG-03-125

