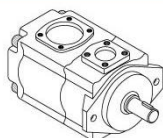


## DVQ Series Single Pump Ordering Code DVQ 系列產品訂購指引



**DVQ20**  
Weight : Flange Type 11 Kg  
Foot Type 13.5 Kg

**DVQ25**  
Weight : Flange Type 18 Kg  
Foot Type 23 Kg

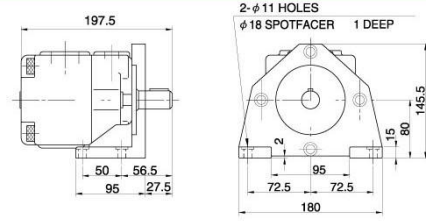
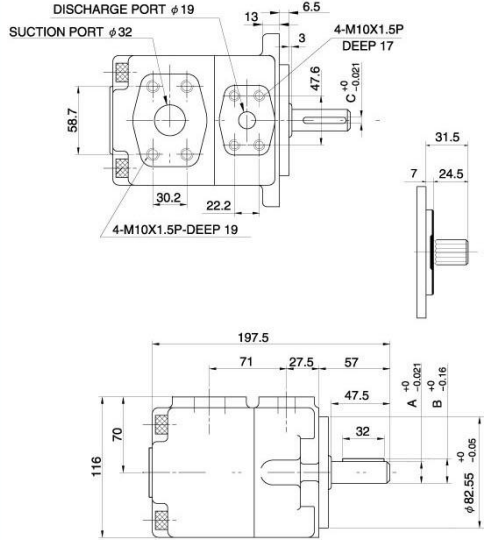
### ORDERING CODE

Model number 型號	-26 Displacement c.c/rev 吐出量	-F Mounting Type 安裝方式	-R Rotation 轉向	A Discharge Position 出口位置	A Sution Position 進口位置	01 Shaf Type 心軸種類
DVQ20	6,8,11,14 17,19,23 26,32,34 38	F: Flange Type 法蘭型 L: Foot Type 腳座型	View from Shaft End 從心軸方向看 R: Clockwise 順時針	A: Upward (Normal) 向上 B: Downward 向下	A: Upward (Normal) 向上 B: Downward 向下	01 Normal
DVQ25	18,22,26 32,38,43 47,52,60 65,75		L: Anti- Clockwise 反時針	R: On Right Hand 右邊 L: On Left Hand 左邊	R: On Right Hand 右邊 L: On Left Hand 左邊	

Model 型號		Deliver Flow (ℓ/min) at no-load pressure 無負壓的傳輸流量				Running Speed (rpm) 轉速		Max Pressure (Kg/cm <sup>2</sup> ) 最高壓力	
		Running Speed (rpm) 轉速				Max 最大	Min 最小	最高壓力	
		1000	1200	1500	1800			Cont.	Peak.
DVQ20	06	6.2	7.4	9.3	11.2	1800	800	210	260
	08	8.1	9.7	12.1	14.6	1800	800	210	260
	11	11.2	13.4	13.4	20.1	1800	800	210	260
	14	14.3	17.1	21.5	25.7	1800	800	210	260
	17	17.1	20.5	25.6	30.7	1800	800	210	260
	19	19.2	23.0	28.8	34.5	1800	800	210	260
	23	23.3	27.9	34.9	41.9	1800	800	210	260
	26	26.1	31.3	39.1	46.9	1800	800	210	260
	32	32.1	38.3	47.6	—	1500	800	175	240
	34	34.1	40.8	50.4	—	1500	800	175	240
38	38.1	45.9	—	—	1200	800	175	240	
DVQ25	18	18.1	21.7	27.2	32.6	1800	800	210	260
	22	22.1	26.5	33.3	39.8	1800	800	210	260
	26	26.2	31.4	39.3	47.1	1800	800	210	260
	32	32.1	38.5	48.1	57.7	1800	800	210	260
	38	38.2	45.8	57.3	68.7	1800	800	210	260
	43	43.2	51.8	64.8	77.7	1800	800	210	260
	47	47.1	56.5	70.0	85.0	1800	800	210	260
	52	52.3	62.7	78.4	94.1	1800	800	210	260
	60	60.2	72.7	90.3	108.3	1800	800	210	260
	65	65.3	78.3	97.9	117.5	1800	800	210	230
75	75.0	90.0	112.5	—	1500	800	210	230	

## DVQ Series Single Pump Dimensional Drawing DVQ系列單泵外型尺寸圖

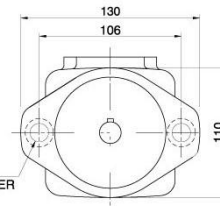
**DVQ20** Max. Pressure: 260 Kg/cm<sup>2</sup> (Peak)  
Max. Speed: 1800 rpm



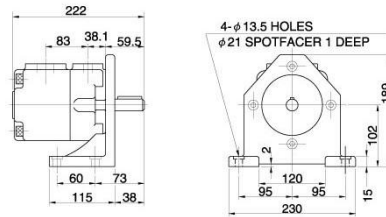
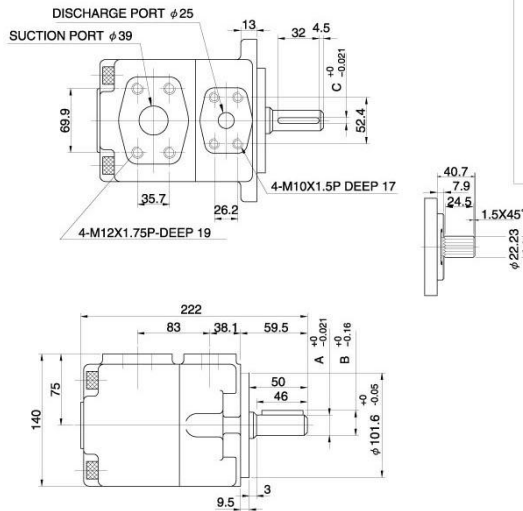
Foot Type (腳座型)

No.4 Shaft  
11-Teeth Spline 0.75  
(19.05) DIA 30°  
pressure angle Flat  
root side fit

	A	B	C
NO.01-Shaft $\phi 19.05$	21.24	4.76	
NO.02-Shaft $\phi 22.23$	24.5	4.76	
NO.03-Shaft $\phi 22.23$	25.01	6.35	
NO.04-Shaft	Spline shaft		



**DVQ25** Max. Pressure: 260 Kg/cm<sup>2</sup> (Peak)  
Max. Speed: 1800 rpm



Foot Type (腳座型)

No.4 Shaft  
16/32 d.p. -13  
teeth 30°  
pressure angle Flat  
root side fit.

	A	B	C
NO.01-Shaft $\phi 22.23$	24.5	6.35	
NO.02-Shaft $\phi 25.4$	28.18	6.35	
NO.03-Shaft $\phi 30.0$	33.0	7.0	
NO.04-Shaft	Spline shaft		

