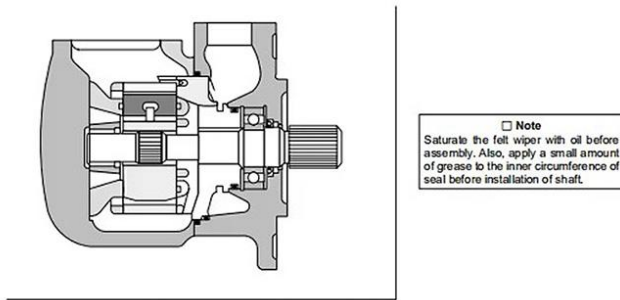
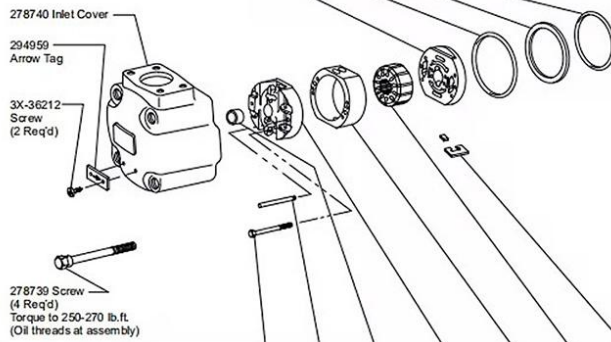


Part Numbers

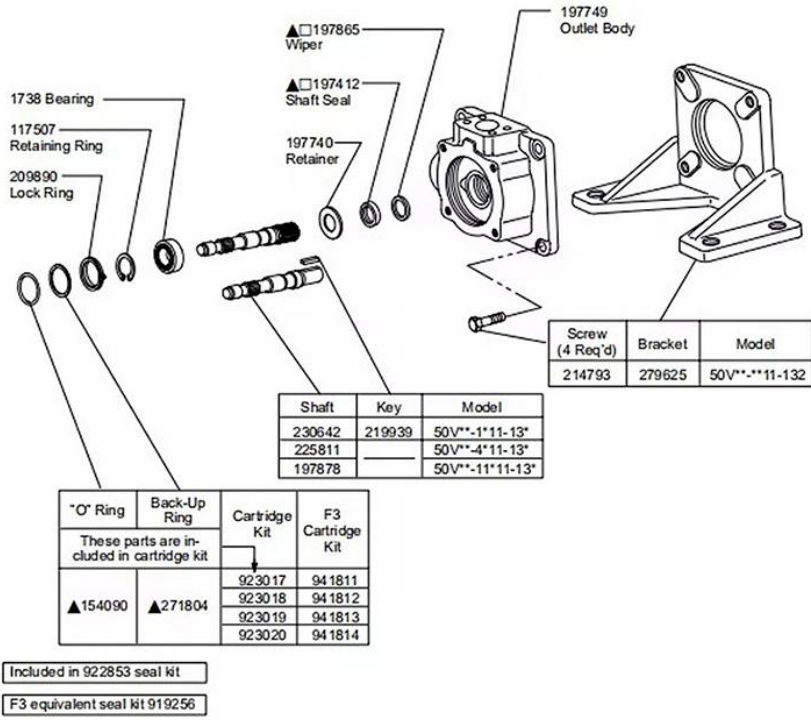
FluiDyne Part Number	Description
WF230642	50V Shaft #1 Straight Keyed
WF197878	50V Shaft #11 Splined
V922853	50V Seal Kit Buna 11 Design
V919256	50V Seal Kit Viton 11 Design
WF923017	50V72 Cart Kit Buna 11 Design
WF923018	50V85 Cart Kit Buna 11 Design
WF923019	50V100 Cart Kit Buna 11 Design
WF923020	50V109 Cart Kit Buna 11 Design



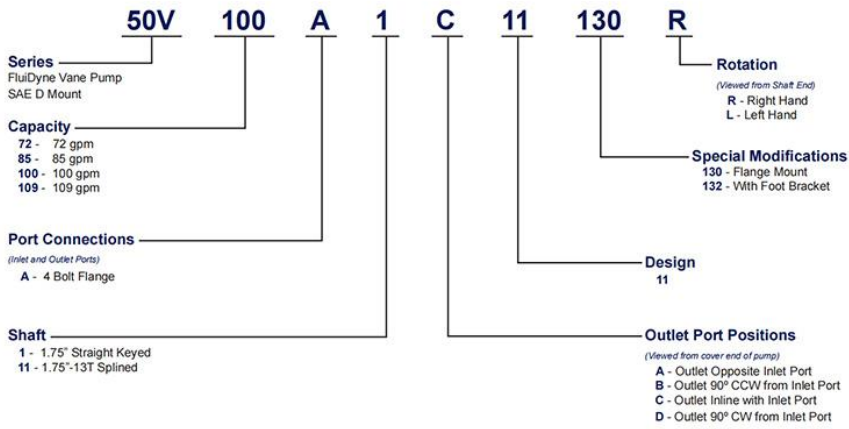
Model	Pressure Plate	"O" Ring	Back-up Ring	"O" Ring	Cartridge Kit	F3 Cartridge Kit
These Parts are included in Cartridge Kit						
50V 72A-11-13*					923017	941811
50V 85A-11-13*	278736	▲154113	▲271826	▲154111	923018	941812
50V 100A-11-13*					923019	941813
50V 109A-11-13*					923020	941814



Model	F3 Cartridge Kit	Cartridge Kit	Screw (2 Req'd)	Pin (2 Req'd)	Bushing	Wear Plate S/A (Incl. Bushing)	Ring	Rotor	Vane Kit (10 Vanes 10 Inserts)
These Parts are included in Cartridge Kit									
50V 72A-11-13*	941811	923017				278737	258040		
50V 85A-11-13*	941812	923018	298011	225800	243585		236552	278738	922613
50V 100A-11-13*	941813	923019					214295		
50V 109A-11-13*	941814	923020					236506		



Model Code Breakdown



Feature and Benefits:

1. Low noise characteristics
2. High operating pressure capabilities
3. Inlet and outlet ports that can be oriented in four different positions
4. Tested and documented



Each pump has 12 month warranty, so if you have any problems, we have a s