

# 固定容量雙連式輪葉邦浦

## 150T+\*系列

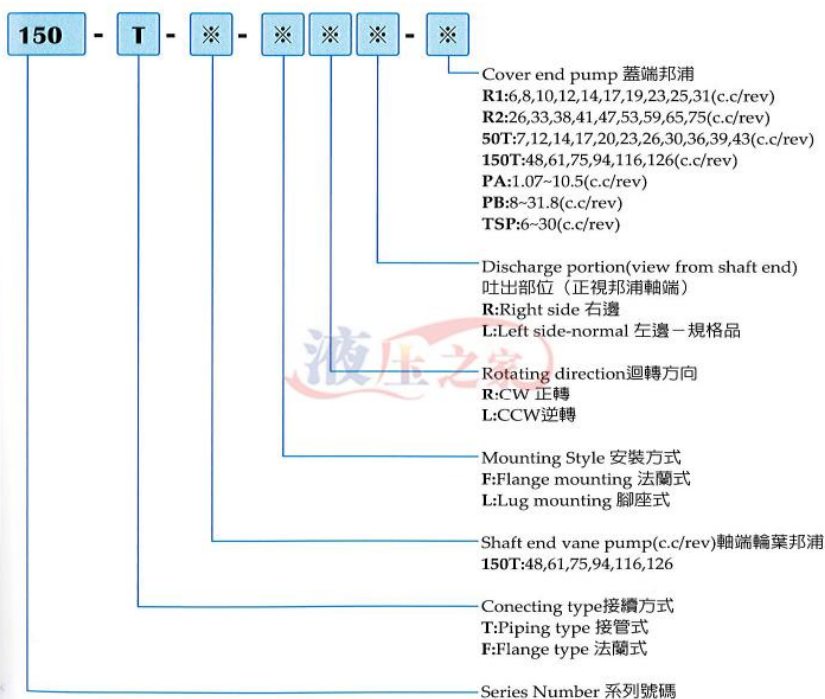


How to order

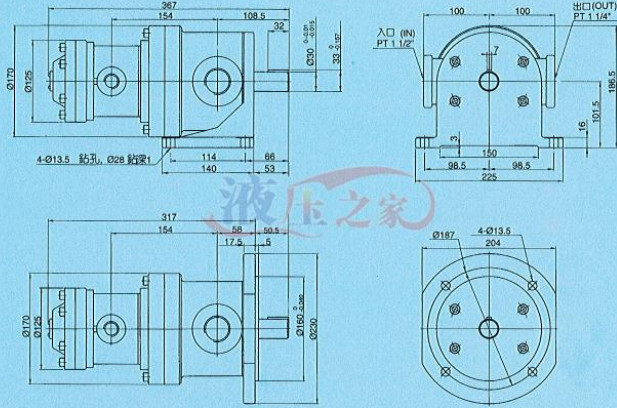
01

### 型号说明 了解型号含义

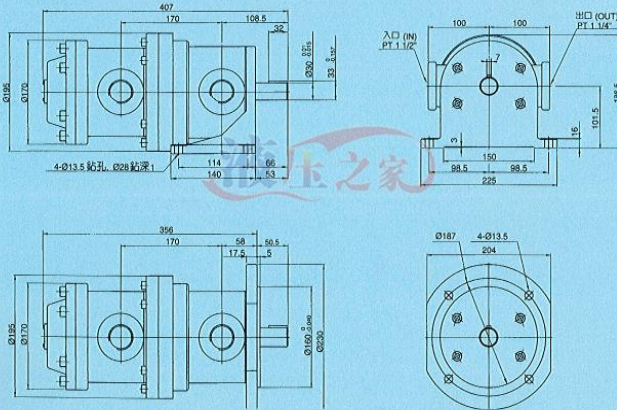
Model notes model meaning



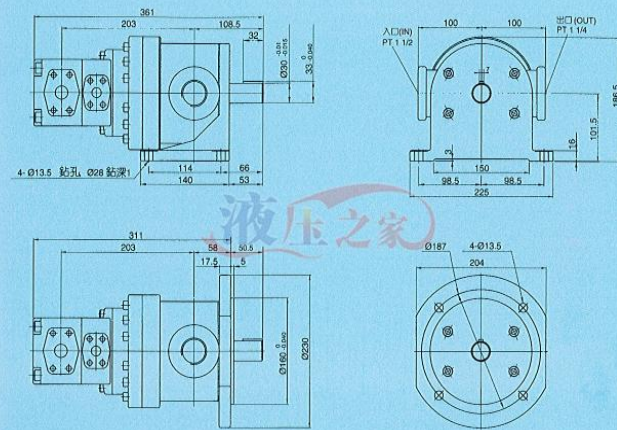
150T-※+50T-※



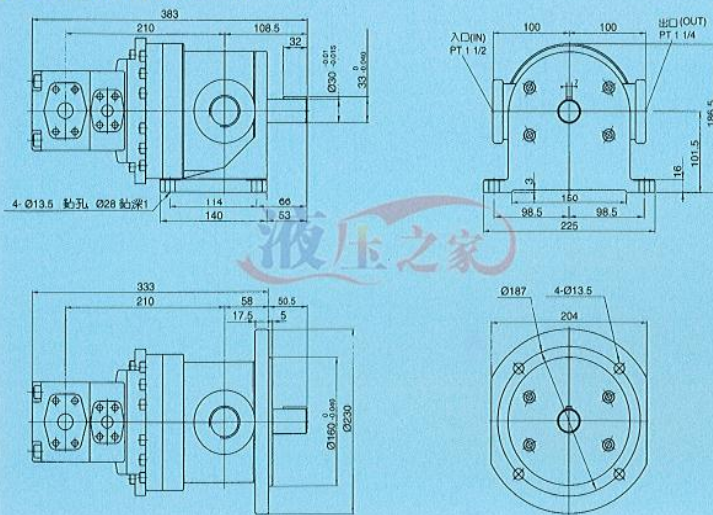
150T-※+150T-※



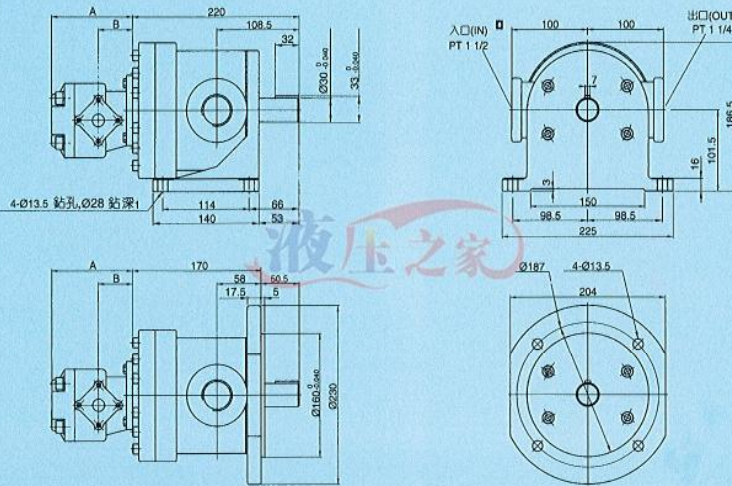
150T-※+PV2R1-※



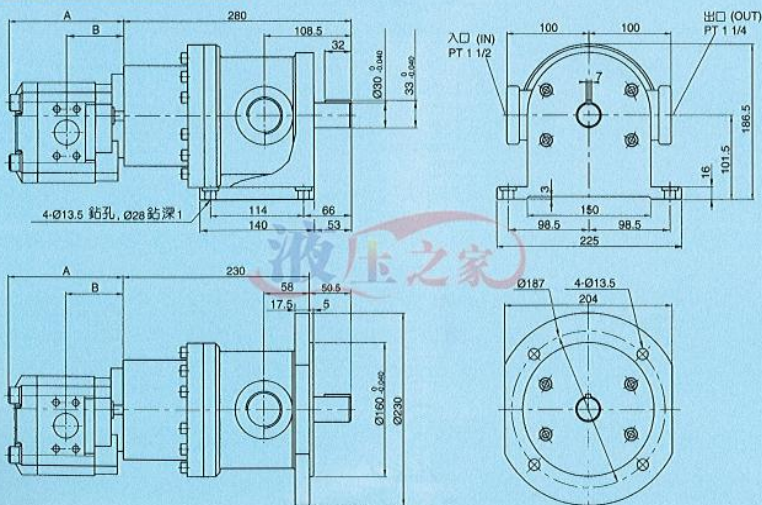
150T-※+PV2R2-※



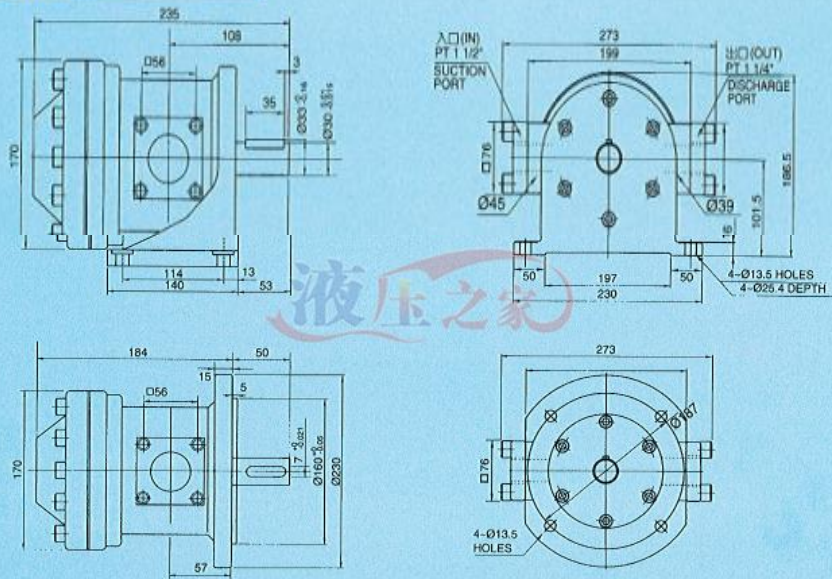
150T-※+PA-※



150T-※+PB-※



# 150F



# 150F-※+150F-※

