

COPYRIGHT

企业保留更改产品设计与规格的权利、届时恕不另行通知。所有资料经过小心核对、以求准确，如果有任何印刷错漏或在制作中可能产生之误差，本公司不承担因此产生之后果。印刷过程可能令资料内的产品跟实物有轻微分别，选择产品均以实物为准。

Preserves the right to change the product design and specifications without notice All information is carefully checked for accuracy. We shall not be sccountable for damages caused by any possible faults or errors in the printing and publishing process You choice of product shall be made gainst the material object as the productpicture may have slight difference with the material object the printing process.

想象力设计摄影 13727278831

AGODA® 亚高达®
PROFESSIONAL FURNITURE
HARDWARE MANUFACTURER
专业家具五金制造商



雅高达五金制品有限公司
YAGAODA HARDWARE PRODUCTS CO.,LTD

电话/TEL:+86 138 8888 8888

邮箱/E-mail:yagaoda@qq.com

地址:广东省肇庆市高要区金利镇

Address / add: Jinli Town, Gaoyao District, Zhaoqing City, Guangdong Province

AGODA® 亚高达®



AGODA
HARDWARE 雅高达五金

PROFESSIONAL FURNITURE
HARDWARE MANUFACTURER

专业家具五金制造商

YAGAODA HARDWARE PRODUCTS CO.,LTD
雅高达五金制品有限公司



PROFESSIONAL FURNITURE
HARDWARE MANUFACTURER

专业家具五金制造商

YAGAODA HARDWARE PRODUCTS CO.,LTD
雅高达五金制品有限公司

COMP ANYPROFILE

企业简介

雅高达五金制品有限公司是一家专业生产家居五金等产品专业生产制造商。拥有先进、高效、严谨的管理模式，是一家集研发、生产、营销为一体的五金企业。

五金依靠先进的生产技术和强大的研发实力，在使用功能上不断创新，导入极具现代感的外型设计，使产品具有极佳的实用性,靓丽的外形使之成为生活中的一大亮点。

雅高达品质、服务、诚信是一贯坚持和宗旨，坚定奉行“质量为企业生存之本”的理念。积极的参与，理性的责任感，是企业赖以生存之本的原动力□以科学为手段，以任性为依据，以艺术为品味，追求产品与环境的融合，是雅高达品牌的魅力所在;精益求精，与时俱进，造福人群，是企业为之努力不懈的目标。

立足现在，展望未来，雅高达将不断前进，，我们热烈欢迎国外客商与我们携手共创未来!

Yagoda Hardware Products Co., Ltd. is a professional manufacturer of household hardware and other products. With advanced, efficient and rigorous management mode, it is A hardware enterprise integrating R & D, production and marketing.

Relying on advanced production technology and strong R & D strength, hardware continues to innovate in use functions, and introduces highly modern appearance design to make the products extremely attractive Good practicality and beautiful appearance make it a highlight in life.

Yagaoda has always adhered to the principle of quality, service and integrity, and firmly pursues the concept of "quality is the foundation of enterprise survival". Active participation and rational responsibility Sense is the driving force for the survival of enterprises; taking science as the means, willfulness as the basis, art as the taste, and pursuing the integration of products and environment is Yagoda The charm of the brand; Keeping improving, keeping pace with the times and benefiting the people are the unremitting goal of the enterprise.

Based on the present and looking forward to the future, accorrdion will continue to move forward. We warmly we lcome foreign merchants to join hands with us to create the future!



PERFECT QUALITY ASSURANCE

完美的品质保障

COMPREHENSIVE SALES CONSULTING

全面的销售咨询

PERFECT AFTER-SALES SERVICE

完美的售后服务

No. YGD-001

百叶窗支架 LOUVRE WINDOW FRYIMES



使用范围：酒店、写字楼、商铺、公寓、会所等场所
 Scope of use: hotels, office buildings, shops, apartments, clubs and other places

No. YGD-003

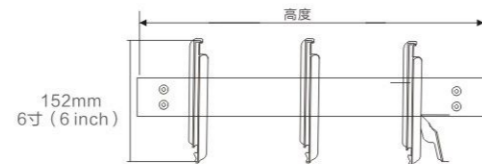
百叶窗支架 LOUVRE WINDOW FRYIMES



使用范围：酒店、写字楼、商铺、公寓、会所等场所
 Scope of use: hotels, office buildings, shops, apartments, clubs and other places

No. YGD-002

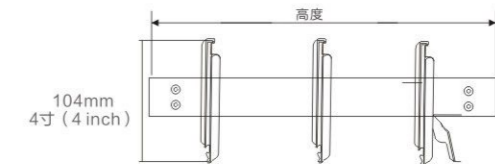
百叶窗支架 LOUVRE WINDOW FRYIMES



6寸百叶窗支架参数 6 inch louvers bracket parameters		页码 Page number	执手数量 Number of handles	高度 (mm) height (mm)
边框材质 Border material	铝合金/铁 Aluminum alloy / iron	3	1	44
表面处理 surface treatment	电泳/喷粉 Electrophoresis / powder spraying	4	1	58
边框颜色 Border color	香槟色/原色 Champagne / Primary	5	1	72
边框厚度 Border thickness	1.0mm	6	2	86
拉杆材质 Pull rod material	铁 iron	7	2	100
拉杆设计 Tie rod design	内置双拉杆 Built in double pull rod	8	2	114
执手材质 Handle material	铁 iron	9	3	128
页夹材质 Folder material	塑料/铝/铁 Plastic / aluminum / iron	10	3	142
页夹尺寸 Folder Size	152mm x 5mm	11	3	156
页夹颜色 Folder color	黑色/白色 Plastic / aluminum / iron	12	3	170

No. YGD-004

百叶窗支架 LOUVRE WINDOW FRYIMES



4寸百叶窗支架参数 4 inch louvers bracket parameters		页码 Page number	执手数量 Number of handles	高度 (mm) height (mm)
边框材质 Border material	铝合金/铁 Aluminum alloy / iron	3	1	287
表面处理 surface treatment	电泳/喷粉 Electrophoresis / powder spraying	4	1	375
边框颜色 Border color	香槟色/原色 Champagne / Primary	5	1	463
边框厚度 Border thickness	1.0mm	6	2	551
拉杆材质 Pull rod material	铁 iron	7	2	640
拉杆设计 Tie rod design	内置双拉杆 Built in double pull rod	8	2	727
执手材质 Handle material	铁 iron	9	3	816
页夹材质 Folder material	塑料/铝/铁 Plastic / aluminum / iron	10	3	904
页夹尺寸 Folder Size	104mm x 5mm	11	3	992
页夹颜色 Folder color	黑色/白色 Plastic / aluminum / iron	12	3	108

No. **YGD-005**
 窗用防坠器
 ANTI FALLING DEVICE FOR WINDOW



产品材质：不锈钢 Material: stainless steel
 产品适用于各式门窗
 The product is suitable for all kinds of doors and windows

No. **YGD-006**
 窗用防坠器
 ANTI FALLING DEVICE FOR WINDOW



产品材质：不锈钢 Material: stainless steel
 产品适用于各式门窗
 The product is suitable for all kinds of doors and windows

No. **YGD-011**
 圆柄大把执手
 BIG HANDLE WITH ROUND HANDLE



产品材质：铝合金 Material: Aluminum Alloy
 注：拔叉有多种长度选择
 Note: there are a variety of length options for the pull fork

No. **YGD-012**
 小二点小座执手（拔钉式）
 SMALL TWO-POINT SMALL SEAT HANDLE (NAIL PULLING TYPE)



产品材质：铝合金 Material: Aluminum Alloy
 注：拔叉有多种长度选择（不分左右）
 Note: there are a variety of length options for the pull fork (regardless of the left and right sides)

No. **YGD-007**
 窗用防坠器
 ANTI FALLING DEVICE FOR WINDOW



产品材质：不锈钢 Material: stainless steel
 产品适用于各式门窗
 The product is suitable for all kinds of doors and windows

No. **YGD-008**
 窗用防坠器
 ANTI FALLING DEVICE FOR WINDOW



产品材质：不锈钢+铝合金 Material: stainless steel, aluminium alloy
 产品适用于各式门窗
 The product is suitable for all kinds of doors and windows

No. **YGD-013**
 方座外开大把执手（拔钉式）
 LARGE HANDLE OUTSIDE THE SQUARE SEAT (NAIL PULLING TYPE)



产品材质：铝合金 Material: Aluminum Alloy
 注：拔叉有多种长度选择（不分左右）
 Note: there are a variety of length options for the pull fork (regardless of the left and right sides)

No. **YGD-014**
 内外开执手（双用）
 INSIDE AND OUTSIDE HANDLE (DUAL USE)



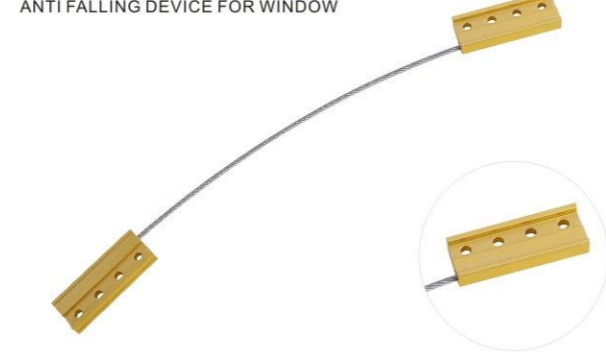
产品材质：铝合金 Material: Aluminum Alloy
 注：拔叉有多种长度选择（不分左右）
 Note: there are a variety of length options for the pull fork (regardless of the left and right sides)

No. **YGD-009**
 窗用防坠器
 ANTI FALLING DEVICE FOR WINDOW



产品材质：不锈钢+铝合金 Material: stainless steel, aluminium alloy
 产品适用于各式门窗
 The product is suitable for all kinds of doors and windows

No. **YGD-010**
 窗用防坠器
 ANTI FALLING DEVICE FOR WINDOW



产品材质：不锈钢+铝合金 Material: stainless steel, aluminium alloy
 产品适用于各式门窗
 The product is suitable for all kinds of doors and windows

No. **YGD-015**
 小二点大座执手
 SMALL TWO POINT BIG SEAT HANDLE



产品材质：铝合金 Material: Aluminum Alloy
 注：拔叉有多种长度选择（不分左右）
 Note: there are a variety of length options for the pull fork (regardless of the left and right sides)

No. **YGD-016**
 小二点执手（外开）
 SMALL TWO-POINT HANDLE (OUTSIDE)



产品材质：铝合金 Material: Aluminum Alloy
 注：拔叉有多种长度选择（不分左右）
 Note: there are a variety of length options for the pull fork (regardless of the left and right sides)

No. YGD-017

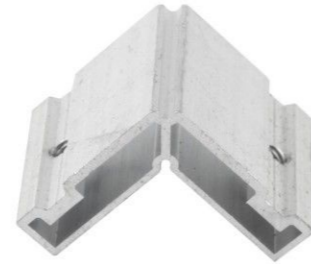
铝角码
ALUMINUM CORNER CODE



产品材质：铝 Material: Aluminum

No. YGD-018

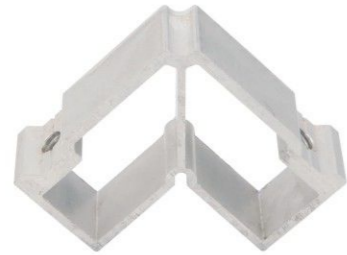
铝角码
ALUMINUM CORNER CODE



产品材质：铝 Material: Aluminum

No. YGD-019

铝角码
ALUMINUM CORNER CODE



产品材质：铝 Material: Aluminum

No. YGD-020

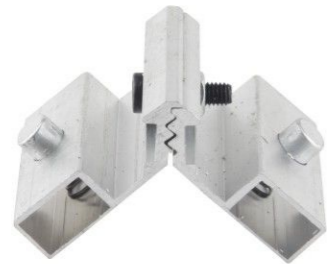
铝角码
ALUMINUM CORNER CODE



产品材质：铝 Material: Aluminum

No. YGD-021

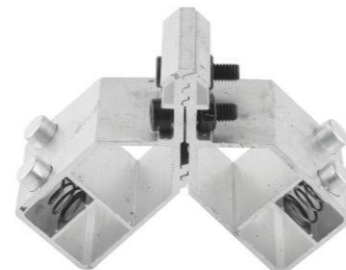
铝角码
ALUMINUM CORNER CODE



产品材质：铝 Material: Aluminum

No. YGD-022

铝角码
ALUMINUM CORNER CODE



产品材质：铝 Material: Aluminum

No. YGD-023

铝角码
ALUMINUM CORNER CODE



产品材质：铝 Material: Aluminum

No. YGD-024

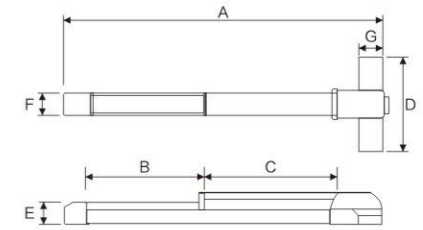
铝角码
ALUMINUM CORNER CODE



产品材质：铝 Material: Aluminum

No. YGD-025

防火逃生推杆锁
FIRE ESCAPE PUSH ROD LOCK

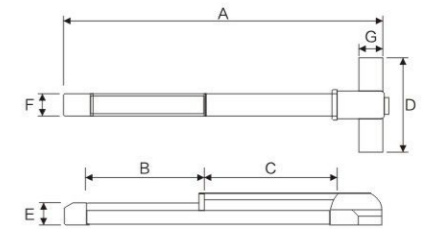


数值表 (mm)						
A	B	C	D	E	F	G
65	235	300	155	50	50	42
1050	425	500	155	50	50	42

产品材质：不锈钢 Material: stainless steel
产品适用于防火门
The product is suitable for fire doors

No. YGD-026

防火逃生推杆锁
FIRE ESCAPE PUSH ROD LOCK

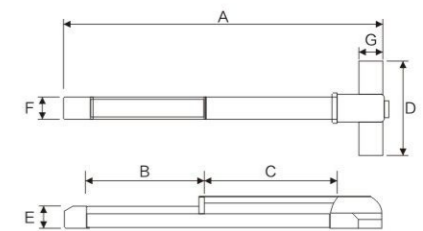


数值表 (mm)						
A	B	C	D	E	F	G
65	235	300	155	50	50	42
1050	425	500	155	50	50	42

产品材质：不锈钢 Material: stainless steel
产品适用于防火门
The product is suitable for fire doors

No. YGD-027

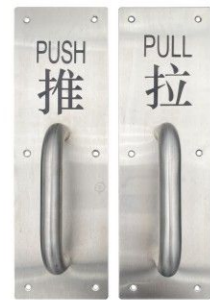
防火逃生推杆锁
FIRE ESCAPE PUSH ROD LOCK



数值表 (mm)						
A	B	C	D	E	F	G
65	235	300	155	50	50	42
1050	425	500	155	50	50	42

产品材质：不锈钢 Material: stainless steel
产品适用于防火门
The product is suitable for fire doors

No. YGD-202



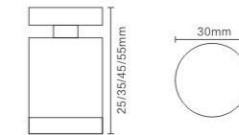
No. YGD-203



No. YGD-204



No. YGD-214

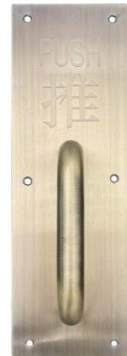


产品材质：不锈钢
Material: stainless steel
表面处理：拉丝
Finishing: drawing
尺寸/size: 30 × 25mm, 30 × 35mm, 30 × 45mm, 30 × 55mm

No. YGD-205



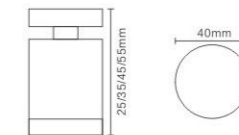
No. YGD-206



No. YGD-207



No. YGD-218



产品材质：不锈钢
Material: stainless steel
表面处理：亮光
Finishing: light
尺寸/size: 40 × 25mm, 40 × 35mm, 40 × 45mm, 40 × 55mm

No. YGD-208



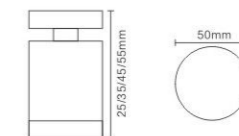
No. YGD-209



No. YGD-210



No. YGD-222



产品材质：不锈钢
Material: stainless steel
表面处理：黑色
Finishing: black
尺寸/size: 50 × 25mm, 50 × 35mm, 50 × 45mm, 50 × 55mm

No. YGD-211



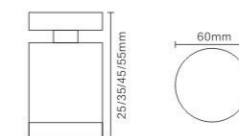
No. YGD-212



No. YGD-213



No. YGD-226



产品材质：不锈钢
Material: stainless steel
表面处理：金色
Finishing: golden
尺寸/size: 60 × 25mm, 60 × 35mm, 60 × 45mm, 60 × 55mm

No. **YGD-180**

淋浴房配套 (标准配置)

SHOWER ROOM MATCHING (STANDARD CONFIGURATION)



产品材质: 不锈钢 | 表面处理: 光铬
 Material: stainless steel | Surface treatment: Chrome

说明:

1. 以下淋浴房最大承重为: 65KG
2. 180° 最大安装长度为1.8米, 90° 双门单边最大安装长度1.0米
3. 用户订购导轨时, 我厂不包导轨钻孔, 孔需要施工时加工
4. 本厂配件只适合夹8mm-10mm玻璃
5. 玻璃开孔是, 要严格按照安装图中的尺寸开孔
6. 每款都可以安装90° 双开, 90° 单开和180°

Instructions:

1. the largest load of shower room is 65KG
2. 180 degree maximum installation length is 1.8 meters, 90 degree double door unilateral maximum installation length 1 meters.
3. when users order the guideway, our factory does not pack guideway holes, and the holes need to be processed during construction.
4. the fittings of our factory are only suitable for clamping 8mm-10mm glass.
5. glass openings are strictly perforated according to the size of the installation drawings.
6. each section can be installed 90 degrees double open, 90 degrees single open and 180 degrees.



No. **YGD-180**

淋浴房配套 (标准配置)

SHOWER ROOM MATCHING (STANDARD CONFIGURATION)



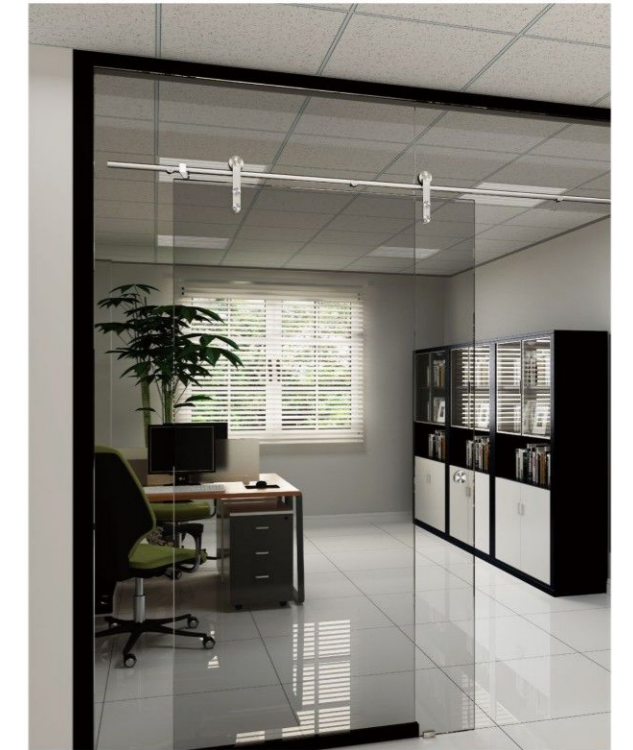
产品材质: 不锈钢 | 表面处理: 光铬
 Material: stainless steel | Surface treatment: Chrome

说明:

1. 以下淋浴房最大承重为: 65KG
2. 180° 最大安装长度为1.8米, 90° 双门单边最大安装长度1.0米
3. 用户订购导轨时, 我厂不包导轨钻孔, 孔需要施工时加工
4. 本厂配件只适合夹8mm-10mm玻璃
5. 玻璃开孔是, 要严格按照安装图中的尺寸开孔
6. 每款都可以安装90° 双开, 90° 单开和180°

Instructions:

1. the largest load of shower room is 65KG
2. 180 degree maximum installation length is 1.8 meters, 90 degree double door unilateral maximum installation length 1 meters.
3. when users order the guideway, our factory does not pack guideway holes, and the holes need to be processed during construction.
4. the fittings of our factory are only suitable for clamping 8mm-10mm glass.
5. glass openings are strictly perforated according to the size of the installation drawings.
6. each section can be installed 90 degrees double open, 90 degrees single open and 180 degrees.



No. **YGD-180**

淋浴房配套 (标准配置)

SHOWER ROOM MATCHING (STANDARD CONFIGURATION)



产品材质: 不锈钢 | 表面处理: 光铬
 Material: stainless steel | Surface treatment: Chrome

说明:

1. 以下淋浴房最大承重为: 65KG
2. 180° 最大安装长度为1.8米, 90° 双门单边最大安装长度1.0米
3. 用户订购导轨时, 我厂不包导轨钻孔, 孔需要施工时加工
4. 本厂配件只适合夹8mm-10mm玻璃
5. 玻璃开孔是, 要严格按照安装图中的尺寸开孔
6. 每款都可以安装90° 双开, 90° 单开和180°

Instructions:

1. the largest load of shower room is 65KG
2. 180 degree maximum installation length is 1.8 meters, 90 degree double door unilateral maximum installation length 1 meters.
3. when users order the guideway, our factory does not pack guideway holes, and the holes need to be processed during construction.
4. the fittings of our factory are only suitable for clamping 8mm-10mm glass.
5. glass openings are strictly perforated according to the size of the installation drawings.
6. each section can be installed 90 degrees double open, 90 degrees single open and 180 degrees.



No. **YGD-180**

淋浴房配套 (标准配置)

SHOWER ROOM MATCHING (STANDARD CONFIGURATION)



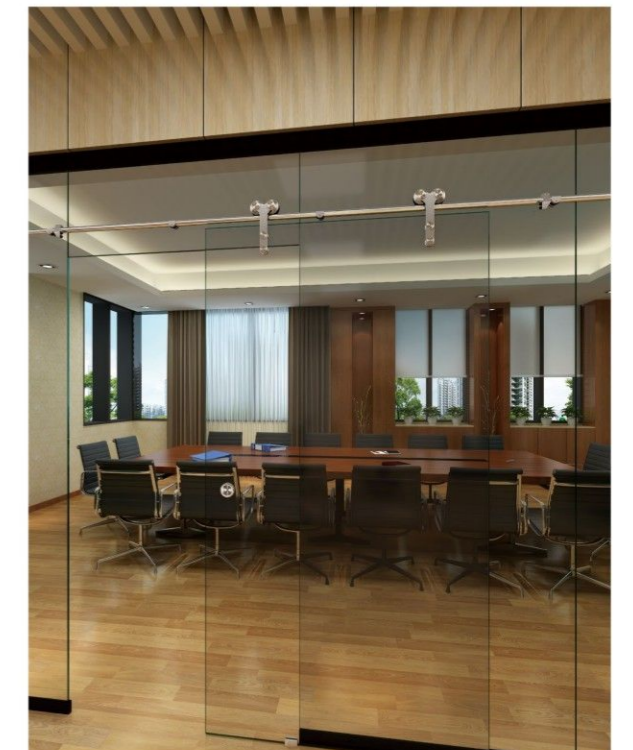
产品材质: 不锈钢 | 表面处理: 光铬
 Material: stainless steel | Surface treatment: Chrome

说明:

1. 以下淋浴房最大承重为: 65KG
2. 180° 最大安装长度为1.8米, 90° 双门单边最大安装长度1.0米
3. 用户订购导轨时, 我厂不包导轨钻孔, 孔需要施工时加工
4. 本厂配件只适合夹8mm-10mm玻璃
5. 玻璃开孔是, 要严格按照安装图中的尺寸开孔
6. 每款都可以安装90° 双开, 90° 单开和180°

Instructions:

1. the largest load of shower room is 65KG
2. 180 degree maximum installation length is 1.8 meters, 90 degree double door unilateral maximum installation length 1 meters.
3. when users order the guideway, our factory does not pack guideway holes, and the holes need to be processed during construction.
4. the fittings of our factory are only suitable for clamping 8mm-10mm glass.
5. glass openings are strictly perforated according to the size of the installation drawings.
6. each section can be installed 90 degrees double open, 90 degrees single open and 180 degrees.



No. **YGD-079**
卫浴吊轮
SANITARY HANGING WHEEL



产品材质：不锈钢
Material: stainless steel | 表面处理：光铬
Surface treatment: Chrome

No. **YGD-080**
卫浴吊轮
SANITARY HANGING WHEEL



产品材质：不锈钢
Material: stainless steel | 表面处理：光铬
Surface treatment: Chrome

No. **YGD-081**
卫浴吊轮
SANITARY HANGING WHEEL



产品材质：不锈钢
Material: stainless steel | 表面处理：光铬
Surface treatment: Chrome

No. **YGD-082**
卫浴吊轮
SANITARY HANGING WHEEL



产品材质：不锈钢
Material: stainless steel | 表面处理：光铬
Surface treatment: Chrome

No. **YGD-083**
卫浴吊轮
SANITARY HANGING WHEEL



产品材质：不锈钢
Material: stainless steel | 表面处理：光铬
Surface treatment: Chrome



No. **YGD-085**



产品材质：不锈钢
Material: stainless steel
表面处理：拉丝、光铬、喷涂
Finishing: drawing/chrome mirror/spraying

No. **YGD-085**



产品材质：不锈钢
Material: stainless steel
表面处理：拉丝、光铬、喷涂
Finishing: drawing/chrome mirror/spraying

No. **YGD-085**



产品材质：不锈钢
Material: stainless steel
表面处理：拉丝、光铬、喷涂
Finishing: drawing/chrome mirror/spraying

No. **YGD-085**



产品材质：不锈钢
Material: stainless steel
表面处理：拉丝、光铬、喷涂
Finishing: drawing/chrome mirror/spraying

No. **YGD-085**



产品材质：不锈钢
Material: stainless steel
表面处理：拉丝、光铬、喷涂
Finishing: drawing/chrome mirror/spraying

No. **YGD-085**



产品材质：不锈钢
Material: stainless steel
表面处理：拉丝、光铬、喷涂
Finishing: drawing/chrome mirror/spraying

No. **YGD-085**



产品材质：不锈钢
Material: stainless steel
表面处理：拉丝、光铬、喷涂
Finishing: drawing/chrome mirror/spraying

No. **YGD-085**



产品材质：不锈钢
Material: stainless steel
表面处理：拉丝、光铬、喷涂
Finishing: drawing/chrome mirror/spraying

No. **YGD-085**



产品材质：不锈钢
Material: stainless steel
表面处理：拉丝、光铬、喷涂
Finishing: drawing/chrome mirror/spraying

No. **YGD-085**



产品材质：不锈钢
Material: stainless steel
表面处理：拉丝、光铬、喷涂
Finishing: drawing/chrome mirror/spraying

No. YGD-085



产品材质：不锈钢
 Material: stainless steel
 表面处理：拉丝、光铬、喷涂
 Finishing: drawing/chrome mirror/spraying

No. YGD-085



产品材质：不锈钢
 Material: stainless steel
 表面处理：拉丝、光铬、喷涂
 Finishing: drawing/chrome mirror/spraying

No. YGD-085



产品材质：不锈钢
 Material: stainless steel
 表面处理：拉丝、光铬、喷涂
 Finishing: drawing/chrome mirror/spraying

No. YGD-085



产品材质：不锈钢
 Material: stainless steel
 表面处理：拉丝、光铬、喷涂
 Finishing: drawing/chrome mirror/spraying

No. YGD-085



产品材质：不锈钢
 Material: stainless steel
 表面处理：拉丝、光铬、喷涂
 Finishing: drawing/chrome mirror/spraying

No. YGD-085



产品材质：不锈钢
 Material: stainless steel
 表面处理：拉丝、光铬、喷涂
 Finishing: drawing/chrome mirror/spraying

No. YGD-085

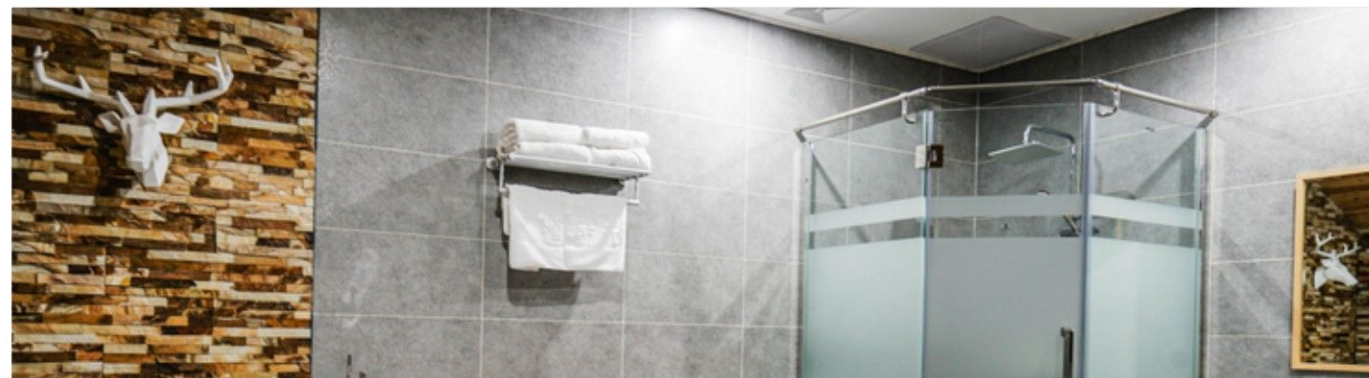


产品材质：不锈钢
 Material: stainless steel
 表面处理：拉丝、光铬、喷涂
 Finishing: drawing/chrome mirror/spraying

No. YGD-085



产品材质：不锈钢
 Material: stainless steel
 表面处理：拉丝、光铬、喷涂
 Finishing: drawing/chrome mirror/spraying



No. YGD-180

卫生间隔断配套
 TOILET PARTITION MATCHING



产品材质：不锈钢
 Material: stainless steel | 表面处理：光铬
 Surface treatment: Chrome

每套标准包装		
脚座：2支	合页：1对	门锁：1把
衣钩：1只	角码：4只	拉手：1付
Each set of standard packaging		
Foot Base: 2 Pcs	Hinge: 1 pair	Door Lock: 1 Pcs
Clothes hook: 1 Pcs	Corner Code: 4 Pcs	Handle: 1 Pay



No. YGD-181

卫生间隔断配套
 TOILET PARTITION MATCHING



产品材质：不锈钢
 Material: stainless steel | 表面处理：光铬
 Surface treatment: Chrome

每套标准包装		
脚座：2支	合页：1对	门锁：1把
衣钩：1只	角码：4只	拉手：1付
Each set of standard packaging		
Foot Base: 2 Pcs	Hinge: 1 pair	Door Lock: 1 Pcs
Clothes hook: 1 Pcs	Corner Code: 4 Pcs	Handle: 1 Pay



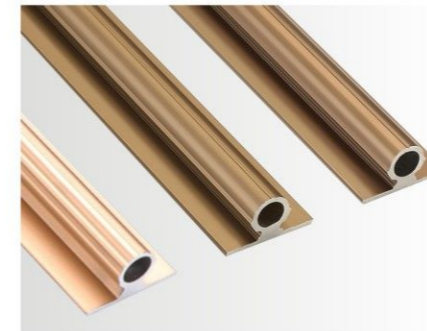
No. **YGD-182**
卫生间隔断配套
TOILET PARTITION MATCHING



产品材质：不锈钢 | 表面处理：光铬
Material: stainless steel | Surface treatment: Chrome

每套标准包装		
脚座：2支	合页：1对	门锁：1把
衣钩：1只	角码：4只	拉手：1付
Each set of standard packaging		
Foot Base: 2 Pcs	Hinge: 1 pair	Door Lock: 1 Pcs
Clothes hook: 1 Pcs	Corner Code: 4 Pcs	Handle: 1 Pay

No. **YGD-191** 衣柜拉直器
WARDROBE DOOR STRAIGHTENER



产品材质：铝
Material: aluminium
表面处理：拉丝、光铬、喷涂
Finishing: drawing/chrome mirror/spraying



No. **YGD-191** 重型吊轮
HEAVY LIFTING WHEEL



产品材质：铁
Material: iron
表面处理：黑色
Surface treatment: black

No. **YGD-183**



No. **YGD-184**



No. **YGD-185**



No. **YGD-186**



No. **YGD-192** 重型吊轮
HEAVY LIFTING WHEEL



产品材质：不锈钢
Material: stainless steel
表面处理：光铬
Surface treatment: Chrome

No. **YGD-187**



No. **YGD-188**



No. **YGD-189**



No. **YGD-190**

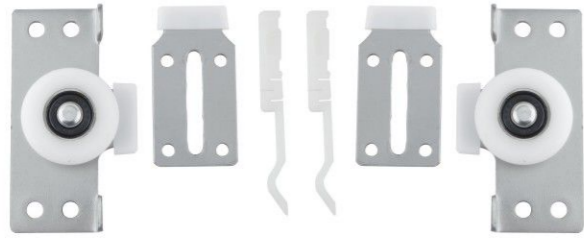


No. **YGD-193** 重型吊轮
HEAVY LIFTING WHEEL

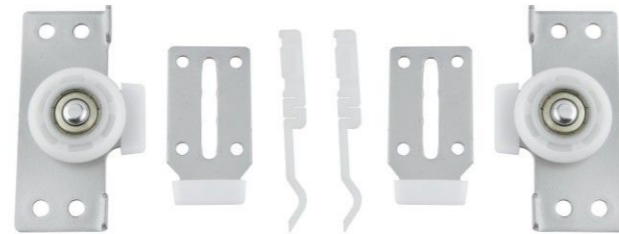


产品材质：不锈钢
Material: stainless steel
表面处理：光铬
Surface treatment: Chrome

No. **YGD-194** 重型吊轮
HEAVY LIFTING WHEEL



No. **YGD-195** 重型吊轮
HEAVY LIFTING WHEEL



No. **YGD-196** 重型吊轮
HEAVY LIFTING WHEEL



No. **YGD-197** 重型吊轮
HEAVY LIFTING WHEEL



No. **YGD-198** 重型吊轮
HEAVY LIFTING WHEEL



No. **YGD-199** 重型吊轮
HEAVY LIFTING WHEEL



No. **YGD-200** 重型吊轮
HEAVY LIFTING WHEEL



No. **YGD-201** 重型吊轮
HEAVY LIFTING WHEEL

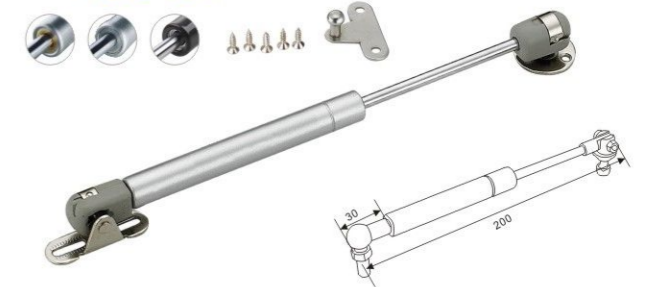


No. **YGD-029**



产品材质: 铜/铝/阻尼塑料 Product material: copper / aluminum / damping plastic
承重范围: 10-400N Bearing range: 10-400n
处理工艺: 电镀/喷涂 Treatment process: electroplating / spraying

No. **YGD-030**



产品材质: 铜/铝/阻尼塑料 Product material: copper / aluminum / damping plastic
承重范围: 10-400N Bearing range: 10-400n
处理工艺: 电镀/喷涂 Treatment process: electroplating / spraying

No. **YGD-031**



产品材质: 铜/铝/阻尼塑料 Product material: copper / aluminum / damping plastic
承重范围: 10-400N Bearing range: 10-400n
处理工艺: 电镀/喷涂 Treatment process: electroplating / spraying

No. **YGD-032**



产品材质: 铜/铝/阻尼塑料 Product material: copper / aluminum / damping plastic
承重范围: 10-400N Bearing range: 10-400n
处理工艺: 电镀/喷涂 Treatment process: electroplating / spraying

No. **YGD-033**

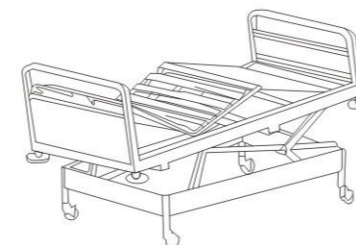


产品材质: 铜/铝/阻尼塑料 Product material: copper / aluminum / damping plastic
承重范围: 10-400N Bearing range: 10-400n
处理工艺: 电镀/喷涂 Treatment process: electroplating / spraying

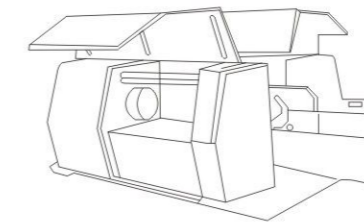
No. **YGD-034**



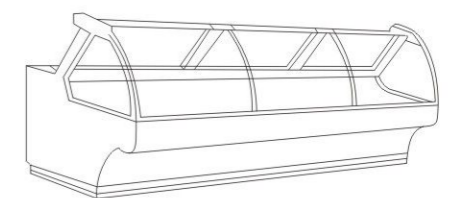
产品材质: 铜/铝/阻尼塑料 Product material: copper / aluminum / damping plastic
承重范围: 10-400N Bearing range: 10-400n
处理工艺: 电镀/喷涂 Treatment process: electroplating / spraying



床上应用
Bed application



机床上应用
Application on machine tool



超市冷柜上应用
Application in freezer

No. YGD-035



产品材质: 铜/铝/阻尼塑料 Product material: copper / aluminum / damping plastic
 承重范围: 10-400N Bearing range: 10-400n
 处理工艺: 电镀/喷涂 Treatment process: electroplating / spraying

No. YGD-036



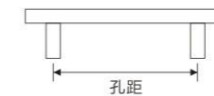
产品材质: 铜/铝/阻尼塑料 Product material: copper / aluminum / damping plastic
 承重范围: 10-400N Bearing range: 10-400n
 处理工艺: 电镀/喷涂 Treatment process: electroplating / spraying

No. YGD-041

小拉手
Small handle



产品材质: 不锈钢 Material: stainless steel
 表面处理: 拉丝、光铬、喷涂 Finishing: drawing/chrome mirror/spraying
 孔距/Hole spacing: 64/96/128/160/192/224/320mm

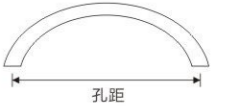


No. YGD-042

小拉手
Small handle



产品材质: 不锈钢 Material: stainless steel
 表面处理: 拉丝、光铬、喷涂 Finishing: drawing/chrome mirror/spraying
 孔距/Hole spacing: 64/96/128/160/192/224/320mm



No. YGD-037



产品材质: 铜/铝/阻尼塑料 Product material: copper / aluminum / damping plastic
 承重范围: 10-400N Bearing range: 10-400n
 处理工艺: 电镀/喷涂 Treatment process: electroplating / spraying

No. YGD-038



产品材质: 铜/铝/阻尼塑料 Product material: copper / aluminum / damping plastic
 承重范围: 10-400N Bearing range: 10-400n
 处理工艺: 电镀/喷涂 Treatment process: electroplating / spraying

No. YGD-043

小拉手
Small handle



产品材质: 不锈钢 Material: stainless steel
 表面处理: 拉丝、光铬、喷涂 Finishing: drawing/chrome mirror/spraying
 孔距/Hole spacing: 64/96/128/160/192/224/320mm



No. YGD-044

小拉手
Small handle



产品材质: 不锈钢 Material: stainless steel
 表面处理: 拉丝、光铬、喷涂 Finishing: drawing/chrome mirror/spraying
 孔距/Hole spacing: 64/96/128/160/192/224/320mm



No. YGD-039



产品材质: 铜/铝/阻尼塑料 Product material: copper / aluminum / damping plastic
 承重范围: 10-400N Bearing range: 10-400n
 处理工艺: 电镀/喷涂 Treatment process: electroplating / spraying

No. YGD-040



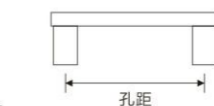
产品材质: 铜/铝/阻尼塑料 Product material: copper / aluminum / damping plastic
 承重范围: 10-400N Bearing range: 10-400n
 处理工艺: 电镀/喷涂 Treatment process: electroplating / spraying

No. YGD-045

小拉手
Small handle



产品材质: 不锈钢 Material: stainless steel
 表面处理: 拉丝、光铬、喷涂 Finishing: drawing/chrome mirror/spraying
 孔距/Hole spacing: 64/96/128/160/192/224/320mm



No. YGD-046

小拉手
Small handle



产品材质: 不锈钢 Material: stainless steel
 表面处理: 拉丝、光铬、喷涂 Finishing: drawing/chrome mirror/spraying
 孔距/Hole spacing: 64/96/128/160/192/224/320mm



气动支撑 PNEUMATIC SUPPORT SERIES

*适用于汽车引擎盖、后门的开启, 绘图机、航空货架、印刷机械、食品加工机及现代自动化的机械设备, 健身器材、纺织、电脑家具、木工机械等。

*举力规格: 200-900N
 *表面处理: 电镀、喷涂

*Adapted for the car hood, the back door open, drawing machine, aviation rack, printing machinery, Food processing machine and the modern automated machinery and equipment, fitness equipment, textiles, computer furniture, wood working machinery

*Lifting force specification :200-900N
 *Surface treatment: electroplating, spray

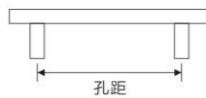


No. YGD-047

小拉手
Small handle



产品材质：不锈钢
Material: stainless steel
表面处理：拉丝、光铬、喷涂
Finishing: drawing/chrome mirror/spraying
孔距/Hole spacing: 64/96/128/160/192/224/320mm



No. YGD-048

小拉手
Small handle



产品材质：不锈钢
Material: stainless steel
表面处理：拉丝、光铬、喷涂
Finishing: drawing/chrome mirror/spraying
孔距/Hole spacing: 64/96/128/160/192/224/320mm



No. YGD-049

小拉手
Small handle



产品材质：不锈钢
Material: stainless steel
表面处理：拉丝、光铬、喷涂
Finishing: drawing/chrome mirror/spraying
孔距/Hole spacing: 64/96/128/160/192/224/320mm

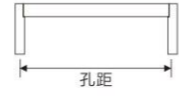


No. YGD-050

小拉手
Small handle



产品材质：不锈钢
Material: stainless steel
表面处理：拉丝、光铬、喷涂
Finishing: drawing/chrome mirror/spraying
孔距/Hole spacing: 64/96/128/160/192/224/320mm



No. YGD-085

暗拉手 Concealed handle



产品材质：不锈钢
Material: stainless steel

No. YGD-086

暗拉手 Concealed handle



产品材质：不锈钢
Material: stainless steel

No. YGD-087

暗拉手 Concealed handle



产品材质：不锈钢
Material: stainless steel

No. YGD-088

暗拉手 Concealed handle



产品材质：不锈钢
Material: stainless steel

No. YGD-089

暗拉手 Concealed handle



产品材质：不锈钢
Material: stainless steel

No. YGD-090

暗拉手 Concealed handle



产品材质：不锈钢
Material: stainless steel

No. YGD-091

暗拉手 Concealed handle



产品材质：不锈钢
Material: stainless steel

No. YGD-092

暗拉手 Concealed handle



产品材质：不锈钢
Material: stainless steel

No. YGD-093

暗拉手 Concealed handle



产品材质：不锈钢
Material: stainless steel

No. YGD-094

暗拉手 Concealed handle



产品材质：不锈钢
Material: stainless steel

No. YGD-095

暗拉手 Concealed handle



产品材质：不锈钢
Material: stainless steel

No. YGD-096

暗拉手 Concealed handle



产品材质：不锈钢
Material: stainless steel

No. YGD-097

暗拉手 Concealed handle



产品材质：不锈钢
Material: stainless steel

No. YGD-098

暗拉手 Concealed handle



产品材质：不锈钢
Material: stainless steel

No. YGD-099

暗拉手 Concealed handle



产品材质：不锈钢
Material: stainless steel

No. YGD-100

暗拉手 Concealed handle



产品材质：不锈钢
Material: stainless steel

No. YGD-101

暗拉手 Concealed handle



产品材质：不锈钢
Material: stainless steel

No. YGD-102

暗拉手 Concealed handle



产品材质：不锈钢
Material: stainless steel

No. YGD-103

暗拉手 Concealed handle



产品材质：不锈钢
Material: stainless steel

No. YGD-104

暗拉手 Concealed handle



产品材质：不锈钢
Material: stainless steel

No. YGD-105
暗拉手 Concealed handle



产品材质：不锈钢
Material: stainless steel

No. YGD-106
暗拉手 Concealed handle



产品材质：不锈钢
Material: stainless steel

No. YGD-107
暗拉手 Concealed handle



产品材质：不锈钢
Material: stainless steel

No. YGD-108
暗拉手 Concealed handle



产品材质：不锈钢
Material: stainless steel

No. YGD-109
暗拉手 Concealed handle



产品材质：不锈钢
Material: stainless steel

No. YGD-110
暗拉手 Concealed handle



产品材质：不锈钢
Material: stainless steel

No. YGD-111
暗拉手 Concealed handle



产品材质：不锈钢
Material: stainless steel

No. YGD-112
暗拉手 Concealed handle



产品材质：不锈钢
Material: stainless steel

No. YGD-113
暗拉手 Concealed handle



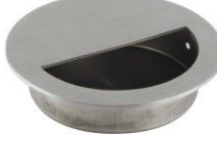
产品材质：不锈钢
Material: stainless steel

No. YGD-114
暗拉手 Concealed handle



产品材质：不锈钢
Material: stainless steel

No. YGD-115
暗拉手 Concealed handle



产品材质：不锈钢
Material: stainless steel

No. YGD-116
暗拉手 Concealed handle



产品材质：不锈钢
Material: stainless steel

No. YGD-117
暗拉手 Concealed handle



产品材质：不锈钢
Material: stainless steel

No. YGD-118
暗拉手 Concealed handle



产品材质：不锈钢
Material: stainless steel

No. YGD-119
暗拉手 Concealed handle



产品材质：不锈钢
Material: stainless steel

No. YGD-120
暗拉手 Concealed handle



产品材质：不锈钢
Material: stainless steel

No. YGD-121
暗拉手 Concealed handle



产品材质：不锈钢
Material: stainless steel

No. YGD-122
暗拉手 Concealed handle



产品材质：不锈钢
Material: stainless steel

No. YGD-123
暗拉手 Concealed handle



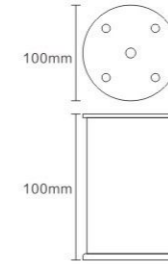
产品材质：不锈钢
Material: stainless steel

No. YGD-124
暗拉手 Concealed handle



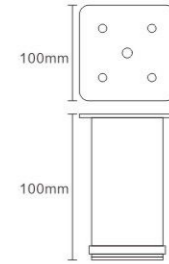
产品材质：不锈钢
Material: stainless steel

No. YGD-051
沙发脚
SOFA FOOT



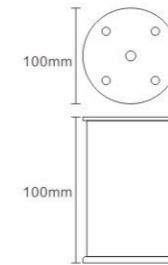
产品材质：不锈钢 | 表面处理：光铬
Material: stainless steel | Surface treatment: Chrome

No. YGD-052
沙发脚
SOFA FOOT



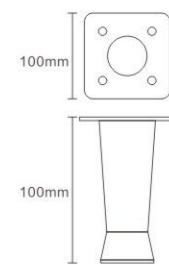
产品材质：不锈钢 | 表面处理：光铬
Material: stainless steel | Surface treatment: Chrome

No. YGD-053
沙发脚
SOFA FOOT



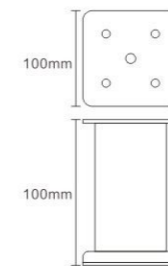
产品材质：不锈钢 | 表面处理：光铬
Material: stainless steel | Surface treatment: Chrome

No. YGD-054
沙发脚
SOFA FOOT



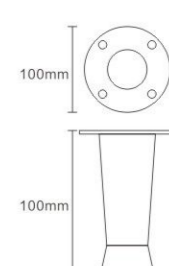
产品材质：不锈钢 | 表面处理：光铬
Material: stainless steel | Surface treatment: Chrome

No. YGD-055
沙发脚
SOFA FOOT



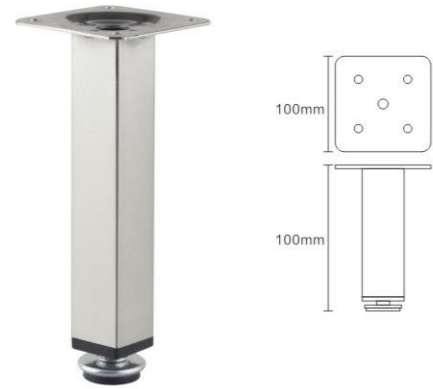
产品材质：不锈钢 | 表面处理：光铬
Material: stainless steel | Surface treatment: Chrome

No. YGD-056
沙发脚
SOFA FOOT



产品材质：不锈钢 | 表面处理：光铬
Material: stainless steel | Surface treatment: Chrome

No. **YGD-057**
沙发脚
SOFA FOOT



产品材质：不锈钢 | 表面处理：光铬
Material: stainless steel | Surface treatment: Chrome

No. **YGD-058**
沙发脚
SOFA FOOT



产品材质：不锈钢 | 表面处理：光铬
Material: stainless steel | Surface treatment: Chrome

No. **YGD-063**
沙发脚
SOFA FOOT



产品材质：不锈钢 | 表面处理：光铬
Material: stainless steel | Surface treatment: Chrome

No. **YGD-064**
沙发脚
SOFA FOOT



产品材质：不锈钢 | 表面处理：光铬
Material: stainless steel | Surface treatment: Chrome

No. **YGD-059**
沙发脚
SOFA FOOT



产品材质：不锈钢 | 表面处理：光铬
Material: stainless steel | Surface treatment: Chrome

No. **YGD-060**
沙发脚
SOFA FOOT



产品材质：不锈钢 | 表面处理：光铬
Material: stainless steel | Surface treatment: Chrome

No. **YGD-065**
沙发脚
SOFA FOOT



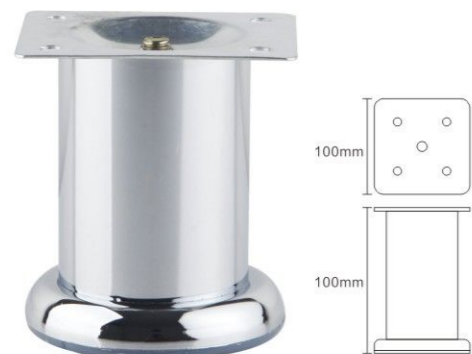
产品材质：不锈钢 | 表面处理：光铬
Material: stainless steel | Surface treatment: Chrome

No. **YGD-066**
沙发脚
SOFA FOOT



产品材质：不锈钢 | 表面处理：光铬
Material: stainless steel | Surface treatment: Chrome

No. **YGD-061**
沙发脚
SOFA FOOT



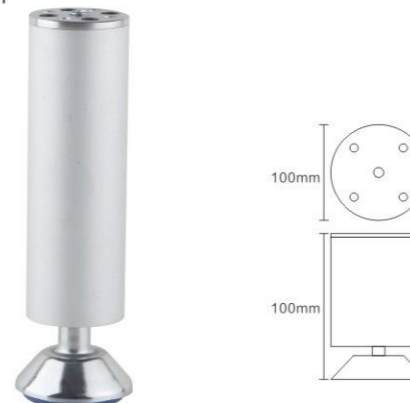
产品材质：不锈钢 | 表面处理：光铬
Material: stainless steel | Surface treatment: Chrome

No. **YGD-062**
沙发脚
SOFA FOOT



产品材质：不锈钢 | 表面处理：光铬
Material: stainless steel | Surface treatment: Chrome

No. **YGD-067**
沙发脚
SOFA FOOT



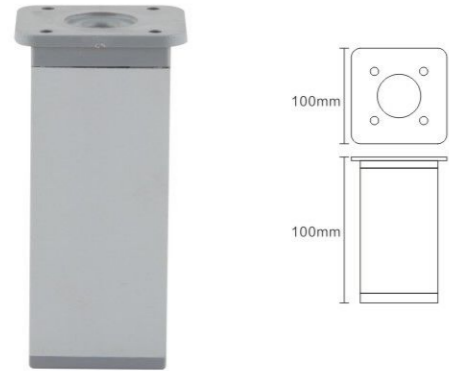
产品材质：不锈钢 | 表面处理：光铬
Material: stainless steel | Surface treatment: Chrome

No. **YGD-068**
沙发脚
SOFA FOOT



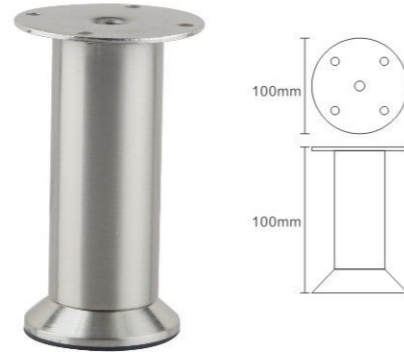
产品材质：不锈钢 | 表面处理：光铬
Material: stainless steel | Surface treatment: Chrome

No. **YGD-069**
沙发脚
SOFA FOOT



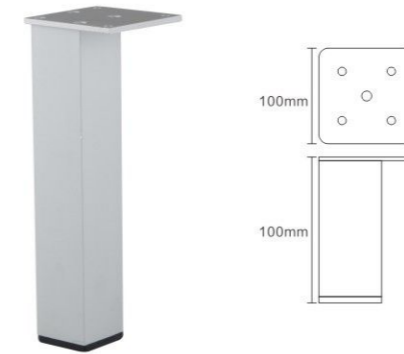
产品材质：不锈钢 | 表面处理：光铬
Material: stainless steel | Surface treatment: Chrome

No. **YGD-070**
沙发脚
SOFA FOOT



产品材质：不锈钢 | 表面处理：光铬
Material: stainless steel | Surface treatment: Chrome

No. **YGD-073**
沙发脚
SOFA FOOT



产品材质：不锈钢 | 表面处理：光铬
Material: stainless steel | Surface treatment: Chrome

No. **YGD-074**
沙发脚
SOFA FOOT



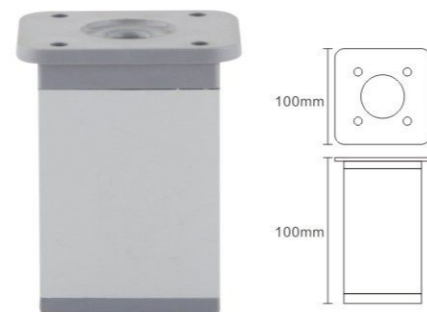
产品材质：不锈钢 | 表面处理：光铬
Material: stainless steel | Surface treatment: Chrome

No. **YGD-071**
沙发脚
SOFA FOOT



产品材质：不锈钢 | 表面处理：光铬
Material: stainless steel | Surface treatment: Chrome

No. **YGD-072**
沙发脚
SOFA FOOT



产品材质：不锈钢 | 表面处理：光铬
Material: stainless steel | Surface treatment: Chrome

No. **YGD-075**
沙发脚
SOFA FOOT



产品材质：不锈钢 | 表面处理：光铬
Material: stainless steel | Surface treatment: Chrome

No. **YGD-076**
沙发脚
SOFA FOOT



产品材质：不锈钢 | 表面处理：光铬
Material: stainless steel | Surface treatment: Chrome



No. **YGD-077**
沙发脚
SOFA FOOT



产品材质：不锈钢 | 表面处理：光铬
Material: stainless steel | Surface treatment: Chrome

No. **YGD-078**
沙发脚
SOFA FOOT



产品材质：不锈钢 | 表面处理：光铬
Material: stainless steel | Surface treatment: Chrome