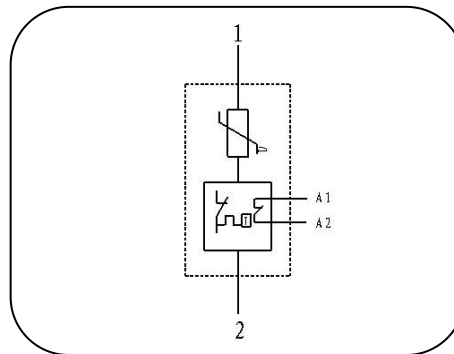


POWER SUPPLY SYSTEM

MODULAR THERMALLY PROTECTED MOV

20PTMOV



Circuit diagram

Technical Features

UL1449 4th Type 1ca surge suppressor with thermal protection designed to open in the event of overheating due to an abnormal over-voltage or temporary over voltage (TOV) and will interrupt any abnormal current that may be encountered.

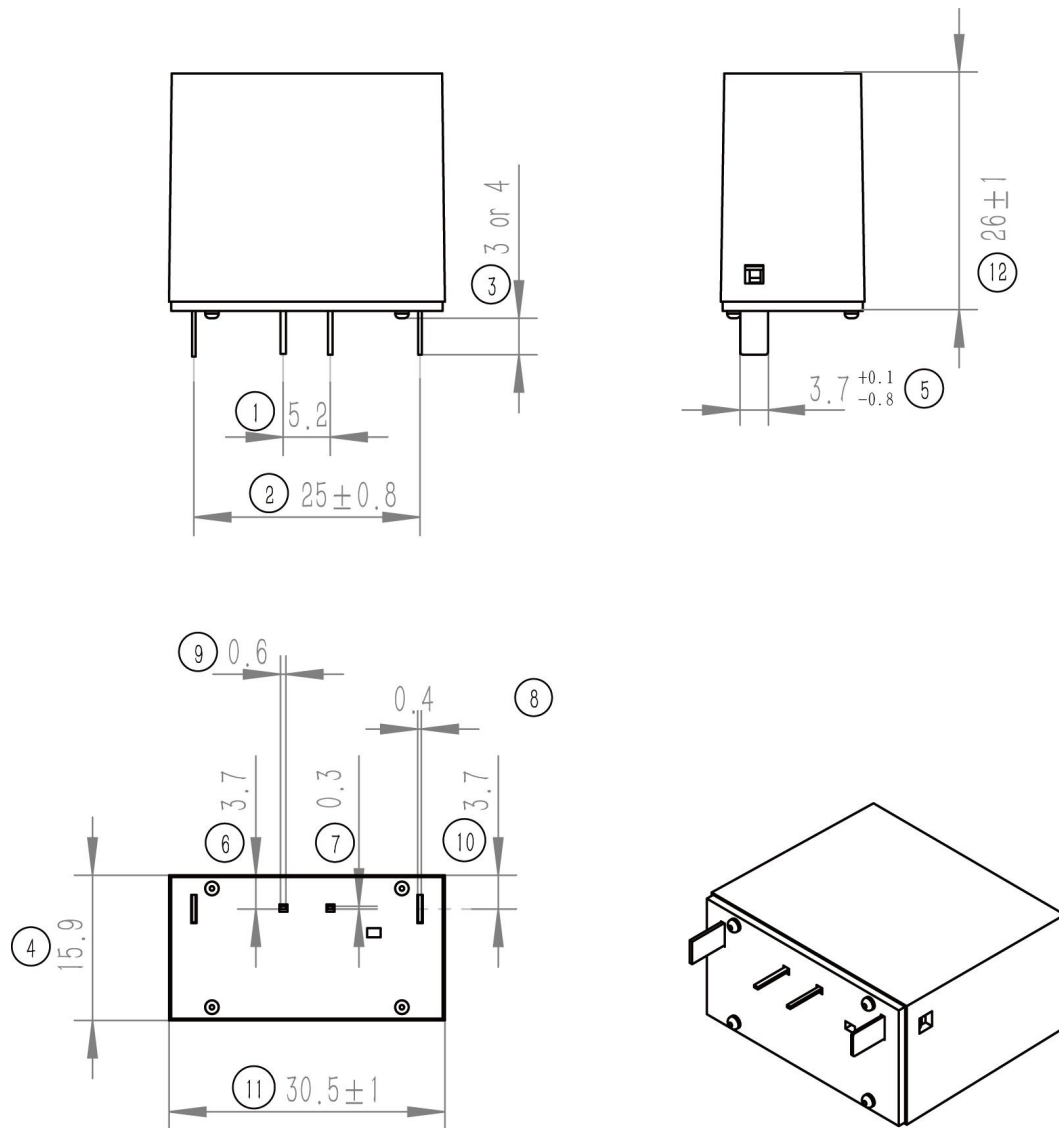
- UL1449 4th approved for Type1CA, UL File No. E319871, CSA for Type 2CA, compliant with IEC/EN 61643-1/11 standard
- PCB mounting design, compatible with reflow and wave soldering procedure
- Compact size to save installation space
- Quick thermal response and perfect circuit cutoff function due to special thermal disconnecter design with internal arc extinguishing device(Patented)
- Higher nominal discharge current up to 20kA (8/20µs) and discharge capacity up to 50kA 8/20µs
- SCCR up to 200kArms without external fuse or CB
- Floating remote signaling contact (50mA, 12Vdc) for fault indication
- Wide operating temperature range and high reliability
- Application in the AC mains, service entrance, and heavy industrial etc

Type	20PTMOVxxx/S		
	150	180	320
In accordance with	ANSI/UL1449-4th: IEC61643-11:2012		
Category	Type 1ca per UL 1449 4th Type 2ca per CSA		
Thermal disconnecter (patented)	Internal thermal disconnecter & arc extinguishing		
Max. Continuous operating voltage (AC/DC) MCOV	150V /200V	180V /230V	320 /410
Nominal discharge current(8/20) In x 15 times	20kA		
Max. Discharge current(8/20) Imax x 1 time	50kA		
Voltage protection level VPR	≤0.6kV	≤0.8kV	≤1.0kV
Response time	≤25 ns		
Operating temperature range	- 40°C ~ + 80°C		
Enclosure material	Thermoplastic; extinguishing degree UL94 V-0		
Insulation resistance	≥10 MOhm		
Electric strength	≥2500V		
Remote alarm contact	Switching isolation, Open: failure; Close: normal, Rating:0.1A,12Vdc (max)		
Short circuit current rating SCCR	200kA		
Approvals, certifications	UL CE		

POWER SUPPLY SYSTEM

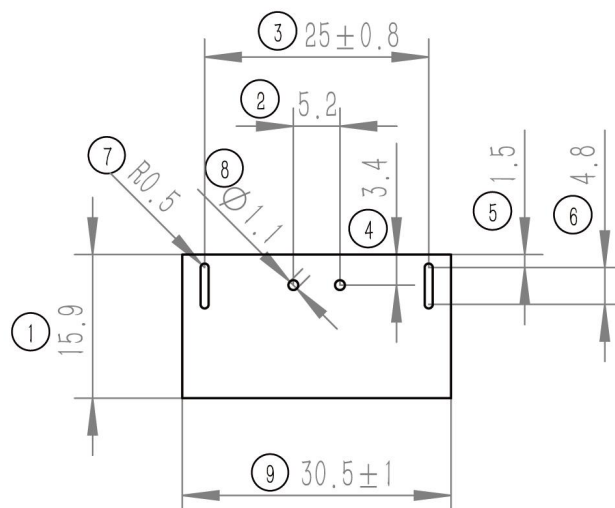
Dimension drawing (mm)

Tolerance without $\pm 0.5\text{mm}$



PCB Layout Dimensions: (mm)

Tolerance without $\pm 0.5\text{mm}$



RECOMMENDED SOLDERING PROFILES

