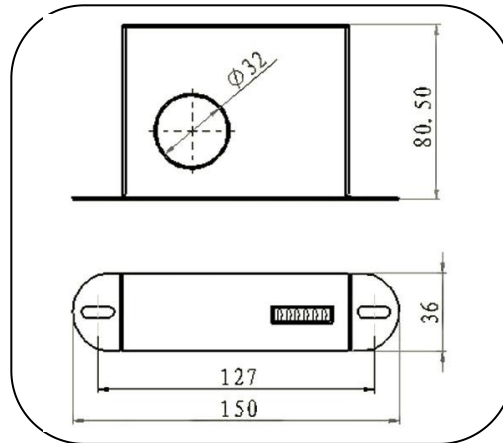


Lightning counter

Passive Lightning Event Counter



Passive Lightning event counter is used for registering the direct lightning event.

- Long service life due to no battery need
- Sensitive response with trigger current 500A
- Can register very high lightning strike up to 150kA 8/20
- 32mm through hole, easy to install and use, a simple insertion of the down conductor
- IP67 for out-door installation
- Mechanical count, 6 digit display

Type	LEC-D
Counting Current (rise time $\geq 8\mu s$)	> 500A
Sequence of impulse	> 1s
Display Model	Electromechanical digital display
Indicator	Lightning Event 0~999999
Current Sample Mode	Inductive Probe (Built-in)
Working mode	No battery need
Operation temperature (°C)	-20~+60
Dimension of window (mm)	32
Dimension of counter (mm)	150x80.5x36
Enclosure material	Steel
Degree of protection	IP67

Installation:

