
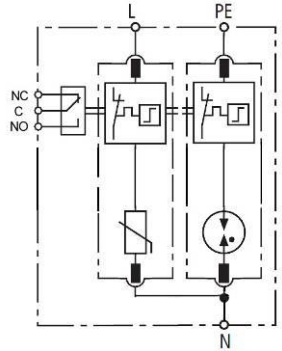
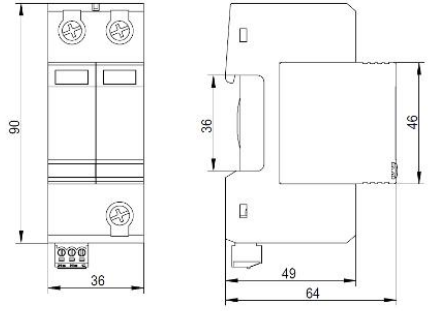

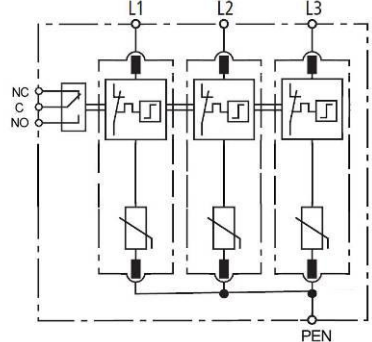
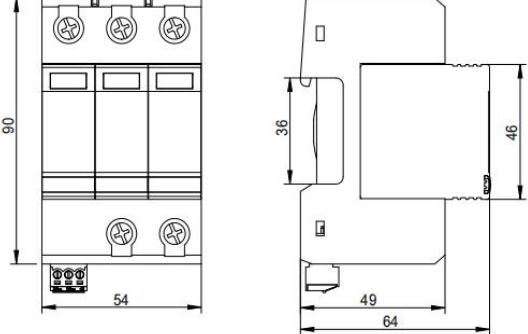
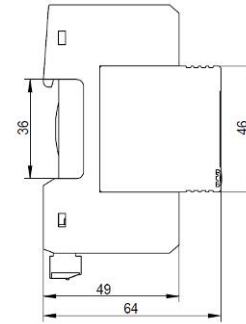
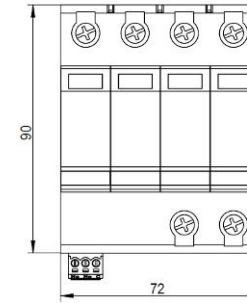
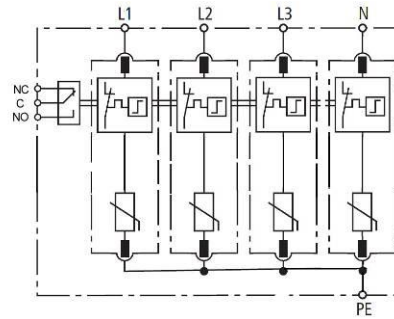


Part No.	Picture	Basic circuit diagram	Dimension drawing
V50/Uc-S			
DS50/Uc-2V-S			

<p>DS50/Uc-(V+T)-S</p>			
<p>DT50/Uc-3V-S</p>			

DT50/Uc-4V-S



DT50/Uc-(3V+T)-S

