



 **SPEED China**

JIANGMEN SPEED STAINLESS STEEL PRODUCT CO., LTD.
R&D · Handmade Sink · Drawn Sink · Sink Accessories

 **SPEED Vietnam**

VIETTA INDUSTRIES (VN) CO., LTD. *Handmade Sink*
SPEED SINKWARE (VN) CO., LTD. *Drawn Sink*

Website: www.speed-vietnam.com
www.speedsink.com

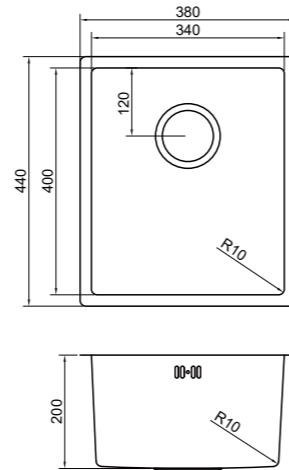
Email: speed@speedsink.com

Premium kitchen sink

— International

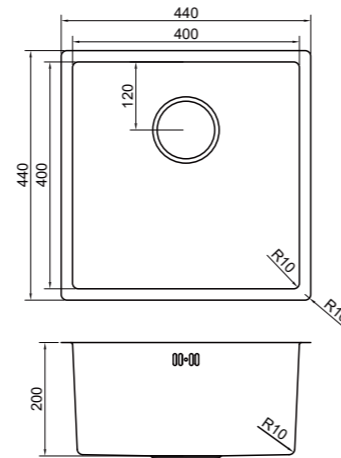
ver: D1.0

We will constantly upgrade our products to meet the needs of our customers. All the information provided on this flyer is for reference only.



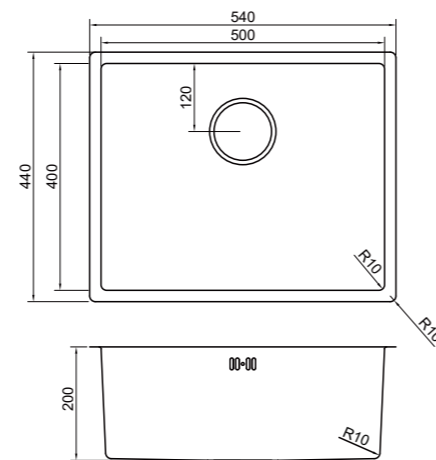
R10

- ◆ MODEL: PS34SA
- ◆ SIZE: 380*440*200 mm
- ◆ Thickness: 1.0mm



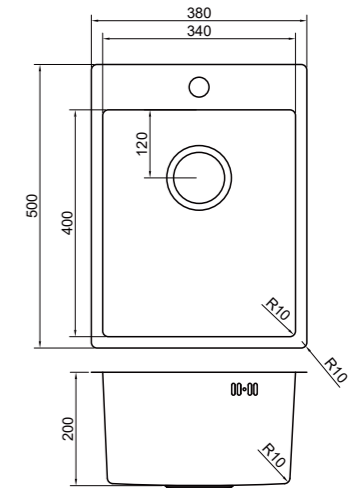
R10

- ◆ MODEL: PS40SA
- ◆ SIZE: 440*440*200 mm
- ◆ Thickness: 1.0mm



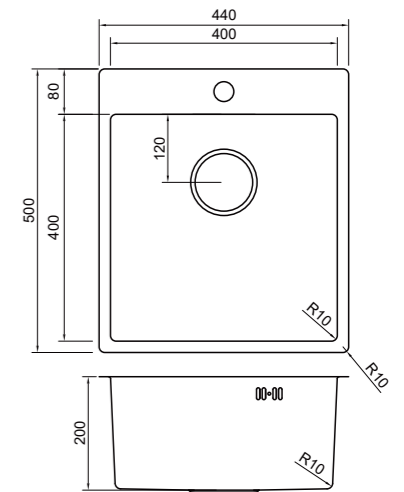
R10

- ◆ MODEL: PS50SA
- ◆ SIZE: 540*440*200 mm
- ◆ Thickness: 1.0mm



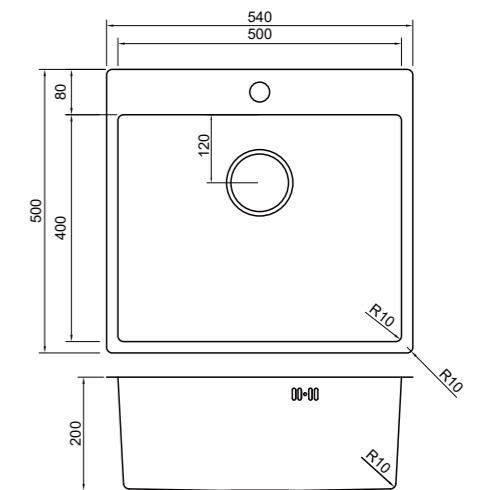
R10

- ◆ MODEL: PST34SA
- ◆ SIZE: 380*500*200 mm
- ◆ Thickness: 1.0mm



R10

- ◆ MODEL: PST40SA
- ◆ SIZE: 440*500*200 mm
- ◆ Thickness: 1.0mm

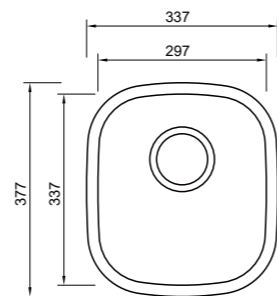


R10

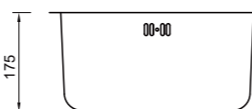
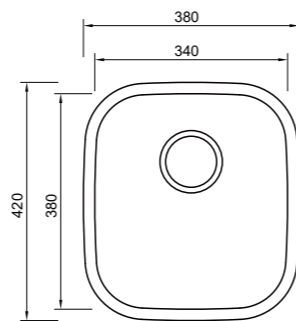
- ◆ MODEL: PST50SA
- ◆ SIZE: 540*500*200 mm
- ◆ Thickness: 1.0mm



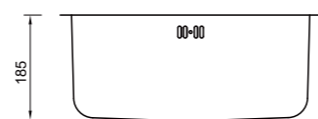
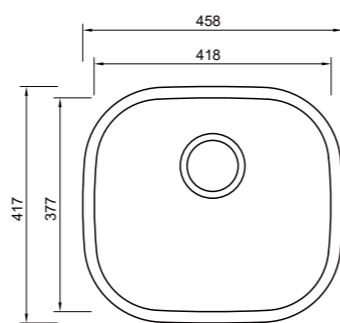
- ◆ MODEL:CS3337SA
- ◆ SIZE: 337*337*160 mm
- ◆ Thickness: 0.7-0.9mm



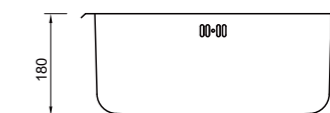
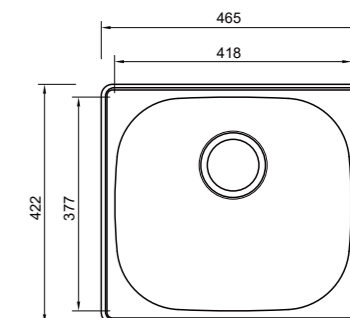
- ◆ MODEL:CS4238SA
- ◆ SIZE: 380*420*175 mm
- ◆ Thickness: 0.7-0.9mm



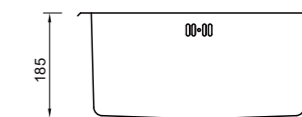
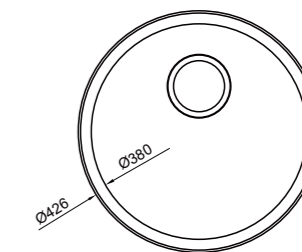
- ◆ MODEL:CS4642SA
- ◆ SIZE: 458*417*185 mm
- ◆ Thickness: 0.7-0.9mm

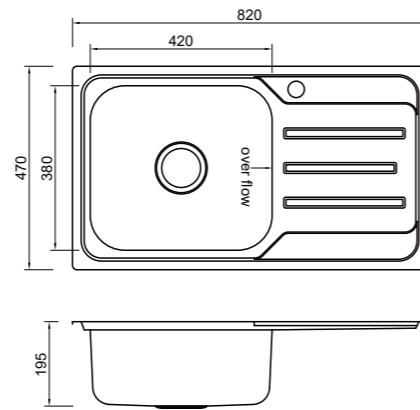


- ◆ MODEL:CS4642SB
- ◆ SIZE: 465*422*180 mm
- ◆ Thickness: 0.7-0.9mm

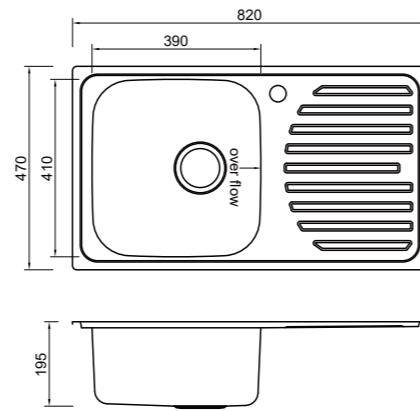


- ◆ MODEL:ZG430SA
- ◆ SIZE: φ426*200 mm
- ◆ Thickness: 0.7-0.9mm

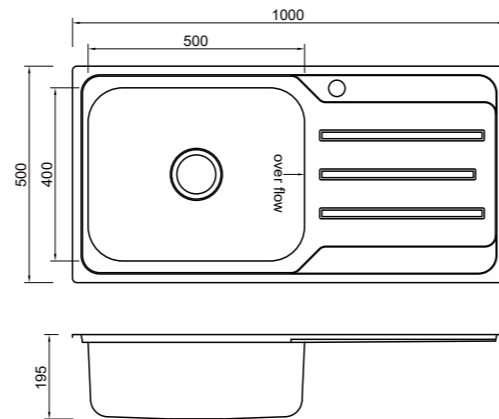




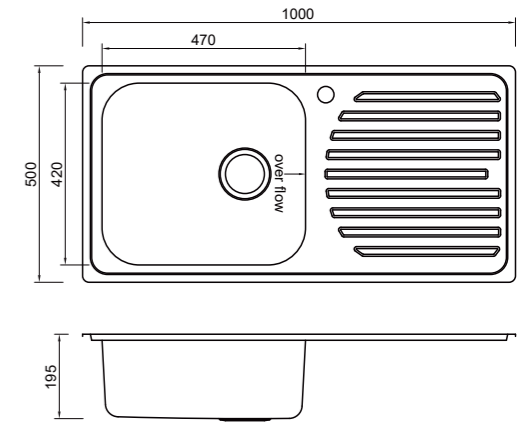
- ◆ MODEL:CS8247SA
- ◆ SIZE: 820*470*195 mm
- ◆ Thickness: 0.8mm



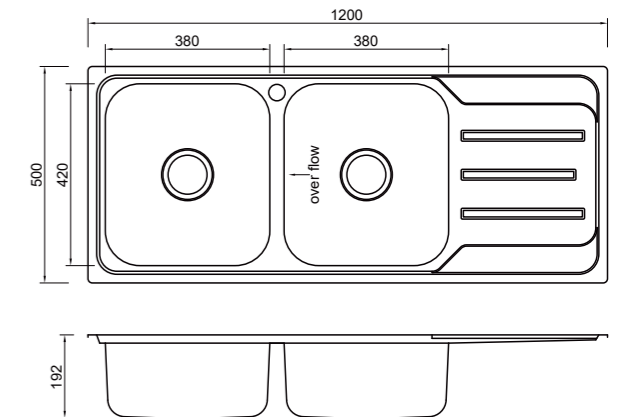
- ◆ MODEL:CS8247SB
- ◆ SIZE: 820*470*195 mm
- ◆ Thickness: 0.8mm



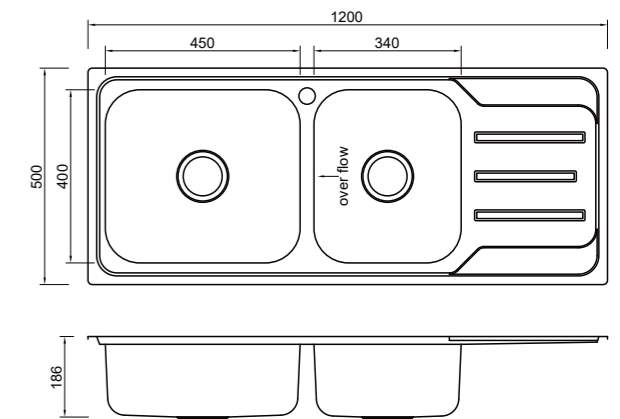
- ◆ MODEL:CS1050SA
- ◆ SIZE: 1000*500*195 mm
- ◆ Thickness: 0.8mm



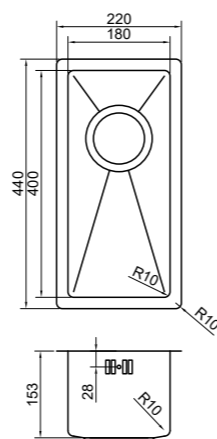
- ◆ MODEL:CS1050SB
- ◆ SIZE: 1000*500*195 mm
- ◆ Thickness: 0.8mm



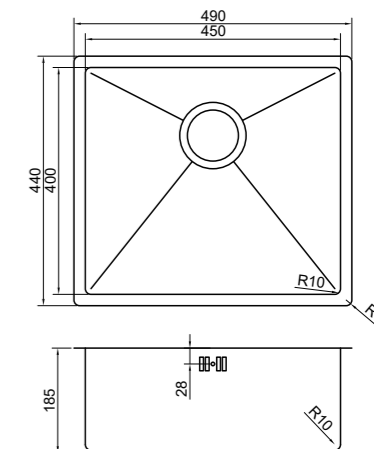
- ◆ MODEL:CS1250DA
- ◆ SIZE: 1200*500*192 mm
- ◆ Thickness: 0.8-1.0mm



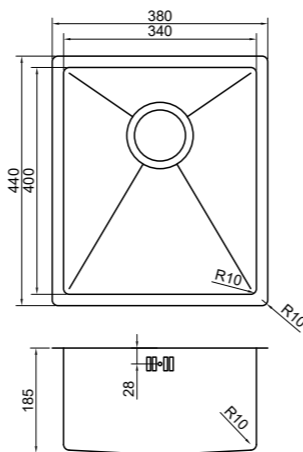
- ◆ MODEL:CS1250DB
- ◆ SIZE: 1200*500*186 mm
- ◆ Thickness: 0.8-1.0mm



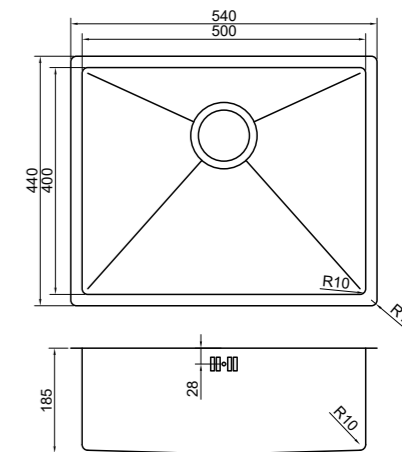
- R0/R10/R15
 ◆ MODEL:HS18
 ◆ SIZE: 220*440*153 mm
 ◆ Thickness: 1.0/1.2mm



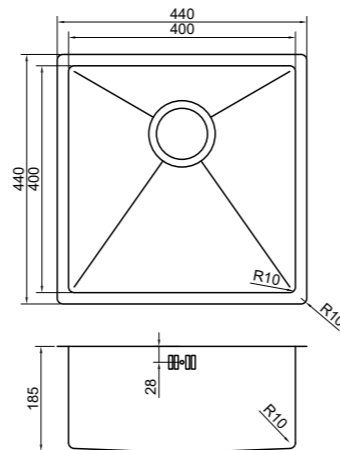
- R0/R10/R15
 ◆ MODEL:HS45
 ◆ SIZE: 490*440*185 mm
 ◆ Thickness: 1.0/1.2mm



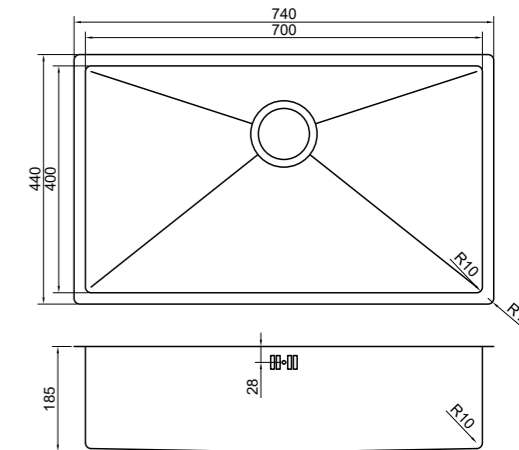
- R0/R10/R15
 ◆ MODEL:HS34
 ◆ SIZE: 380*440*185 mm
 ◆ Thickness: 1.0/1.2mm



- R0/R10/R15
 ◆ MODEL:HS50
 ◆ SIZE: 540*440*185 mm
 ◆ Thickness: 1.0/1.2mm

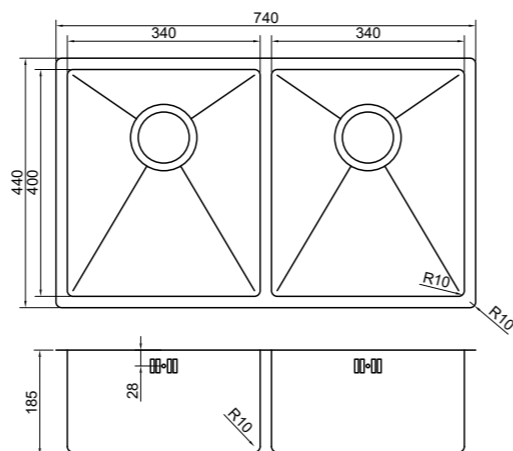


- R0/R10/R15
 ◆ MODEL:HS40
 ◆ SIZE: 440*440*185 mm
 ◆ Thickness: 1.0/1.2mm

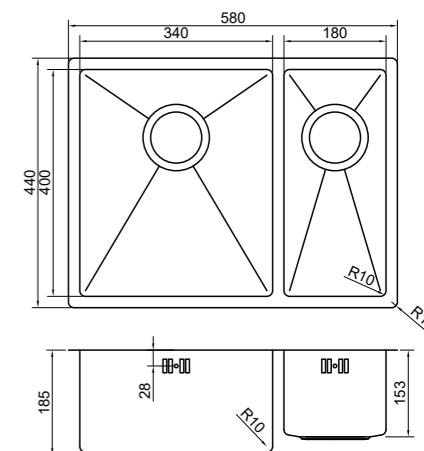


- R0/R10/R15
 ◆ MODEL:HS70
 ◆ SIZE: 740*440*185 mm
 ◆ Thickness: 1.0/1.2mm

Undermount

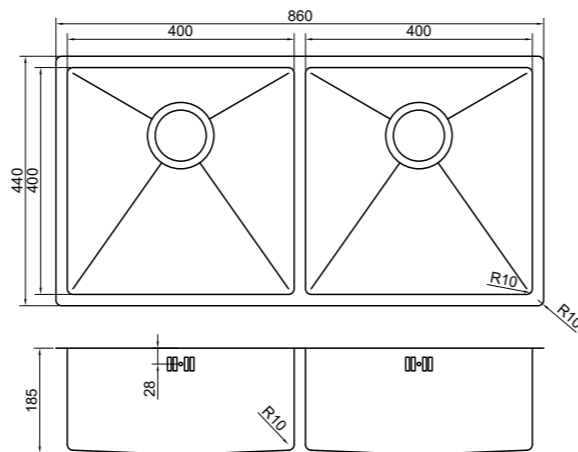


R0/R10/R15
 ◆ MODEL: HS34D
 ◆ SIZE: 740*440*185 mm
 ◆ Thickness: 1.0/1.2mm

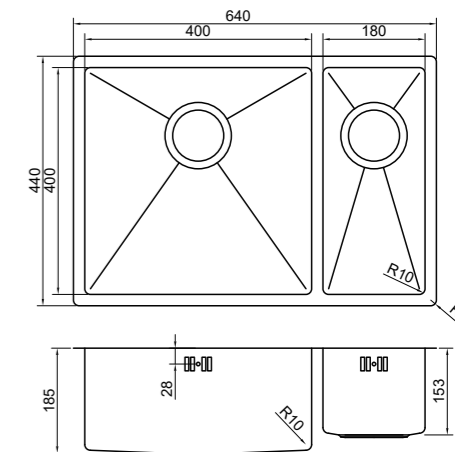


R0/R10/R15
 ◆ MODEL: HS3418BL/BR
 ◆ SIZE: 580*440*185 mm
 ◆ Thickness: 1.0/1.2mm

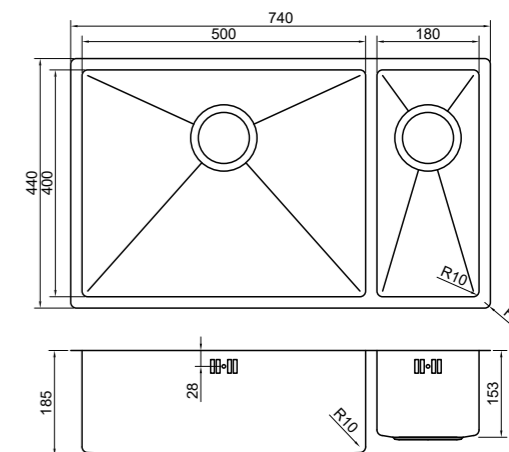
Undermount



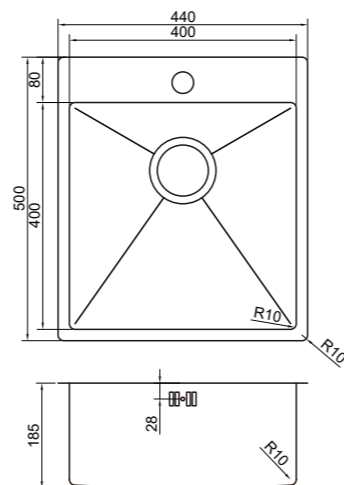
R0/R10/R15
 ◆ MODEL: HS40D
 ◆ SIZE: 860*440*185 mm
 ◆ Thickness: 1.0/1.2mm



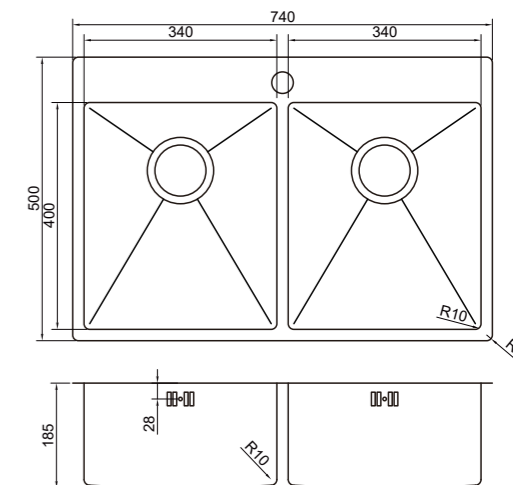
R0/R10/R15
 ◆ MODEL: HS4018BL/BR
 ◆ SIZE: 640*440*185 mm
 ◆ Thickness: 1.0/1.2mm



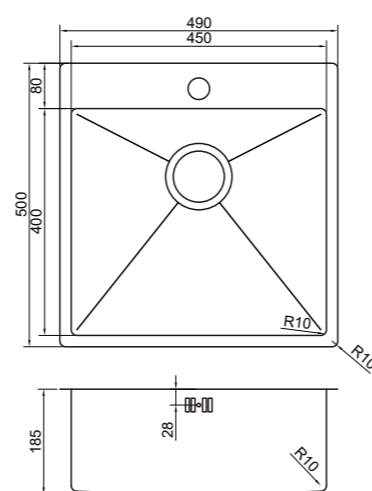
R0/R10/R15
 ◆ MODEL: HS5018BL/BR
 ◆ SIZE: 740*440*185 mm
 ◆ Thickness: 1.0/1.2mm



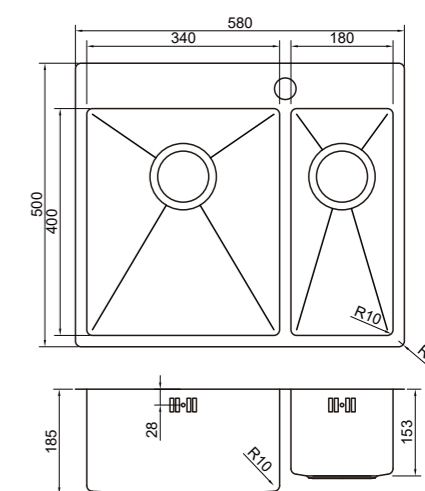
R0/R10/R15
 ◆ MODEL:HS40F
 ◆ SIZE: 440*500*185 mm
 ◆ Thickness: 1.0/1.2mm



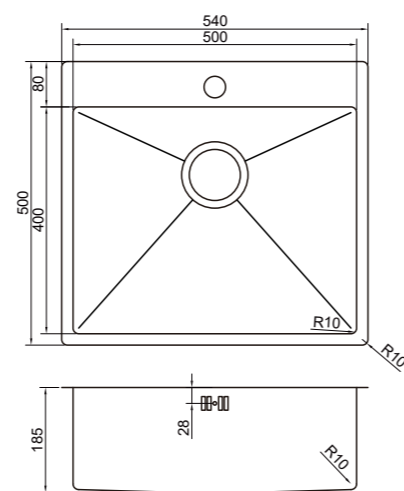
R0/R10/R15
 ◆ MODEL:HS34FD
 ◆ SIZE: 740*500*185 mm
 ◆ Thickness: 1.0/1.2mm



R0/R10/R15
 ◆ MODEL:HS45F
 ◆ SIZE: 490*500*185 mm
 ◆ Thickness: 1.0/1.2mm



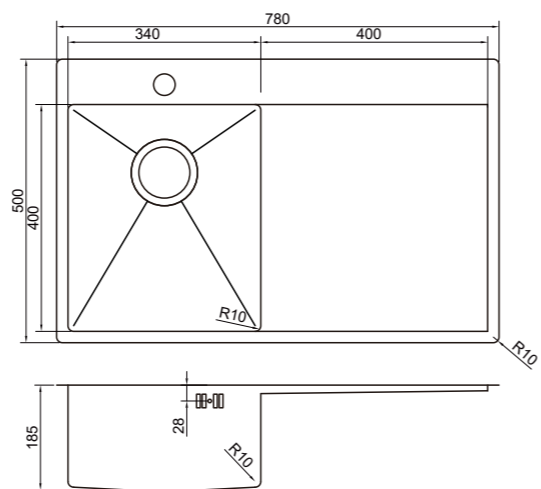
R0/R10/R15
 ◆ MODEL:HS3418FBL/FBR
 ◆ SIZE: 580*500*185 mm
 ◆ Thickness: 1.0/1.2mm



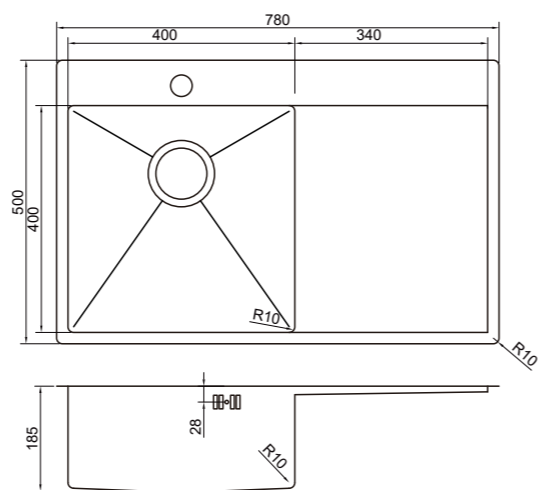
R0/R10/R15
 ◆ MODEL:HS50F
 ◆ SIZE: 540*500*185 mm
 ◆ Thickness: 1.0/1.2mm



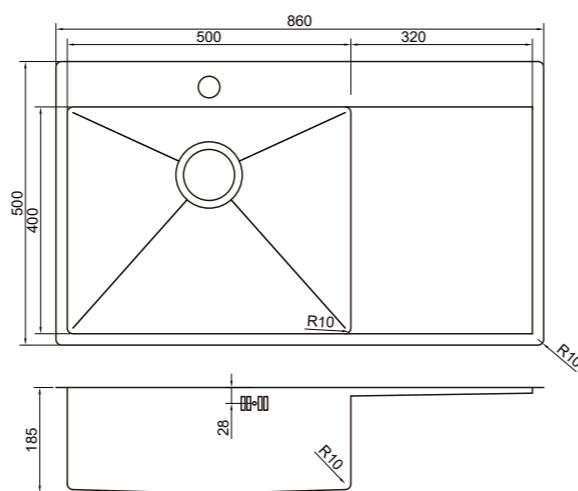
Topmount



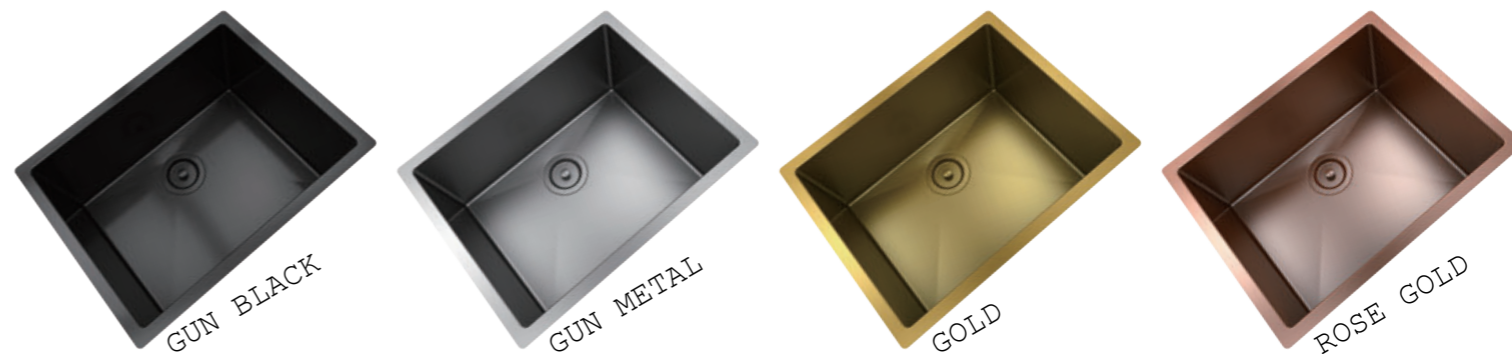
R0/R10/R15
 ◆ MODEL: HS34DL/DR
 ◆ SIZE: 780*500*185 mm
 ◆ Thickness: 1.0/1.2mm



R0/R10/R15
 ◆ MODEL: HS40DL/DR
 ◆ SIZE: 780*500*185 mm
 ◆ Thickness: 1.0/1.2mm



R0/R10/R15
 ◆ MODEL: HS50DL/DR
 ◆ SIZE: 860*500*185 mm
 ◆ Thickness: 1.0/1.2mm



With Nano-coating & sandblasting



With Nano-coating, No sandblasting



OPTIONAL ACCESSORIES



◆ MODEL: SP-83 (φ114)
 ◆ Material: SUS304
 ◆ FINISH: SATIN/POLISH



◆ MODEL: SP-84 (φ114)
 ◆ Material: SUS304
 ◆ FINISH: SATIN/POLISH



◆ MODEL: STR-D (φ114)
 ◆ Material: SUS304
 ◆ FINISH: SATIN/POLISH



◆ MODEL: SP-61 (φ114)
 ◆ Material: SUS304
 ◆ FINISH: SATIN/POLISH