

XXXX Pol Panel Antenna 698-960/1710-2700/3300-3800/3300-3800MHz 20° 11/12/12/12dBi 0° FET

**Electrical Specifications**

Frequency Range (MHz):	698-960(R1)		1710-2700(Y1)		3300-3800	3300-3800
	698-800	800-960	1710-2200	2200-2700	(P1)	(P2)
Gain (dBi):	10.5±0.5	11.5±0.5	11±0.5	12±0.5	12±0.5	12±0.5
Return Loss (dB):	>14 (VSWR<1.5)					
Polarization:	±45°					
Horizontal 3dB beamwidth (°):	25±5	25±5	25±5	20±5	20±5	20±5
Vertical 3dB beamwidth (°):	65±8	65±8	60±8	60±8	60±8	60±8
Electrical Downtilt (°):	0 Fixed					
Horizontal Sidelobe Suppression : (dB):	≥18	≥18	≥18	≥18	≥18	≥18
Front to Back Ratio (dB):	≥25	≥25	≥25	≥25	≥25	≥25
Cross Polar Ratio 0° (dB):	≥17	≥17	≥17	≥17	≥17	≥17
Isolation Port to Port(dB):	≥23					
Max. Power Per Port (W):	200					
Intermodulation IM3 (dBc):	<-150 (2×43 dBm)				/	
Impedance (ohm):	50					
Lightning Protection:	DC Grounded					
Connector Type:	6×7/16 DIN Female					

**BASTA Electrical Specifications**

Frequency Range(MHz):	698-960	1710-2700	3300-3800
Average Gain by all Beam Tilts (dBi):	11.3	11.7	12.5
Gain by all Beam Tilts Tolerance(dB):	±0.4	±0.7	±0.8
Average Gain by Beam Tilt (dBi):	0°   11.3	0°   11.7	0°   12.5
Horizontal Beamwidth Tolerance(°):	±4	±5	±2
Vertical Beamwidth Tolerance(°):	±2.5	±3.8	±4.3
USLS beampeak to 20° above beampeak(dB):	21.6	20.29	20.38
Front to back Total Power at 180° ± 30°(dB)	28.4	29.33	30.5
CPR at Boresight(dB):	23.9	23.09	23.44
CPR at Sector(dB):	11.2	10.8	10.6

**Mechanical Data**

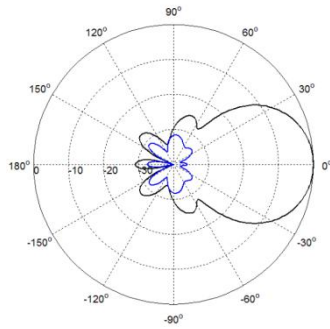
Antenna Dimensions (mm):	806x460x135
Packing Dimensions (mm):	1150x655x205
Antenna Net Weight/Bracket (kg):	11.5/6.2
Antenna Gross Weight (kg):	22
Radome Material:	ASA
Pipe OD (mm):	70-114
Mounting Kits (Included):	BA.K.04.00048, horizontal adjustable -45°-+45°, vertical adjustable-45°-+45°

**Environmental Ratings**

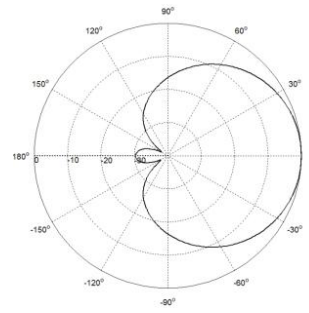
Humidity:	95%RH@+30°C
Temperature (°C):	-40~+70
Wind Load @150 km/h (N):	Frontal/ Lateral/Rearside: 646/705/86
Max. Wind velocity(km/h):	200

# ULVVPX201F0-6P

## Typical Patterns

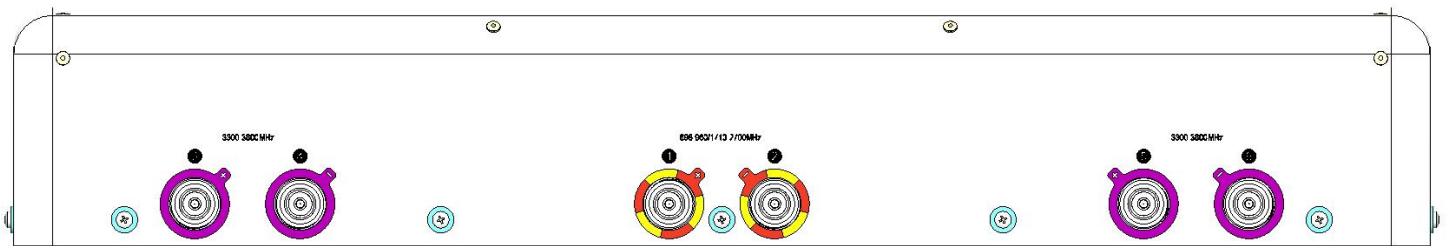


Azimuth



Elevation

## Bottom View



## Correlation Table

Frequency range	Array	Connector
698-2700 MHz	R1/Y1	1-2
3300-3800 MHz	P1	3-4
3300-3800 MHz	P2	5-6

