

XX Pol Panel Antenna 1710-2700/3300-3800MHz 25° 15dBi 0° FET**Electrical Specifications**

Frequency Range (MHz):	1710-2700(Y1)	3300-3800(P1)
Gain (dBi):	15±0.5	15±0.5
Return Loss (dB):	>14(VSWR<1.5)	
Polarization:	±45°	
Horizontal 3dB Beamwidth (°):	25±6	25±6
Vertical 3dB Beamwidth (°):	25±6	25±6
Electrical Downtilt (°):	0	
Upper Sidelobe Suppression (dB):	>20	>20
Front to Back Ratio (dB):	>25	>25
Cross Polar Ratio 0° (dB):	>20	>20
Isolation Port to Port (dB):	>25	
Intermodulation IM3 (dBC):	<-150 (2×43 dBm)	
Power Rating (W):	150	
Impedance (ohm):	50	
Lightning Protection:	DC Grounded	
Connector Type:	2×7/16 DIN Female	

BASTA Electrical Specifications

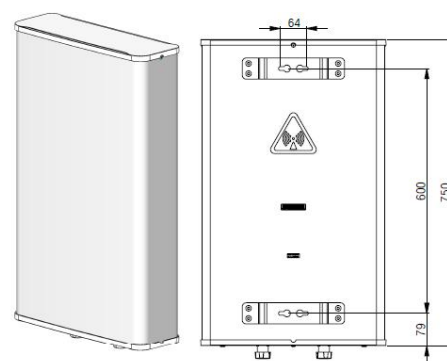
Frequency Range(MHz):	1710-2700	3300-3800
Average Gain by all Beam Tilts (dBi):	16.86	15.91
Gain by all Beam Tilts Tolerance(dB):	±1.75	±1.44
Average Gain by Beam Tilt (dBi):	0° 16.86	0° 15.91
Horizontal Beamwidth Tolerance(°):	±6.03	±1.35
Vertical Beamwidth Tolerance(°):	±5.7	±1.6
USLS beampeak to 20° above beampeak(dB):	32.56	26.61
Front to back Total Power at 180° ± 30°(dB)	28.13	27.16
CPR at Boresight(dB):	25.56	21.2

Mechanical Data

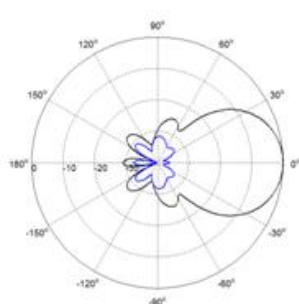
Antenna Dimensions (mm):	750×448×145
Packing Dimensions (mm):	1115×515×190
Antenna Net Weight/Bracket (kg):	9.5/5.7
Antenna Gross Weight (kg):	13.5
Radome Material:	Fiberglass
Pipe OD (mm):	70-114
Mounting Kits (Included):	BA.K.04.00011, Adjustable Downtilt 0-20°

Environmental Ratings

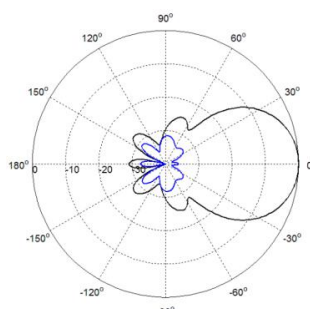
Humidity:	95%RH@+30°C
Temperature (°C):	-40~+70
Wind Load @150 km/h (N):	Frontal/Lateral/Rearside: 435/57/483
Max.Wind velocity(km/h)	200



Typical Patterns

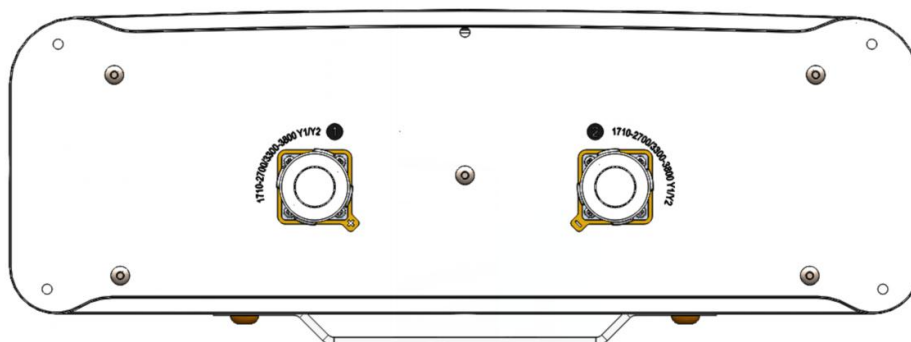


Azimuth



Elevation

Bottom View



Correlation Table

Frequency range	Array	Connector
3300-3800MHz	P1	1-2
1710-2700MHz	Y1	1-2

