

X Pol Panel Antenna 1710-2690MHz 33° 14dBi 0° Fixed Tilt 4.3-10 Connector**Electrical Specifications**

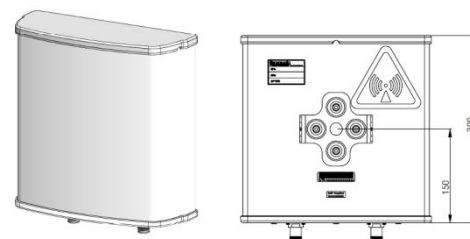
Frequency Range (MHz):	1710-2690		
	1710-2170	2300-2500	2500-2690
Gain (dBi):	13.5±0.5	14.0±0.5	14.5±0.5
Return Loss (dB):	>14 (VSWR<1.5)		
Polarization:	±45°		
Horizontal 3dB beamwidth (°):	37	30	25
Vertical 3dB beamwidth (°):	37	30	25
Electrical Downtilt (°):	0 Fixed		
Horizontal Sidelobe(dB):	20	20	20
1 st Upper Sidelobe Suppression(dB):	20	20	20
Front to Back Ratio @180±30°(dB):	27	27	27
Cross Polar Ratio 0° (dB):	17	17	17
Cross Polar Ratio ±30° (dB):	10	10	8
Isolation Port to Port (dB):	>27		
Max. Power Per Port (W):	200		
Intermodulation IM3 (dBC):	<-150 (2×43 dBm)		
Impedance (ohm):	50		
Lightning Protection:	DC Grounded		
Connector Type:	2×4.3-10Female		

BASTA Electrical Specification

Frequency Range(MHz):	1710-2170	2300-2500	2500-2690
Average Gain by all Beam Tilts(dBi):	13.4	13.8	14.4
Gain by all Beam Tilts Tolerance(dB):	±0.3	±0.2	±0.2
3dB Horizontal Beamwidth Tolerance(°):	±4.2	±1.5	±1.5
3dB Vertical Beamwidth Tolerance(°):	±3.7	±3.5	±1.5
Upper Side Lobe Suppression, Peak to 20°(dB):	22	21.5	19.5
Front to back Total Power at 180° ± 30°(dB):	26	29	27
CPR at Boresight(dB):	25	24.5	22.5
Cross Polar Ratio ±30° (dB):	13	12	6

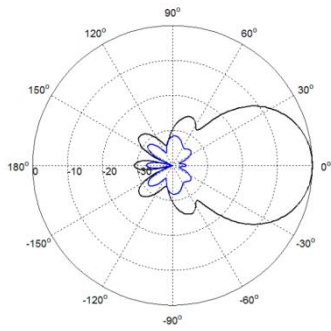
Mechanical Data

Antenna Dimensions (mm):	300×300×115
Packing Dimensions (mm):	535×395×220
Antenna Net Weight/Bracket (kg):	3.3/2.6
Antenna Gross Weight (kg):	8.3
Radome Material:	Fiberglass
Pipe OD (mm):	70-100
Mounting Kits (Included):	BA.K.04.00033, Horizontal adjustable±35°, Vertical adjustable±45°

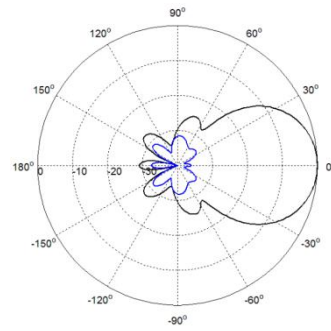
**Environmental Ratings**

Humidity:	95%RH@+30°C
Temperature (°C):	-40~+70
Wind Load @150 km/h (N):	Frontal/Lateral/Rearside: 143/24/167
Max. Wind velocity(km/h):	200

Typical Patterns

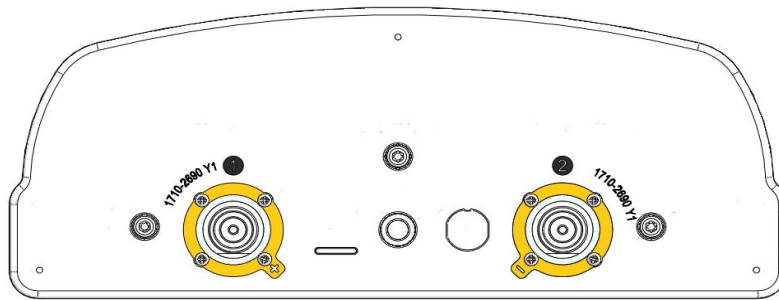


Azimuth



Elevation

Bottom View



Correlation Table

Frequency range	Array	Connector
1710-2690 MHz	Y1	1-2

