

Product Data Sheet

LLPX306P-2C



XX Pol Panel Antenna 2×1710-2690MHz 65° 15dBi 2°-12° Replaceable RET

Electrical Specifications

Frequency Range (MHz):	2×1710-2690(Y1,Y2)		
	1710-2170	2300-2490	2490-2690
Gain (dBi):	13.8±0.5	14.5±0.5	14.8±0.5
Return Loss (dB):	>14 (VSWR<1.5)		
Polarization(°):	±45		
Horizontal 3dB Beamwidth (°):	68	63	58
Vertical 3dB Beamwidth (°):	15.5	12.5	11.5
Electrical Downtilt (°):	2-12 Independently Continuously Adjustable		
RET Type:	RET Cascade SRET, AISG 2.0, Upgradeable		
1 st Upper Sidelobe Suppression (dB):	15	15	15
Front to Back Ratio (dB):	>25	>25	>25
Cross Polar Ratio 0° (dB):	15	15	15
Cross Polar Ratio ±60° (dB):	>10	>8	>8
Isolation Port to Port(dB):	>25		
Impedance (ohm):	50		
Intermodulation IM3 (dBC):	<-150 (2×43dBm)		
Max. Power Per Port (W):	200		
Lightning Protection:	DC Grounded		
Connector Type:	4×4.3-10 Female		

BASTA Electrical Specifications

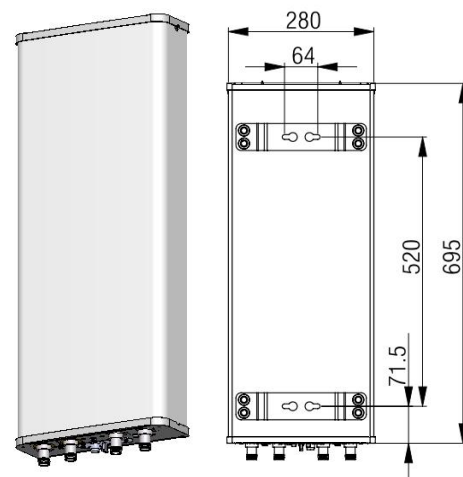
Frequency Range(MHz):	1710-2690(Y1,Y2)		
	1710-2170	2300-2490	2490-2690
Average Gain by Beam Tilts (dBi):	2° 14.02	2° 14.26	2° 14.46
	7° 13.85	7° 14.05	7° 14.18
	12° 13.57	12° 13.74	12° 13.93
Gain by all Beam Tilts Tolerance(dB):	±0.43	±0.50	±0.56
Horizontal BeamwidthTolerance(°):	±4.72	±5.11	±3.84
Vertical Beamwidth Tolerance(°):	±0.35	±0.24	±0.24
Upper Side Lobe Suppression, Peak to 20°(dB):	15.13	15.42	15.06
Front to back Total Power at 180° ± 30°(dB)	25.07	28.42	26.80
CPR at Boresight(dB):	20.14	17.56	18.38

Mechanical Data

Antenna Dimensions (mm):	695×280×90
Packing Dimensions (mm):	1015×365×185
Antenna Net Weight/Bracket (kg):	7.5/3.65
Antenna Gross Weight (kg):	13.5
Radome Material:	Fiberglass
Pipe OD (mm):	50-115
Mounting Kits (Included):	BA.K.04.00069501, Adjustable Downtilt 0°-30°

Environmental Ratings

Humidity:	95%RH@+30°C
Temperature (°C):	-40~+70
Wind Load @150 km/h (N):	Frontal/Lateral/Rearside: 245/39/279
Max.Wind velocity(km/h):	200



Product Data Sheet

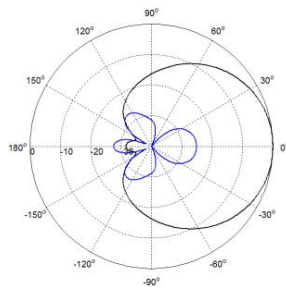
LLPX306P-2C



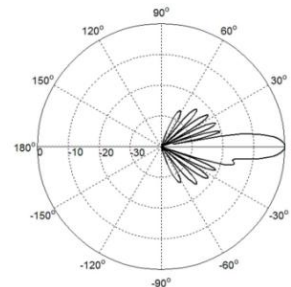
Internal RET Specifications

RET type:	Replaceable RET
RET protocol:	AISG2.0 /3GPP
Input voltage range(V):	10-30 DC
Power consumption(W):	< 5 (motor activated, single RET) < 1 (standby, single RET), < 1.5 (standby, 12V)
Adjustment time (full range) (s):(s):	< 120 (typically, depending on antenna type)
RET connector:	1 pair of AISG 5 pin male & female
Pin assignment according AISG:	8 pin circular connector conforming to IEC 60130-9 - Ed. 3.0
Lightning protection (kA):	5 (8/20 μ s Differential mode), 8 (8/20 μ s Common mode)

Typical Patterns

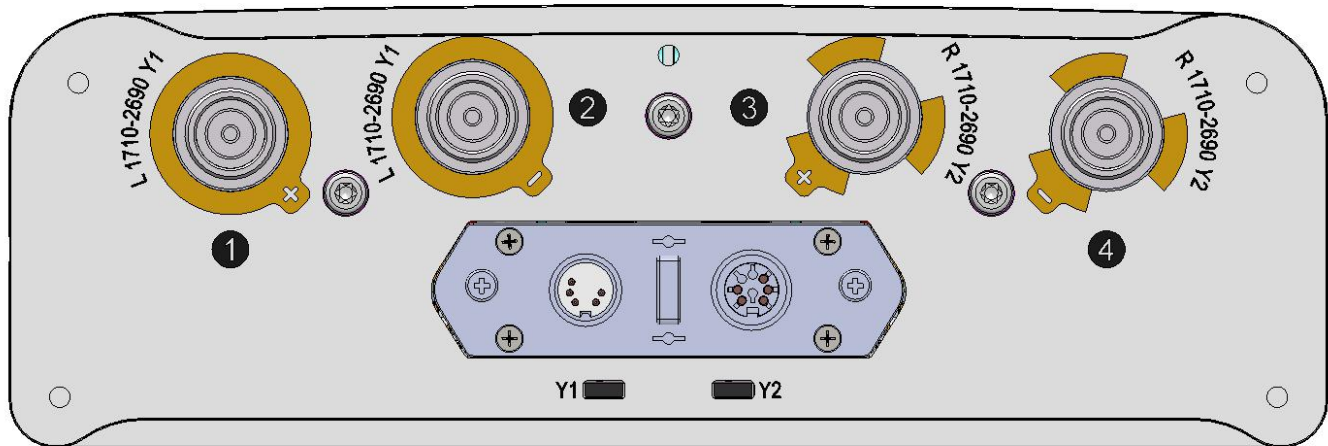


Azimuth



Elevation

Bottom View



Correlation Table

Frequency range	Array	Connector	RET S/N
1710–2690 MHz	Y1	1-2	BRxxx.....1Y1
1710–2690 MHz	Y2	3-4	BRxxx.....2Y2

