

XX Pol Panel Antenna 1710-2690/1710-2690MHz 65°/65° 15/15dBi 0° FET 4.3-10 Connector

Electrical Specifications

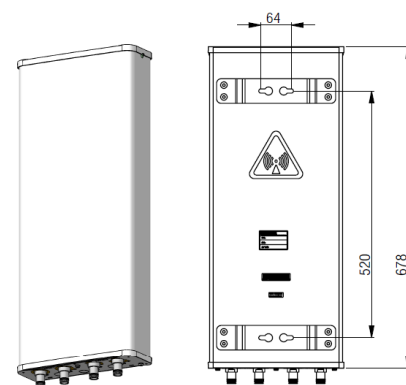
Frequency Range (MHz):	2×1710-2690(Y1,Y2)				
	1710-1880	1880-2025	2025-2170	2300-2500	2500-2690
Gain (dBi):	14.2±0.5	14.5±0.5	14.8±0.5	15.0±0.5	15.2±0.5
Return Loss (dB):	>14 (VSWR<1.5)				
Polarization (°):	±45				
Horizontal 3dB Beamwidth (°):	68	66	65	64	62
Vertical 3dB Beamwidth (°):	13.5	13.0	12.5	10.5	10
Electrical Downtilt (°):	0				
Front to Back Ratio (dB):	≥23				
Cross Polar Ratio 0°(dB):	>15				
Cross Polar Ratio ±60°(dB):	>10				
Isolation Port to Port (dB):	≥25				
Max. Power Per Port (W):	150				
Intermodulation IM3 (dBc):	<-150 (2×43 dBm)				
Lightning Protection:	DC Grounded				
Connector Type:	4×4.3-10 Female				

BASTA Electrical Specifications

Frequency Range(MHz):	2×1710-2690(Y1,Y2)				
	1710-1880	1880-2025	2025-2170	2300-2500	2500-2690
Average Gain by all Beam Tilts (dBi):	14.5	15.2	15.3	15.6	15.4
Gain by all Beam Tilts Tolerance(dB):	±0.18	±0.12	±0.35	±0.19	±0.41
Horizontal Beamwidth Tolerance(°):	±5.6	±3.5	±3.9	±3.7	±2.7
Vertical Beamwidth Tolerance(°):	±0.66	±0.72	±0.81	±0.75	±0.21
Front to back Total Power at 180° ± 30°(dB) :	25.6	25.4	25.0	28.6	26.1
CPR at Boresight(dB):	20.4	19.1	18.1	26.3	21.3

Mechanical Data

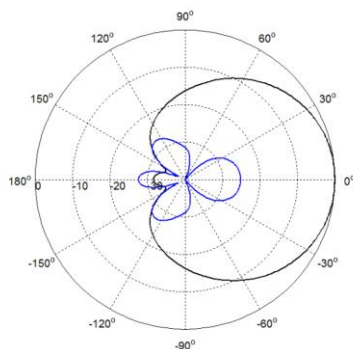
Antenna Dimensions (mm):	678×280×90
Packing Dimensions (mm):	1046×380×150
Antenna Net Weight/Bracket (kg):	5.9/5.7
Antenna Gross Weight (kg):	13.5
Radome Material:	Fiberglass
Pipe OD (mm):	60-100
Mounting Kits (Included):	BA.K.04.00011, Adjustable Downtilt 0-24°



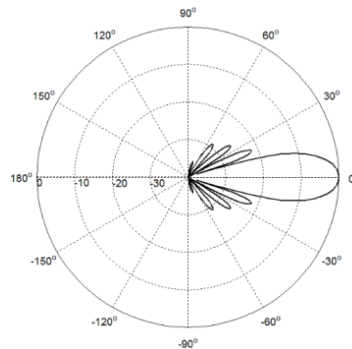
Environmental Ratings

Humidity:	95%RH@+30°C
Temperature (°C):	-40~+70
Wind Load @150 km/h (N):	Frontal/Lateral/Rearside: 313/42/357

Typical Patterns

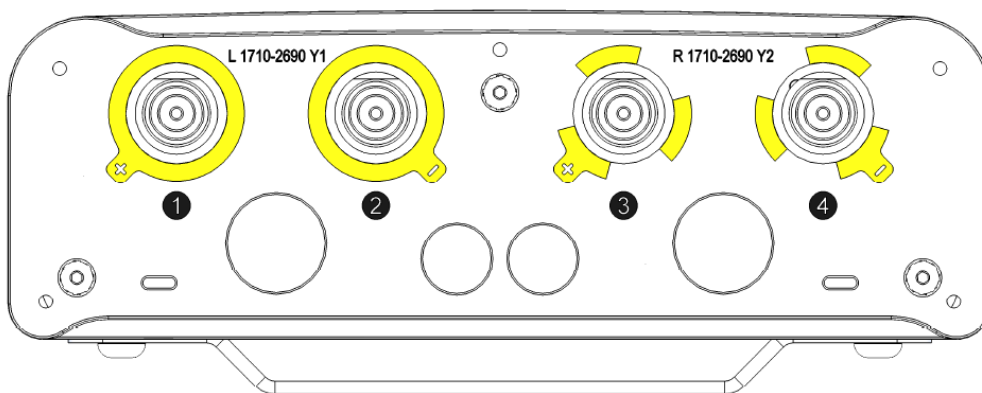


Azimuth



Elevation

Bottom View



Correlation Table

Frequency range	Array	Connector
1710–2690 MHz	Y1	1-2
1710–2690 MHz	Y2	3-4

