

XX Pol Panel Antenna 1710-2690/1710-2690MHz 65°/65° 12/12dBi 6° FET

Electrical Specifications

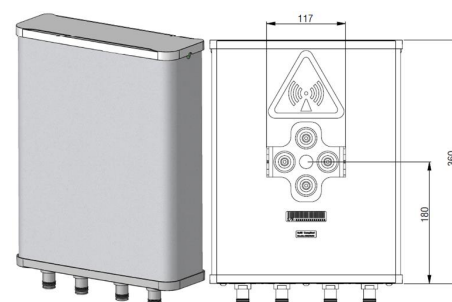
| | | | | | |
|-------------------------------|------------------|-----------|-----------|-----------|-----------|
| Frequency Range (MHz): | 1710-1880 | 1880-2025 | 2025-2170 | 2300-2500 | 2500-2690 |
| Gain (dBi): | 11.0±0.5 | 11.2±0.5 | 11.5±0.5 | 11.8±0.5 | 12.0±0.5 |
| Return Loss (dB): | >14 (VSWR<1.5) | | | | |
| Polarization (°): | ±45 | | | | |
| Horizontal 3dB Beamwidth (°): | 68 | 66 | 65 | 64 | 62 |
| Vertical 3dB Beamwidth (°): | 27 | 24 | 22 | 19 | 18 |
| Electrical Downtilt (°): | 6 | | | | |
| Front to Back Ratio (dB): | ≥23 | | | | |
| Cross Polar Ratio 0°(dB): | >15 | | | | |
| Cross Polar Ratio ±60°(dB): | >10 | | | | |
| Isolation Port to Port (dB): | ≥25 | | | | |
| Power Rating (W): | 150 | | | | |
| Intermodulation IM3 (dBc): | <-150 (2×43 dBm) | | | | |
| Lightning Protection: | DC Grounded | | | | |
| Connector Type: | 4x4.3-10 Female | | | | |

BASTA Electrical Specifications

| | | | | | |
|---|-----------|-----------|-----------|-----------|-----------|
| Frequency Range(MHz): | 1710-1880 | 1880-2025 | 2025-2170 | 2300-2500 | 2500-2690 |
| Average Gain by all Beam Tilts (dBi): | 11.2 | 11.4 | 11.6 | 11.8 | 12.1 |
| Gain by all Beam Tilts Tolerance(dB): | ±0.58 | ±0.65 | ±0.38 | ±0.46 | ±0.61 |
| Horizontal Beamwidth Tolerance(°): | ±4.5 | ±5.2 | ±2.9 | ±3.6 | ±4.2 |
| Vertical Beamwidth Tolerance(°): | ±0.4 | ±0.75 | ±1.32 | ±0.54 | ±0.73 |
| Front to back Total Power at 180° ± 30°(dB) | 23.2 | 23.6 | 24.3 | 23.1 | 24.8 |
| CPR at Boresight(dB): | 18.7 | 18.5 | 18.9 | 18.6 | 18.5 |

Mechanical Data

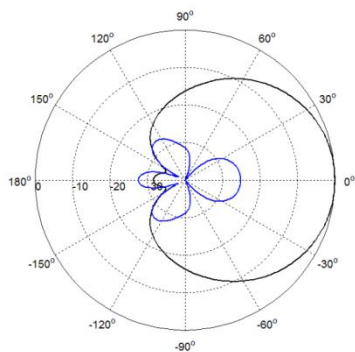
| | |
|----------------------------------|---|
| Antenna Dimensions (mm): | 360×280×90 |
| Packing Dimensions (mm): | 630×312×196 |
| Antenna Net Weight/Bracket (kg): | 3.4/2.6 |
| Antenna Gross Weight (kg): | 6.6 |
| Radome Material: | Fiberglass |
| Pipe OD (mm): | 60-100 |
| Mounting Kits (Included): | BA.K.04.00033, horizontal adjustable -35°~+35°, vertical adjustable-45°~+45° |



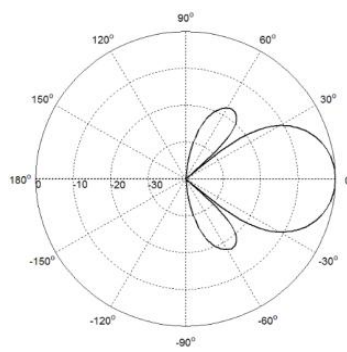
Environmental Ratings

| | |
|--------------------------|--------------------------------------|
| Humidity: | 95%RH@+30°C |
| Temperature (°C): | -50~+80 |
| Wind Load @150 km/h (N): | Frontal/Lateral/Rearside: 162/21/184 |

Typical Patterns

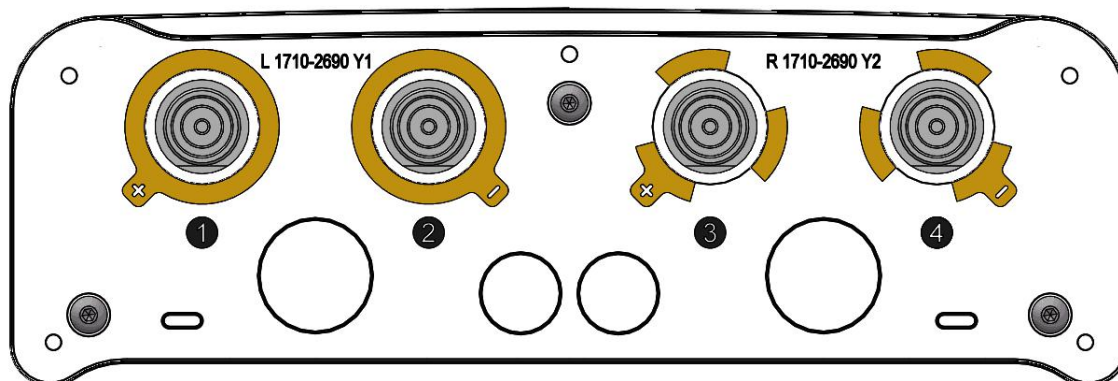


Azimuth



Elevation

Bottom View



Correlation Table

| Frequency range | Array | Connector |
|-----------------|-------|-----------|
| 1710–2690 MHz | Y1 | 1-2 |
| 1710–2690 MHz | Y2 | 3-4 |

