

XX Pol Panel Twin Beam Antenna 2x1710-2170MHz 35° 20dBi 0°-10° Replaceable RET**Electrical Specifications**

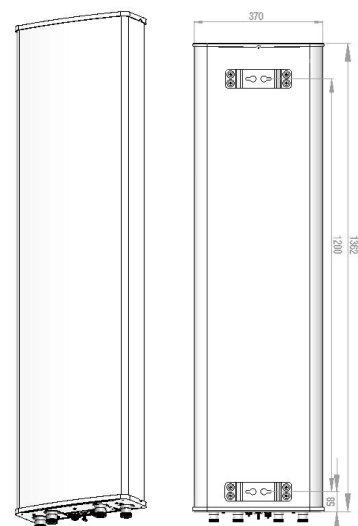
Frequency Range (MHz):	1710-2170(B1,B2)								
	1710-1880			1880-2025			2025-2170		
Gain (dBi):	18.5±0.5			18.8±0.5			19.7±0.5		
Return Loss (dB):	>14 (VSWR<1.5)								
Polarization:	±45°								
Horizontal 3dB Beamwidth (°):	2x37			2x32			2x29		
Horizontal Beam Pointing (°)	-30, +30			-27, +27			-25, +25		
Vertical 3dB Beamwidth (°):	8.7			8.0			7.5		
Electrical Downtilt (°):	0-10 Independently Continuously Adjustable								
1 st Upper Sidelobe Suppression(dB):	0°	5°	10°	0°	5°	10°	0°	5°	10°
	17	16	15	17	16	15	17	16	15
Front to Back Ratio(dB):	25			25			25		
Horizontal Sidelobe Suppression(dB):	12			12			12		
Polarizations Isolation(dB) :	>28								
Max. Power Per Port (W):	200								
Intermodulation IM3 (dBc):	<-150(2x43 dBm)								
Impedance (ohm):	50								
Lightning Protection:	DC Grounded								
Connector Type:	4x7/16 DIN Female								

BASTA Electrical Specification

Frequency Range(MHz):	1710-2170		
	1710-1880	1880-2025	2025-2170
Average Gain by all Beam Tilts(dBi):	17.5	18.1	19.2
Gain by all Beam Tilts Tolerance(dB):	±0.8	±1.0	±0.9
Average Gain by Beam Tilt (dBi):	0° 175	0° 187	0° 196
	5° 176	5° 184	5° 197
	10° 173	10° 181	10° 186
3dBHorizontal Beamwidth Tolerance(°):	±2.5	±2.9	±1.4
3dBVertical Beamwidth Tolerance(°):	±1.7	±1.5	±1.5
Upper Side Lobe Suppression, Peak to 20°(dB):	11	14	13
Front to back Total Power at 180° ± 30°(dB):	26	26	27
CPR at Boresight(dB):	12	12	13

Mechanical Data

Antenna Dimensions (mm):	1362×370×124
Packing Dimensions (mm):	1680×435×200
Antenna Net Weight/Bracket (kg):	16/5.9
Antenna Gross Weight (kg):	25
Radome Material:	Fiberglass
Pipe OD (mm):	50-115
Mounting Kits (Included):	BA.K.04.00069141, Adjustable Downtilt 0°-18°



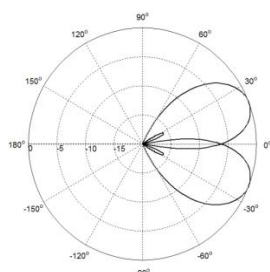
Environmental Ratings

Humidity:	95%RH@+30°C
Temperature (°C):	-40~+70
Wind Load @150 km/h (N):	Frontal/Lateral/Rearside:720/88/588
Max.Wind velocity(km/h):	200

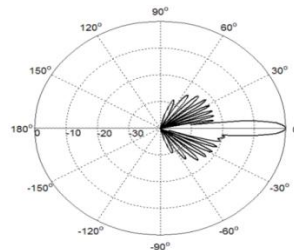
Internal RET Specifications

RET type:	Replaceable RET
RET protocol:	AISG 2.0 /3 GPP
Input voltage range (V):	10-30 DC
Power consumption(W):	< 5 (motor activated, single RET) < 1 (stand by, single RET), < 1.5 (stand by, 12V)
Adjustment time (full range): (s):	< 120 (typically, depending on antenna type)
RET connector:	1 pair of AISG 5 pin male & female
Pin assignment according AISG:	8 pin circular connector conforming to IEC 60130-9 - Ed. 3.0
Lightning protection (kA):	5 (8/20 μs Differential mode), 8 (8/20 μs Common mode)

Typical Patterns

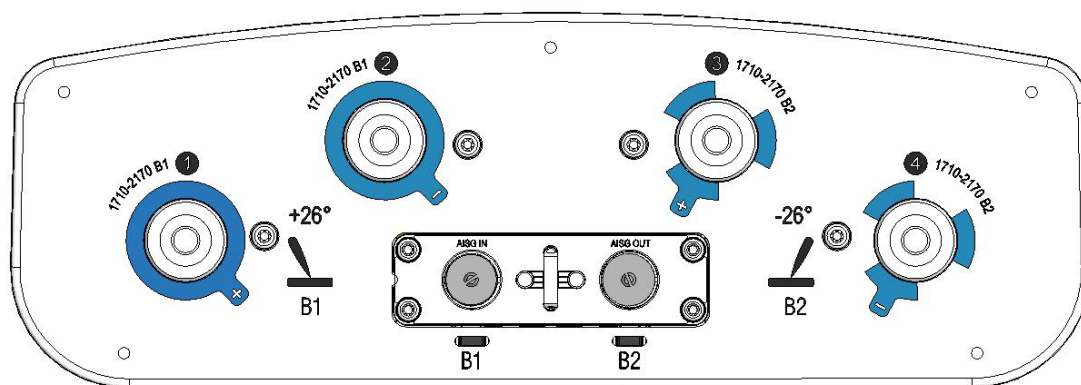


Azimuth



Elevation

Bottom View



Correlation Table

Frequency range	Array	Connector	RET S/N
1710-2170MHz	B1	1-2	BRxxx.....1B1
1710-2170 MHz	B2	3-4	BRxxx.....2B2

