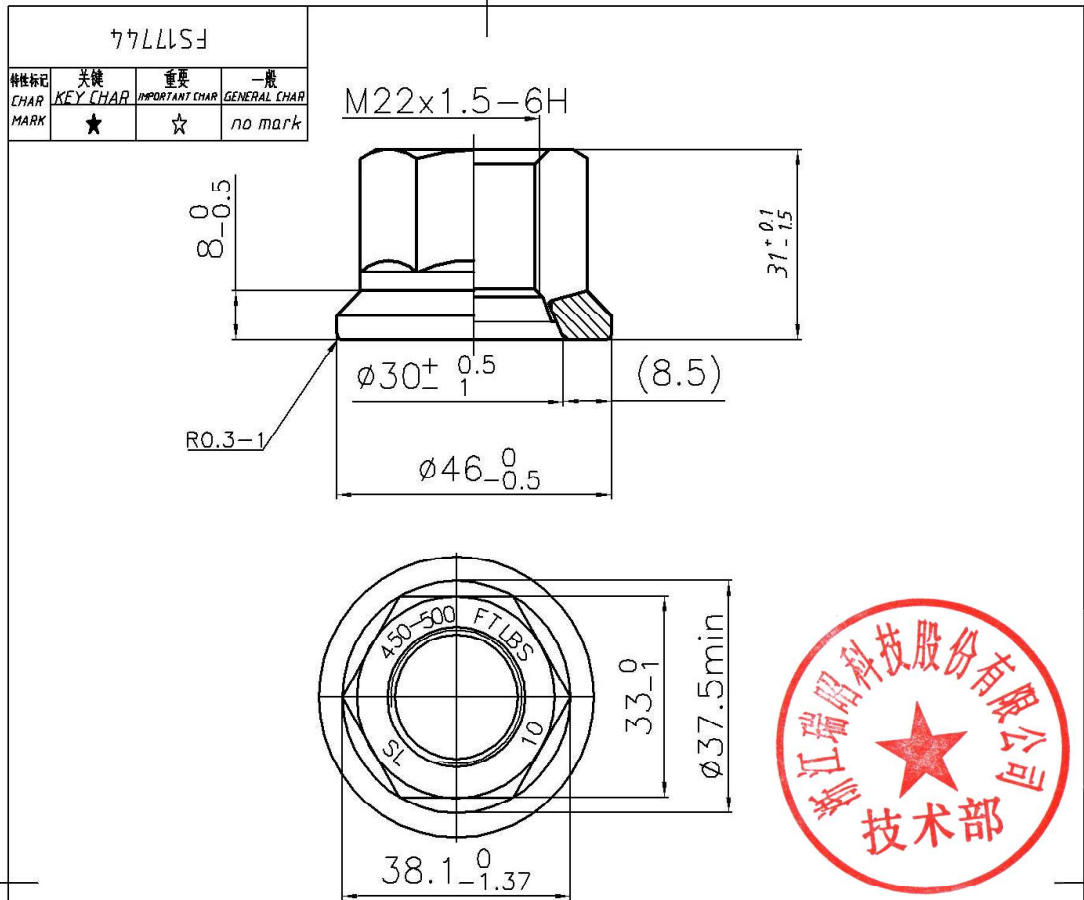


Engineering Drawing

(Scan copy of blue print, must be readable)



NOTES

1. Nut & washer assembly shall be free from burrs, laops, seams, loose scale and other defects that might affect their serviceability
2. Washer must rotate freely after assembly and withstand 50LBS separation force
3. Dimensions and tolerances per SAE-J694
- ★ 4. Surface finishing : Must pass 72h salt spray test with no red rust per ASTM B-117
Must pass 200h salt spray test with less than 5% surface with red rust per ASTM B-117
5. Final proof load to be (62,100 LBS(276.2KN)) per SAE-J1965

2		螺母 Nut	1	40Cr/GB/T3077-2015	26-34HRC
1		垫圈 Washer	1	40Cr/GB/T3077-2015	28-34HRC
SN	PART NO.	PART NAME	QTY	RAW MATERIAL	Note

主机厂及车型					产品名称 TITLE	客户图号 CUSTOMER PART NUMBER
外贸事业部					M22X1.5 SWIVEL	17744
图纸来源					FLANGE WHEEL NUT	产品图号 DRAWING NUMBER
标准整理						FS17744
引用标准	标记处数	修订记录	更改文件号	签字	日期	阶段标记 Stage mark
	制图		工艺会签			单重 (g) Unit weight
	校对		标准化			0.42 lbs (0.191kgs)
	审核		批准			比例 SCALE
					材料名称 RAW MATERIAL	2:1
					see above	版本号 VERSION NO. A
						投影标记 PROJECTION MARK
						共 1 页 PAGE 1 OF 1
						SNLON® 瑞昭科技股份有限公司
						ZHEJIANG RUIZHAO TECHNOLOGY CO., LTD