

3 Stage Ethanol Flame

Model AF66

--68cm long



Creat Your Unique Fire Space From Here...

Art Fireplace Technology Limited.

PROFESSIONAL INTELLIGENT FIREPLACE MANUFACTURER

Official Website: www.art-fire.com

www.art-fireplace.com

E-mail: info@art-fireplace.com

**Address: FLAT/RM 705,7/F,FA YUEN COMM BLDG NO.75,FA YUEN
STREET,MONG KOK,KLN,HK**

TECHNICAL DATA: AF66

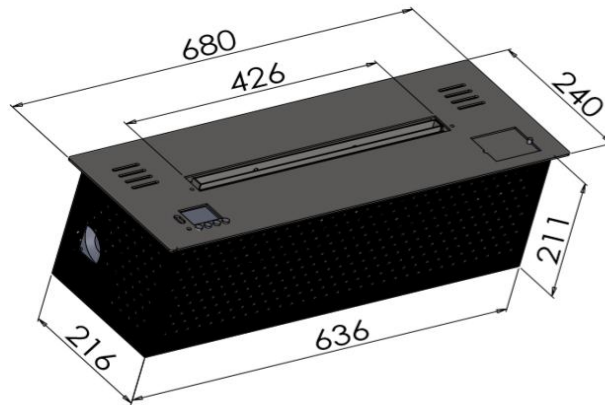
Remote controlled Ethanol Burner (68 cm 26.77 in)

Flame 42.6 cm (16.77 in) width

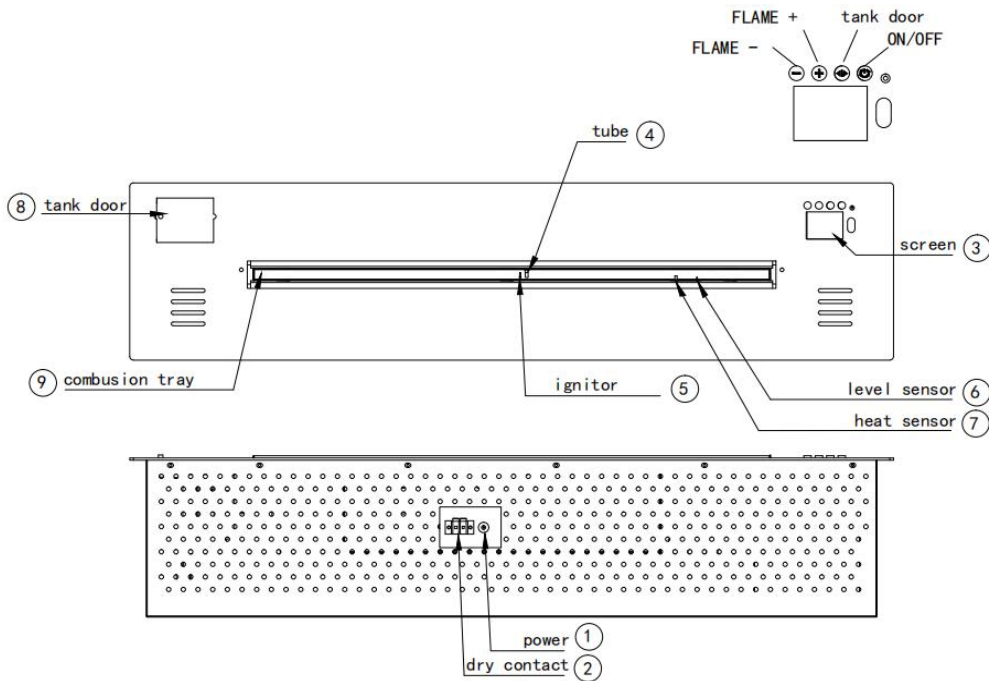
Electronic ignition and security detectors

2. DIMENSIONS OF THE BURNER

AF66



In:mm



- 1, Before connecting electronic power to the burner, close the tank door well.
- 2, Connect electronic power to the burner, then wait 3 second, and then operate the burner.
- 3, If you want to turn on the burner, keep pressing the On/Off button 5 seconds or press the remote controller.

TECHNICAL DATA: AF66

Remote controlled Ethanol Burner (68 cm 26.77 in)

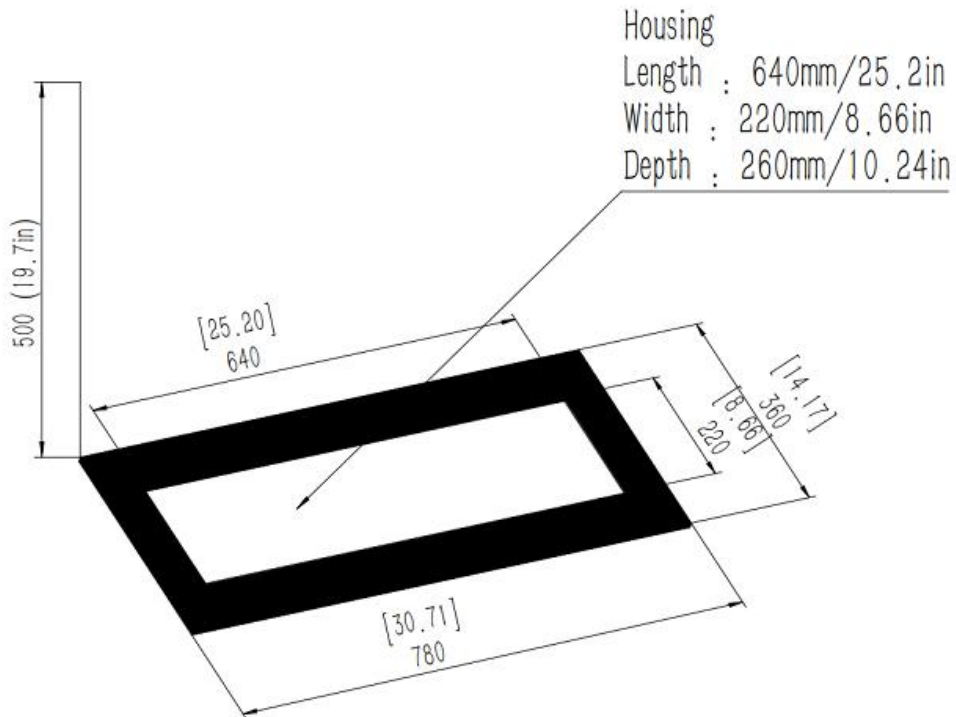
Flame 42.6 cm (16.77 in) width

Electronic ignition and security detectors

3. MINIMUM DIMENSIONS OF SAFETY

Minimum dimensions of safety with non-flammable materials

Above: 50 cm 19.7 inches. Edges: 7 cm 2.75 inches. Back side: 7cm 2.75 inches.



4. OPERATING PROCEDURE

<1>Power supply



Connect the provided 12V adapter

TECHNICAL DATA: AF66

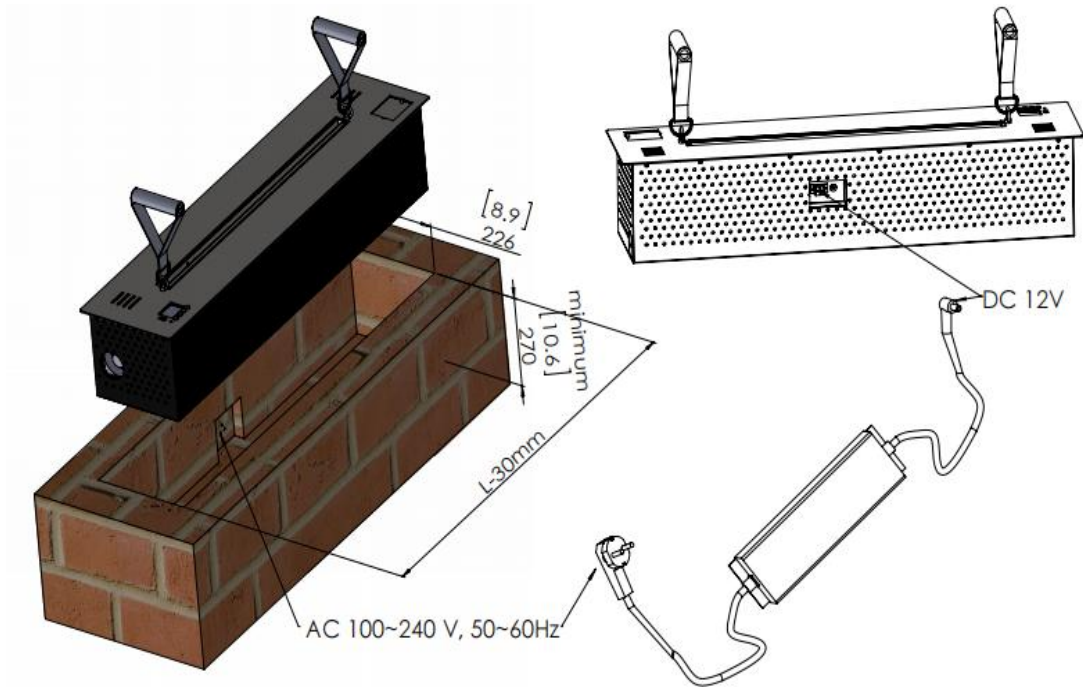
Remote controlled Ethanol Burner (68 cm 26.77 in)

Flame 42.6 cm (16.77 in) width

Electronic ignition and security detectors

<2>Installation

Insert the ethanol burner

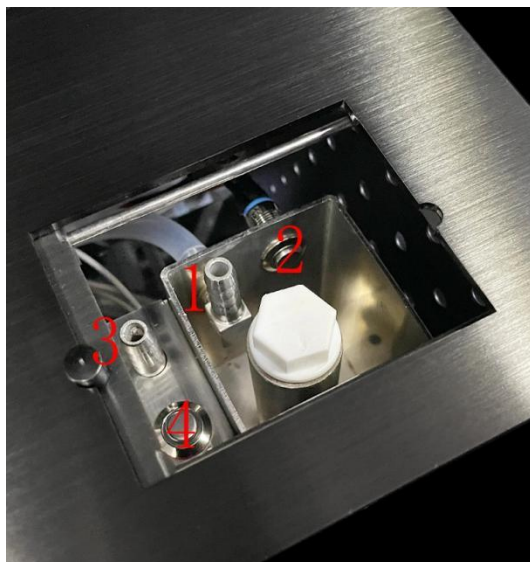


<3>Add FUEL And WATER into The Tanks:

Use only bio ethanol 95 – 97% and Pure Water

Press on the tank door button or the remote controller to unlock the tank door.

Then open the door immediately, fill the tank with fuel and water.



Automatic Injection Function:

Use a plastic tube to connect the burner **1** and the external ethanol tank.

Keep pressing the button **2** three seconds, the light will turn blue and the ethanol will be pumped into ethanol tank.

When ethanol tank is full, the automatic injection will stop and the light will turn off.

Use a plastic tube to connect the burner **3** and the external water tank.

Keep pressing the button **4** three

seconds, the light will turn blue and the water will be pumped into water tank.

When water tank is full, the injection will stop and the light will turn off.

Pull out the plastic tube and Close the tank door well.

After 5 seconds the door will be automatically locked.

Manual Injection Function:



Press This Button to open the door of the tank

Attention: Never fill the burner directly or fill the ethanol tank.

5. Remote Controller



1, Press The button  to turn On/Off the device.

If there is no ethanol and water in the device, device can not work.

2, Press The button  to Unlock the Tank Door, then open the door immediately.

Open the tank door to add ethanol and water into the tanks.

3, Press The button  to High Flame Mode.

Flame Level from 1-2-3 stage

4, Press The button  to Low Flame Mode.

Flame Level from 3-2-1 stage

5, Timer Mode 2h/4h/6h/8h Timer

Press  button, 2 hours later device will turn off. Press  again to cancel.



☺



U.S.: Federal
Communications
Commission (FCC)

☺



Canada: Industry
Canada (IC)



Japan: Ministry of Internal
Affairs and
Communications (MIC)



Korea: Korea
Certification (KC)



Europe: Conformance
Europeenne (CE)

Art Fireplace Technology Limited.

PROFESSIONAL INTELLIGENT FIREPLACE MANUFACTURER

Official Website: www.art-fire.com / www.art-fireplace.com

Follow Us: <https://www.facebook.com/artfireplace>

<https://www.youtube.com/@artfireplace>