



**SpolarPV**  
Easy Invest, More Returns

# SPHM6-78L 435-455 Watt

## MONO CRYSTALLINE MODULE

- SP435HM6-78L
- SP440HM6-78L
- SP445HM6-78L
- SP450HM6-78L
- SP455HM6-78L

**20.85%**

Module efficiency



Product warranty

**455 W**

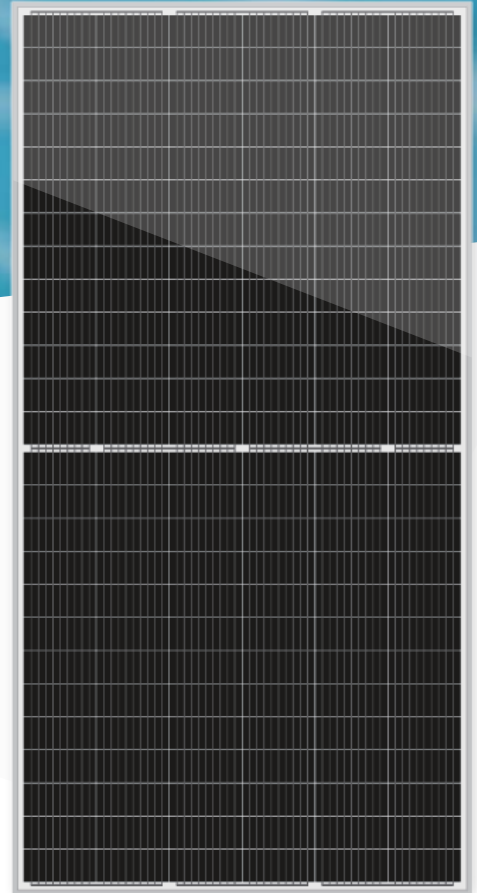
Highest power output



Linear power warranty

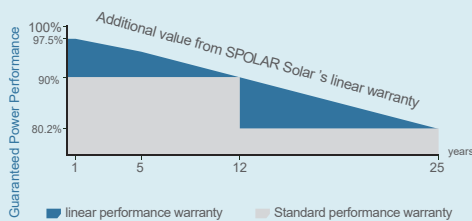
**0 ~ +5 W**

Positive power tolerance



### Key Features

#### Linear Performance Warranty



#### High Efficiency

Higher module conversion efficiency benefit from Passivated Emitter Rear Contact (PERC) technology.



#### PID Resistant

Excellent Anti-PID performance guarantee limited power degradation for mass production.



#### Low-light Performance

Advanced glass and cell surface texture design ensure excellent performance in low light environment.



#### Severe Weather Resilience

Certified to withstand: wind load (2400 Pascal) and snow load (5400 Pascal).



#### Durability against extreme environmental conditions

High salt mist and ammonia resistance.



ISO9001:2016 ISO14001:2016  
OHSAS18001:2011 certified factory.  
IEC61215 IEC61730 certified products.



[www.spolarpv.com](http://www.spolarpv.com)

## Electrical Characteristics at Standard Test Conditions (STC)

Module Type	SP435HM6-78L	SP440HM6-78L	SP445HM6-78L	SP450HM6-78L	SP455HM6-78L
Maximum Power -Pmax (W)	435	440	445	450	455
Maximum Power Voltage - Vmp (V)	44.50	44.87	45.18	45.76	45.97
Maximum Power Current - Imp (A)	9.78	9.81	9.85	9.83	9.89
Open-circuit Voltage - Voc (V)	52.73	53.00	53.31	54.02	55.47
Short-circuit Current - Isc (A)	10.40	10.44	10.48	10.67	10.71
Module Efficiency STC (%)	19.93%	20.16%	20.39%	20.62%	20.85%

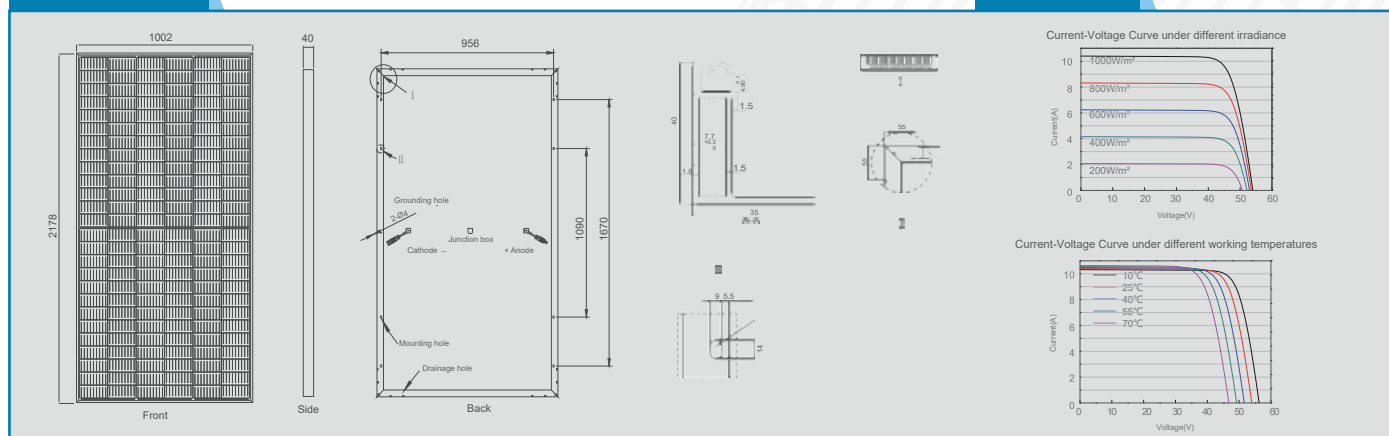
## Electrical Characteristics at Normal Operating Cell Temperature (NOCT)

Module Type	SP435HM6-78L	SP440HM6-78L	SP445HM6-78L	SP450HM6-78L	SP455HM6-78L
Maximum Power -Pmax (W)	330	334	338	341	337
Maximum Power Voltage - Vmp (V)	41.03	41.28	41.57	41.80	41.96
Maximum Power Current - Imp (A)	8.04	8.09	8.13	8.15	8.03
Open-circuit Voltage - Voc (V)	50.45	50.66	50.86	50.97	50.99
Short-circuit Current - Isc (A)	8.43	8.48	8.53	8.68	8.72
Power tolerance	0~+5W		Operating Temperature(°C)		-40 C ~+85 C
Temperature coefficients of Pmax	-0.37%/C		Maximum system voltage		1500V
Temperature coefficients of Voc	-0.32%/C		Maximum series fuse rating		20A
Temperature coefficients of Isc	0.05%/C		Nominal operating cell temperature		43±2 C

## Mechanical Characteristics

Cell Type	Mono-crystalline PERC 158.75×79.38mm
No.of cells	156 (6×26)
Dimensions	2178×996/1002×40mm
Weight	25.5 kg
Front Glass	3.2mm, High Transmission, Low Iron, Tempered Glass
Frame	Anodized Aluminium Alloy
Junction Box	IP67 Rated
Output Cables	1×4.0mm <sup>2</sup> , Length:300mm or Customized Length
Packaging Configuration	27pcs/pallet, 270pcs/20'GP, 580pcs/40'HQContainer

## Dimensions



## IV-Curves