

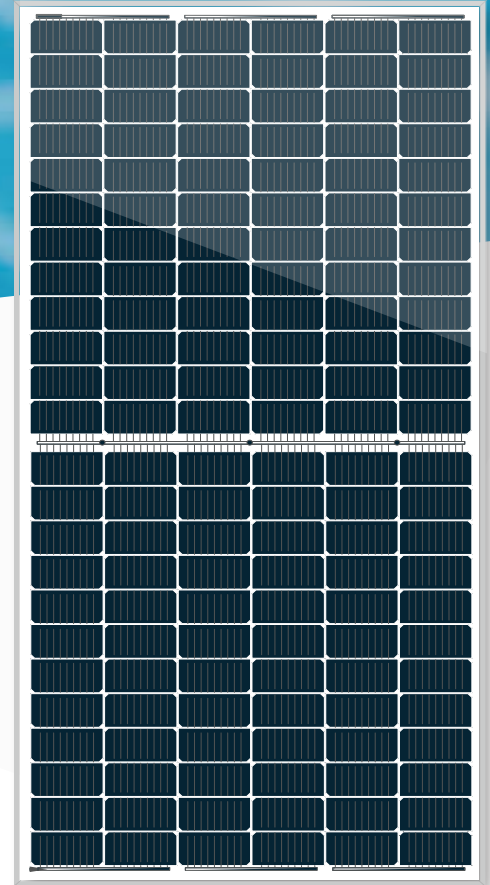


SpolarPV
Easy Invest, More Returns

Bifacial Double Glass 435-455 Watt

MONO CRYSTALLINE MODULE

- SP435HM6-72L
- SP445HM6-72L
- SP455HM6-72L
- SP440HM6-72L
- SP450HM6-72L



20.9%
Module efficiency

12
years

Product warranty

455 W
Highest power output

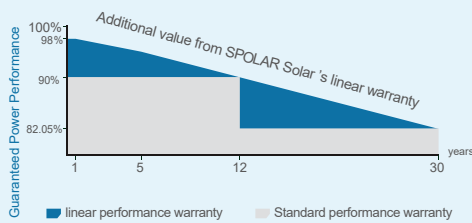
30
years

Linear power warranty

0 ~ +5W
Positive power tolerance

Key Features

Linear Performance Warranty



High Efficiency

Higher module conversion efficiency benefit from Passivated Emitter Rear Contact (PERC) technology.



PID Resistant

Excellent Anti-PID performance guarantee limited power degradation for mass production.



Low-light Performance

Advanced glass and cell surface texture design ensure excellent performance in low light environment.



Severe Weather Resilience

Certified to withstand: wind load (2400 Pascal) and snow load (5400 Pascal).



Durability against extreme environmental conditions

High salt mist and ammonia resistance.



ISO9001:2016 ISO14001:2016
OHSAS18001:2011 certified factory.
IEC61215 IEC61730 certified products.



www.spolarpv.com

Electrical Characteristics at Standard Test Conditions (STC) / Normal Operating Cell Temperature (NOCT)

Module Type	SP435HM6-72L	SP440HM6-72L	SP445HM6-72L	SP450HM6-72L	SP455HM6-72L
Maximum Power -Pmax (W)	435 / 324.9	440 / 328.6	445 / 332.3	450 / 336.1	455 / 339.8
Maximum Power Voltage - Vmp (V)	40.8 / 38.0	41.0 / 38.2	41.2 / 38.4	41.4 / 38.6	41.6 / 38.8
Maximum Power Current - Imp (A)	11.36 / 9.18	11.45 / 9.25	11.52 / 9.30	11.58 / 9.36	11.65 / 9.41
Open-circuit Voltage - Voc (V)	49.1 / 45.9	49.2 / 46.0	49.4 / 46.2	49.6 / 46.4	49.8 / 46.6
Short-circuit Current - Isc (A)	10.66 / 8.54	10.73 / 8.60	10.80 / 8.65	10.87 / 8.70	10.93 / 8.76
Module Efficiency STC (%)	20.0%	20.2%	20.5%	20.7%	20.9%

Electrical characteristics with different rear side power gain (reference to 445W front)

Pmax/W	Voc/V	Isc/A	Vmp/V	Imp/A	Pmax gain
467	49.4	12.09	41.2	11.34	5%
490	49.4	12.67	41.2	11.88	10%
512	49.5	13.24	41.3	12.42	15%
534	49.5	13.82	41.3	12.96	20%
556	49.5	14.40	41.3	13.50	25%

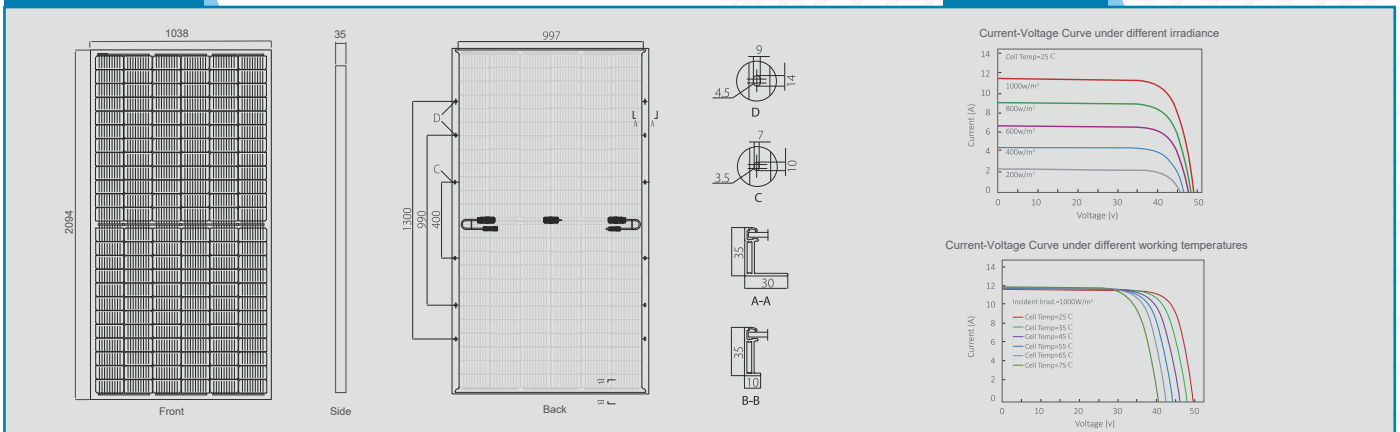
Operating Parameters

Power tolerance	0~+5W	Operating Temperature(°C)	-40 C ~+85 C
Temperature coefficients of Pmax	-0.350%/ C	Maximum system voltage	1500 V
Temperature coefficients of Voc	-0.284%/ C	Maximum series fuse rating	25A
Temperature coefficients of Isc	0.050%/ C	Nominal operating cell temperature	45±2 C

Mechanical Characteristics

Cell Type	Mono-crystalline PERC 166×83mm
No.of cells	144 (6×24)
Dimensions	2094×1038×35mm
Weight	27.5 kg
Glass	Dual Glass 2.0mm Coated Tempered Glass
Frame	Anodized Aluminium Alloy
Junction Box	IP68 Three Diodes
Output Cables	1×4.0mm ² , Length:300mm or Customized Length
Packaging Configuration	30pcs/pallets, 150pcs/20'GP, 660pcs/40'HQContainer (Two pallets=One stack)

Dimensions



IV-Curves