



SpolarPV
Easy Invest, More Returns

SPP6-72

325-355 Watt

POLY CRYSTALLINE MODULE



- SP325P6-72
- SP330P6-72
- SP335P6-72
- SP340P6-72
- SP345P6-72
- SP350P6-72
- SP355P6-72

18.30%

Module efficiency



Product warranty

355 W

Highest power output



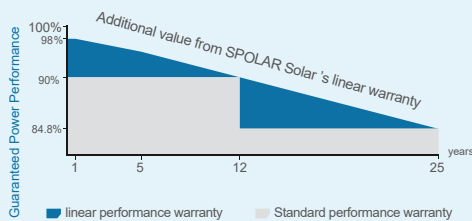
Linear power warranty

0 ~ +5W

Positive power tolerance

Key Features

Linear Performance Warranty



High Efficiency

Higher module conversion efficiency benefit from Passivated Emitter Rear Contact (PERC) technology.



PID Resistant

Excellent Anti-PID performance guarantee limited power degradation for mass production.



Low-light Performance

Advanced glass and cell surface texture design ensure excellent performance in low light environment.



Severe Weather Resilience

Certified to withstand: wind load (2400 Pascal) and snow load (5400 Pascal).



Durability against extreme environmental conditions

High salt mist and ammonia resistance.



ISO9001:2016 ISO14001:2016
OHSAS18001:2011 certified factory.
IEC61215 IEC61730 certified products.



www.spolarpv.com

Electrical Characteristics at Standard Test Conditions (STC)

Module Type	SP325P6-72	SP330P6-72	SP335P6-72	SP340P6-72	SP345P6-72	SP350P6-72	SP355P6-72
Maximum Power - Pmax (W)	325	330	335	340	345	350	355
Maximum Power Voltage - Vmp (V)	36.9	37.18	37.45	37.74	38.04	38.42	38.80
Maximum Power Current - Imp (A)	8.81	8.88	8.95	9.01	9.07	9.10	9.14
Open-circuit Voltage - Voc (V)	45.56	45.83	46.1	46.39	46.68	47.20	47.66
Short-circuit Current - Isc (A)	9.28	9.35	9.42	9.48	9.55	9.58	9.62
Module Efficiency STC (%)	16.75%	17.01%	17.26%	17.52%	17.78%	18.04%	18.30%

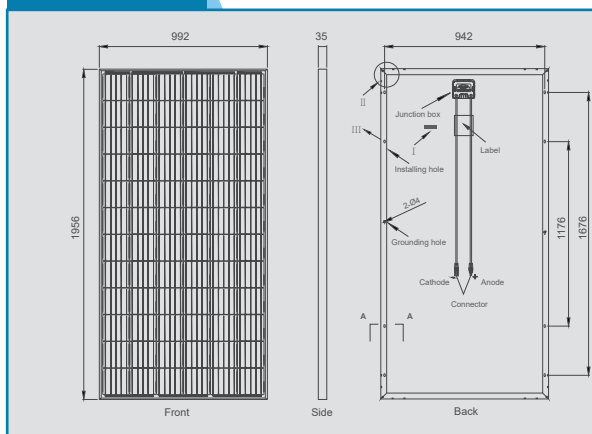
Electrical Characteristics at Normal Operating Cell Temperature (NOCT)

Module Type	SP325P6-72	SP330P6-72	SP335P6-72	SP340P6-72	SP345P6-72	SP350P6-72	SP355P6-72
Maximum Power - Pmax (W)	240	244	248	252	256	260	263
Maximum Power Voltage - Vmp (V)	35.17	35.38	35.59	35.81	36.03	36.38	36.74
Maximum Power Current - Imp (A)	6.82	6.90	6.97	7.04	7.11	7.14	7.15
Open-circuit Voltage - Voc (V)	43.38	43.57	43.77	43.96	44.16	44.69	44.83
Short-circuit Current - Isc (A)	7.33	7.40	7.47	7.55	7.62	7.64	7.65
Power tolerance	0~+5W		Operating Temperature(°C)			-40 C ~+85 C	
Temperature coefficients of Pmax	-0.38%/ C		Maximum system voltage			1000/1500V	
Temperature coefficients of Voc	-0.33%/ C		Maximum series fuse rating			20A	
Temperature coefficients of Isc	0.05%/ C		Nominal operating cell temperature			45±2 C	

Mechanical Characteristics

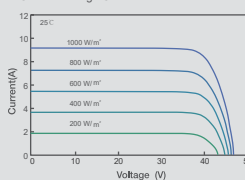
Cell Type	Poly-crystalline 156.75×156.75mm
No.of cells	72 (6×12)
Dimensions	1956×992×35mm
Weight	21.5 kg
Front Glass	3.2mm, High Transmission, Low Iron, Tempered Glass
Frame	Anodized Aluminium Alloy
Junction Box	IP67 Rated
Output Cables	1×4.0mm ² , Length:900mm or Customized Length
Packaging Configuration	68pcs/stack, 814pcs/40'HQContainer (Two pallets=One stack)

Dimensions



IV-Curves

Current-Voltage Curve under different irradiance



Current-Voltage Curve under different working temperatures

