



# LED Module Flood Light

## M-IV



[www.ofled-lighting.en.alibaba.com](http://www.ofled-lighting.en.alibaba.com)

120-135  
lm/W

- Light Efficacy up to 120-135Lm/W
- Input Voltage: 100-240VAC or 100-277VAC
- 5 years warranty.
- High-efficiency radiating aluminum material, smaller size, cost-effective.



### Jiangsu Ofled Optoelectronics Technology Co.,Ltd

Factory address: No.9 Zhengfu Road Liangduo Town,Dongtai CityJiangsu Province,P.R. China.  
Tel: +86 515 85555809

Shenzhen Office: 446, Huafeng Internet+Creative Garden, No.107 of Gonghe Industrial Road, Xixiang Street, Bao'an District, Shenzhen, China.  
Tel: +86 755 23777180

Email: [sales@ofled-lighting.com](mailto:sales@ofled-lighting.com) Web: [www.ofled-lighting.com](http://www.ofled-lighting.com) [www.ofled-lighting.en.alibaba.com](http://www.ofled-lighting.en.alibaba.com)

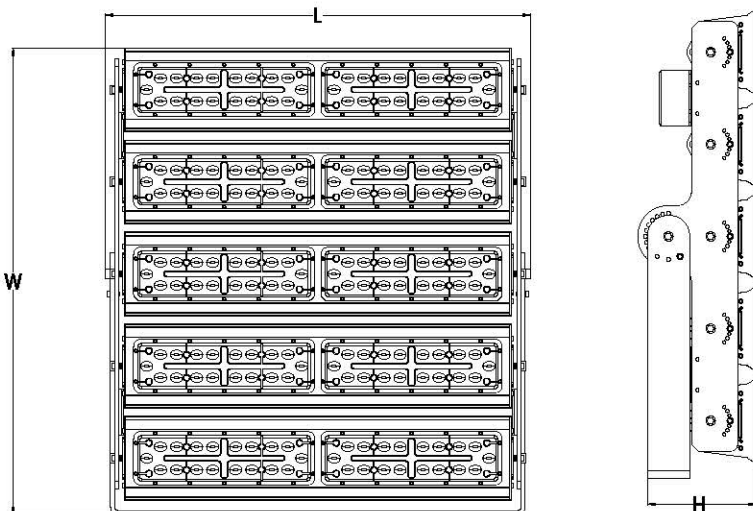


[www.ofled-lighting.com](http://www.ofled-lighting.com)

# Specifications

Item No.	Watt(W)	Product Size(mm)	Combination scheme	Light Efficiency (lm/W)	Input	Option	CCT (K)	CRI (Ra)
FLMS04-50XX	50	200*300*170mm	1*1	120-135	100-240/277Vac or 200-240Vac 50/60Hz	0/1-10V DALI Microwave Sensor PIR sensor Daylight sensor bluetooth Optional	3000- 6000	>70
FLMS04-60XX	60	200*300*170mm	1*1					
FLMS04-100XX	100	250*320*170mm	1*2					
FLMS04-120XX	120	250*320*170mm	1*2					
FLMS04-150XX	150	370*320*170mm	1*3					
FLMS04-200XX	200	490*320*170mm	1*4					
FLMS04-240XX	240	490*320*170mm	1*4					
FLMS04-300XX	300	370*560*170mm	2*3					
FLMS04-400XX	400	490*560*170mm	2*4					
FLMS04-500XX	500	610*560*170mm	2*5					

PF	Beam Angle	LED Type	Driver Brand	Protection Grade	Working Temperature	Storing Temperature
>0.95	30° / 60° / 90° / 110° / 145°70° / 165°75°	3030	MEANWELL OR SOSEN OR ZHI HE OR OTHERS BRAND	IP65	-20℃ ~+45℃	-20℃ ~+80℃

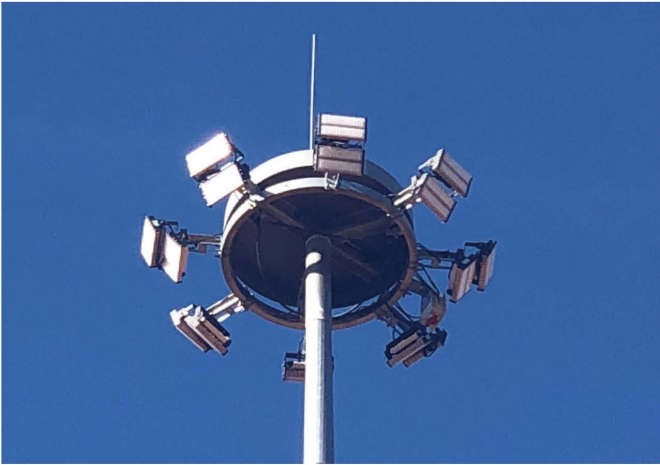


## Dimension

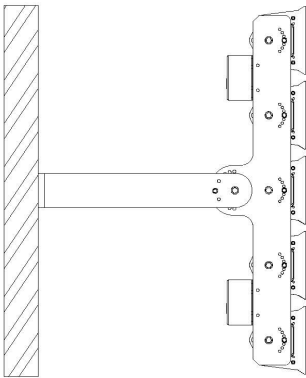
Product size	W(mm)	L(mm)	H(mm)
1*1	200	300	170
1*2	250	320	170
1*3	370	320	170
1*4	490	320	170
2*3	370	560	170
2*4	490	560	170
2*5	610	560	170

- There will be slight deviation in the actual situation, which is subject to the actual situation.

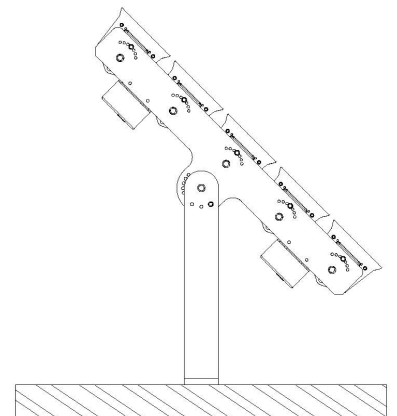
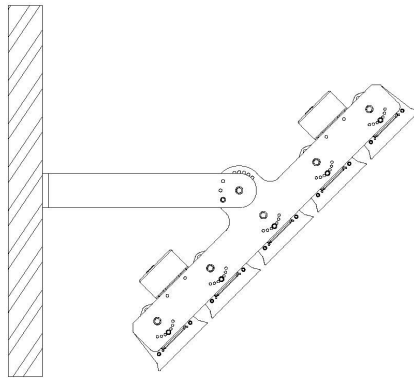
## Application



## Installation guide



Wall Mounted



Ground Mounted