



LED Module Flood Light

M-III



www.ofled-lighting.en.alibaba.com

120-135
lm/W

- Light Efficacy up to 120-135Lm/W
- Input Voltage: 100-240VAC or 100-277VAC
- 5 years warranty.
- High-efficiency radiating aluminum material, smaller size, cost-effective.



Jiangsu Ofled Optoelectronics Technology Co.,Ltd

Factory address: No.9 Zhengfu Road Liangduo Town,Dongtai CityJiangsu Province,P.R. China.
Tel: +86 515 85555809

Shenzhen Office: 446, Huafeng Internet+Creative Garden, No.107 of Gonghe Industrial Road, Xixiang Street, Bao'an District, Shenzhen, China.
Tel: +86 755 23777180

Email: sales@ofled-lighting.com Web: www.ofled-lighting.com www.ofled-lighting.en.alibaba.com

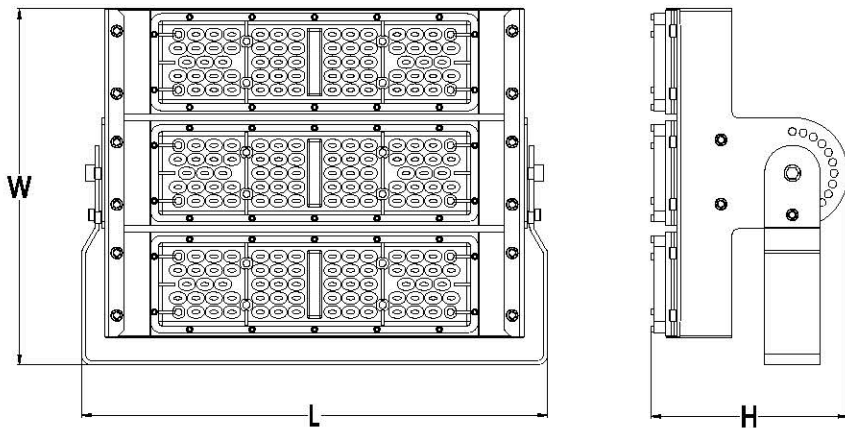


www.ofled-lighting.com

Specifications

Item No.	Watt(W)	Product Size(mm)	Combination scheme	Light Efficiency (lm/W)	Input	Option	CCT (K)	CRI (Ra)
FLMS03-50XX	50	325*170*75mm	1*1	120-135	100-240/277Vac or 200-240Vac 50/60Hz	0/1-10V DALI Microwave Sensor PIR sensor Daylight sensor bluetooth Optional	3000- 6500	70+
FLMS03-100XX	100	340*180*150mm	1*2					
FLMS03-120XX	120	340*180*150mm	1*2					
FLMS03-150XX	150	340*260*150mm	1*3					
FLMS03-200XX	200	340*260*150mm	1*3					
FLMS03-200XX	200	340*340*150mm	1*4					
FLMS03-240XX	240	340*340*150mm	1*4					
FLMS03-240XX	240	340*420*150mm	1*5					
FLMS03-300XX	300	340*420*150mm	1*5					
FLMS03-300XX	300	340*500*150mm	1*6					

PF	Beam Angle	LED Type	Driver Brand	Protection Grade	Working Temperature	Storing Temperature
0.95	30° / 60° / 90° / 110° / 145°70°	3030	MEANWELL OR SOSEN OR ZHI HE OR OTHERS BRAND	IP65	-20℃ ~+45℃	-20℃ ~+80℃

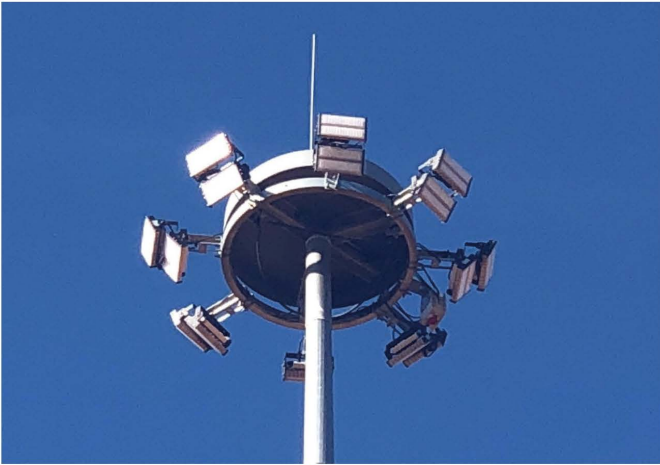


Dimension

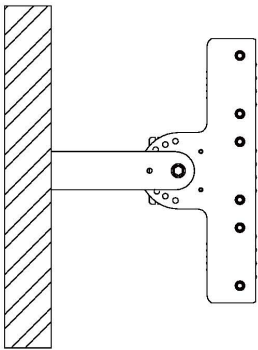
Product size	W(mm)	L(mm)	H(mm)
1*1	325	170	75
1*2	340	180	150
1*3	340	260	150
1*4	340	340	150
1*5	340	420	150
1*6	340	500	150

- There will be slight deviation in the actual situation, which is subject to the actual situation.

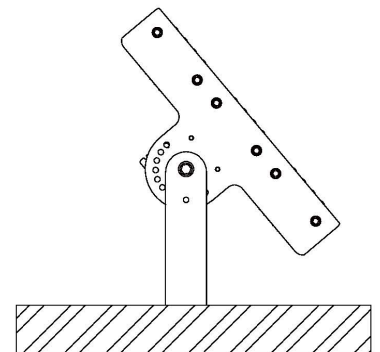
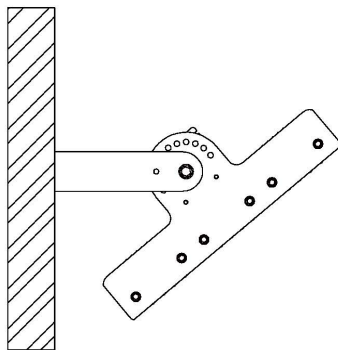
Application



Installation guide



Wall Mounted



Ground Mounted