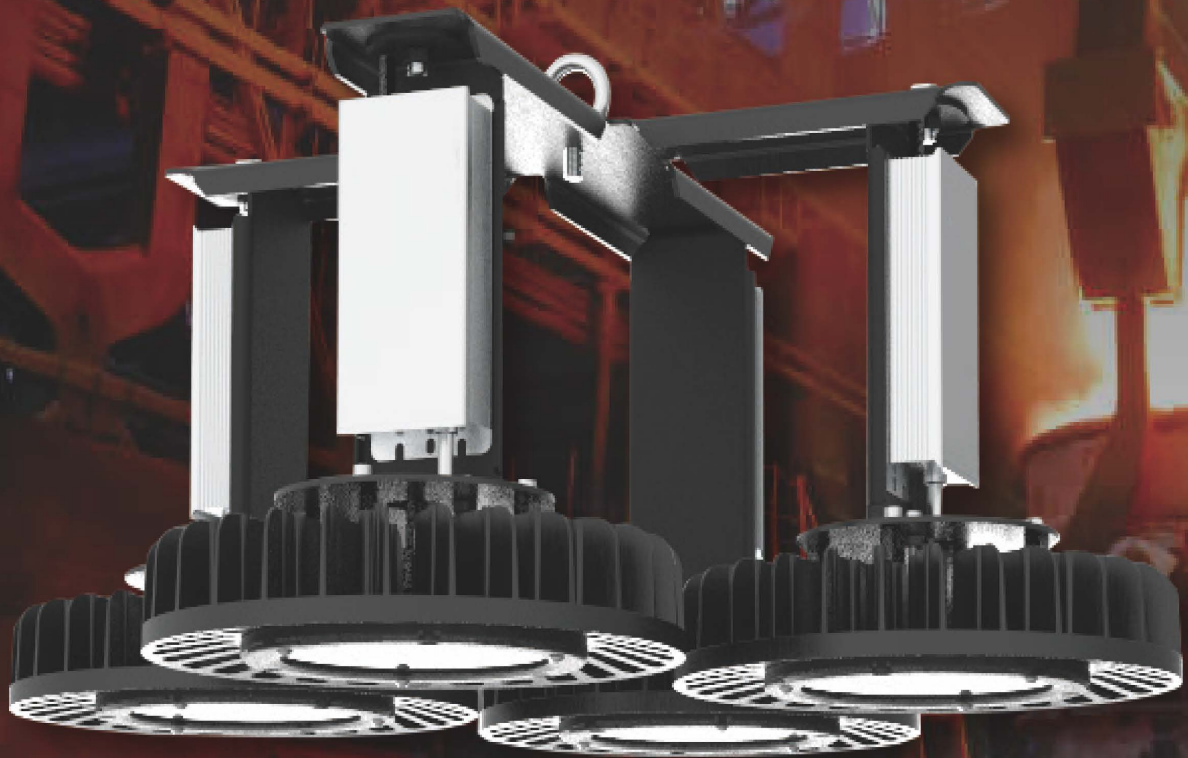




UFO High Bay SZ Series



 www.ofled-lighting.en.alibaba.com

Jiangsu Ofled Optoelectronics Technology Co.,Ltd

Factory address: No.9 Zhengfu Road Liangduo Town,Dongtai CityJiangsu Province,P.R. China.
Tel: +86 515 85555809

Shenzhen Office: 446, Huafeng Internet+Creative Garden, No.107 of Gonghe Industrial Road, Xixiang Street, Bao'an District, Shenzhen, China.
Tel: +86 755 23777180

Email: sales@ofled-lighting.com Web: www.ofled-lighting.com www.ofled-lighting.en.alibaba.com



www.ofled-lighting.com



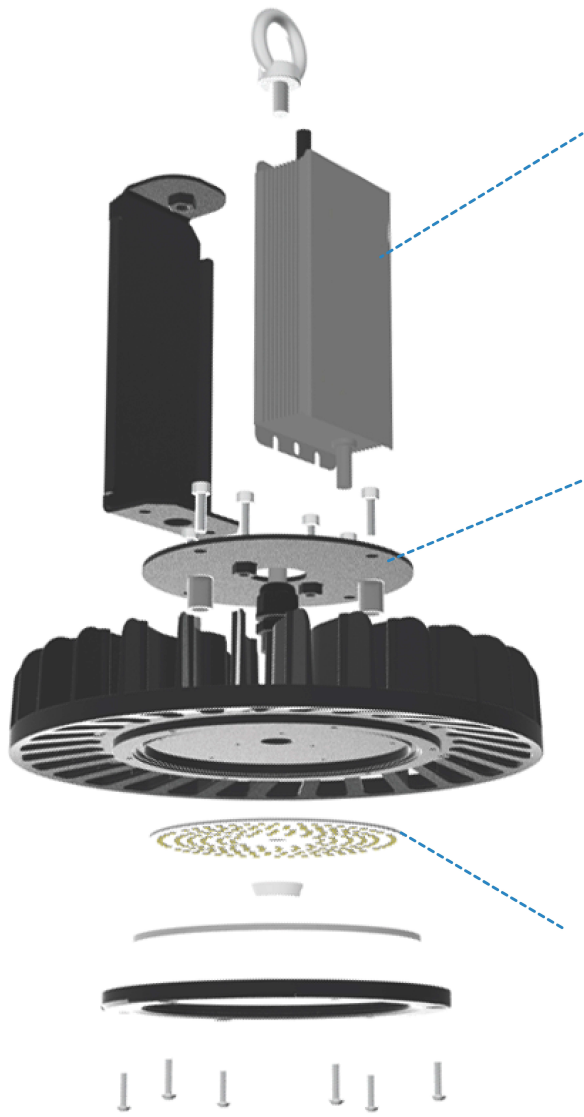
HBUFO01SZ High Temperature and Dust-proof LED High Bay

Pressure casting forging heat sink with excellent thermal conductivity and larger heat dissipation area for optimum heat dissipation. Up to 60°C ambient temperature, HBUFO01SZ is specially designed for ultra-high-temperature circumstances. Back cover plate and vertical cooling ribs prevent dust deposits. Modular design to meet different power requirements, HBUFO01SZ is a brilliant design for different applications range from high temperature and high humidity to ordinary industrial workshops.

HBUFO01SZ

- Light Efficacy: 140lm/W
- Wattage range from 100W to 400W,
1 and 4 modulators for different power requirement.
- Input Voltage: 100-277VAC/277-480VAC available
- 5 years warranty.





Excellent Heat Dissipation

Isolated driver reduces heat accumulation and accelerates heatdissipation, which is more suitable for high temperature places.



Dust-proof Design

Vertical cooling ribs prevent dust deposits and ensure constant heat dissipation.



The back cover plate is provided with heat insulating layer, which can isolate the dust and not affect the heat dissipation.

Tempered glass

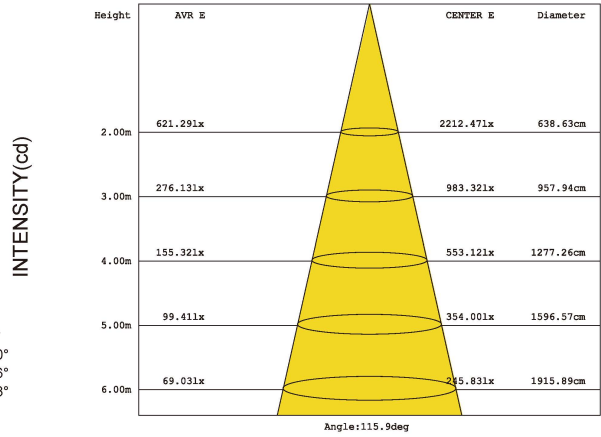
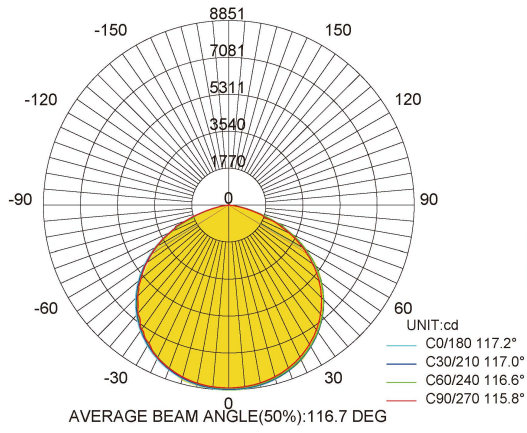
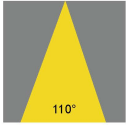
The tempered glass design helps to adapt to the harsh environment of high temperature, high humidity and heavy dust.



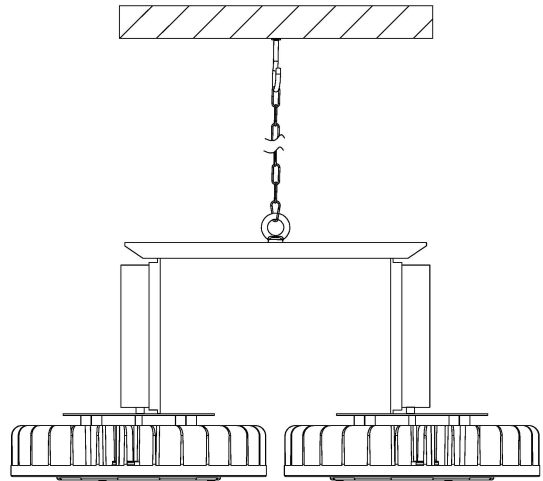
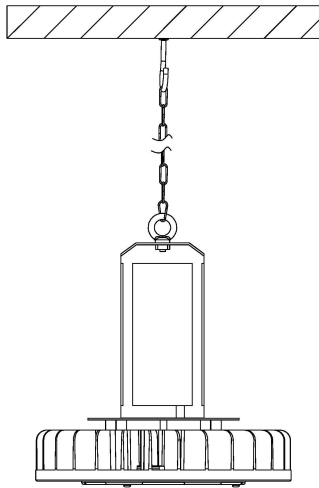
Specifications

Item No.	HBUFO01SZ-100W	HBUFO01SZ-200W	HBUFO01SZ-300W	HBUFO01SZ-400W
Combination scheme	1*1	1*2	1*3	1*4
Voltage	AC100-277V AC277-480V 50/60Hz			
Power	100W	200W	300W	400W
LED Type	3030			
Dimmable	No Dimmable 0/1-10V/RX/PWM/DALI			
Color Temperature(CCT)	3000K/4000K/5000K/5700K/6500K			
Beam Angle	110°			
Color Rendering Indes(CRI)	70+			
LED Luminous Efficiency	140 lm/W			
Power Factor(PF)	>0.95			
Protection Grade	IP65			
Operating Temperature	-30℃ ~ +60℃			
Storing Temperature	-30℃ ~ +80℃			

Distribute curve and illuminance distribute curve



Installation guide



Ring Mounted

Application

