



UFO High Bay

Dust-Proof Highbay



www.ofled-lighting.en.alibaba.com

130-150
lm/W

- Light Efficacy: 130-150lm/W
- Option: Non-Dimming,
Dimming (RX/PWM/0/1-10V/DALI)
- Ingress Protection: IP65
- 3 or 5 years warranty



Jiangsu Ofled Optoelectronics Technology Co.,Ltd

Factory address: No.9 Zhengfu Road Liangduo Town, Dongtai City Jiangsu Province, P.R. China.
Tel: +86 515 85555809

Shenzhen Office: 446, Huafeng Internet+Creative Garden, No.107 of Gonghe Industrial Road, Xixiang Street, Bao'an District, Shenzhen, China.
Tel: +86 755 23777180

Email: sales@ofled-lighting.com Web: www.ofled-lighting.com www.ofled-lighting.en.alibaba.com



www.ofled-lighting.com

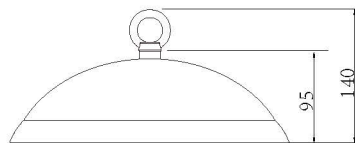
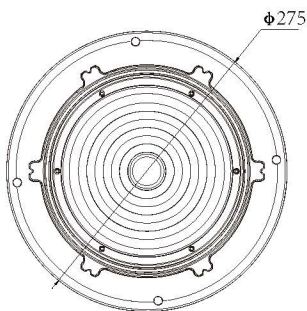
Specifications

Item No.	OHD-HBF05-60	OHD-HBF05-80	OHD-HBF05-100	OHD-HBF05-120
Watt(w)	60W	80W	100W	120W
Product Size	φ275*140mm			
Input	100-240Vac or 100-277Vac 50/60Hz			
Light Efficiency(lm/W)	130-150lm/W			
CCT	3000K/4000K/5000K/5700K/6500K			
Beam Angle	60/90°/110°			
Material	Aluminum			
PF	0.9			
CRI(Ra)	70+			
Protection Grade	IP65 IK08			
Warranty Years	3-5 Years			

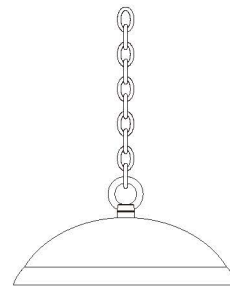
Operating Temperature: -30 °C ~ +50 °C



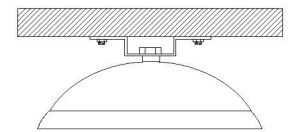
Dimension



Installation guide

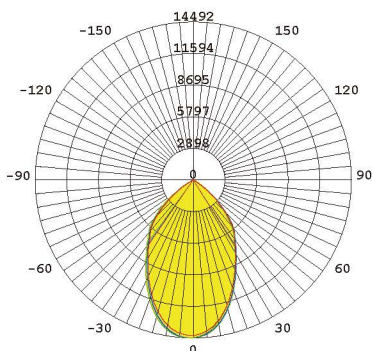


Ring Mounted

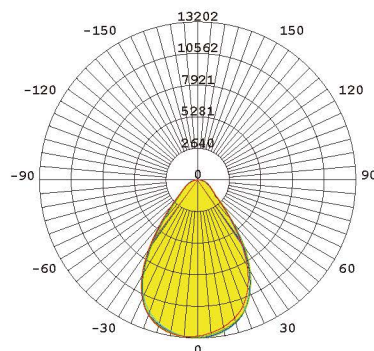


Ceiling Mounted

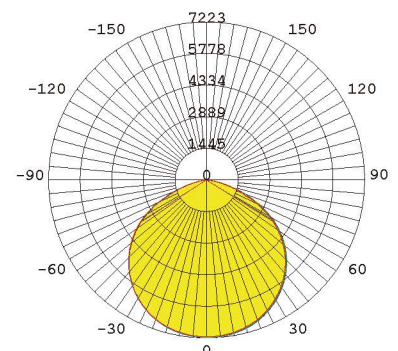
Light Distribution Optional



60°



90°



110°

Dust-Proof Highbay

IP65 water-proof



- Products are widely used in food processing plants, pharmaceutical factories, farms, fresh supermarkets and other places that need lighting.