



LED Flood Light

FLSL04



www.ofled-lighting.en.alibaba.com

110
lm/W

- Die-casting aluminum heat sink for maximum heat dissipation
- Engineering style
- Efficacy 110 lm/w available
- Beam angle 110°
- Power 50W/100W/150W/200W/300W optional
- PC nano reflector & Aluminium reflector optional
- Independent power supply design, more reliable

Products Optional



Jiangsu Ofled Optoelectronics Technology Co.,Ltd

Factory address: No.9 Zhengfu Road Liangduo Town, Dongtai City Jiangsu Province, P.R. China.
Tel: +86 515 85555809

Shenzhen Office: 446, Huafeng Internet+Creative Garden, No.107 of Gonghe Industrial Road, Xixiang Street, Bao'an District, Shenzhen, China.
Tel: +86 755 23777180

Email: sales@ofled-lighting.com Web: www.ofled-lighting.com www.ofled-lighting.en.alibaba.com

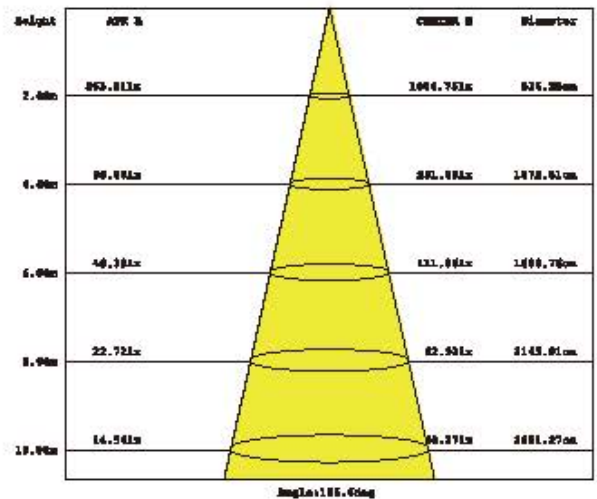
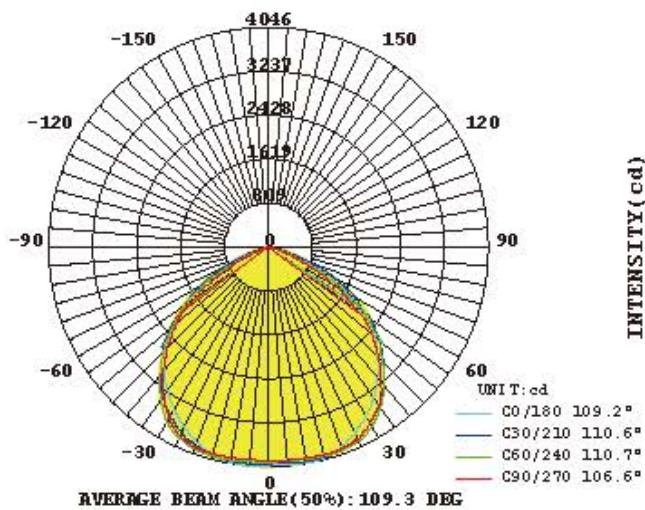


www.ofled-lighting.com

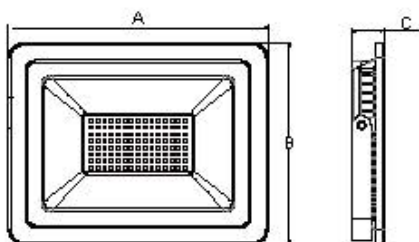
Specifications

Item No.	OHD-FLSL04-50XX	OHD-FLSL04-100XX	OHD-FLSL04-150XX	OHD-FLSL04-200XX	OHD-FLSL04-300XX
Voltage	AC 100V-240/277V AC 200V-240V 50/60HZ				
Power	50W	100W	150W	200W	300W
LED Type	3030				2835
Dimmable/Sensor	Non-dimming				
Color Temperature(CCT)	2700K/4000K/5000K/5700K/6500K				
Beam Angle	110°				
Color Rendering Index(CRI)	70+				
LED Luminous Efficiency	110 lm/W				
Power Factor(PF)	>0.9				
Protection Grade	IP65				
Body Material	Die casting aluminum				
Warranty Years	3-5 years				

Illuminance distribute curve



Dimension

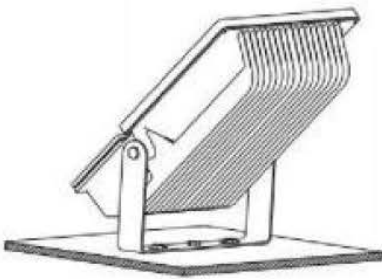


Model	A(mm)	B(mm)	C(mm)
OHD-FLSL04-50XX	230	196	57
OHD-FLSL04-100XX	297	250	57
OHD-FLSL04-150XX	355	290	57
OHD-FLSL04-200XX	428	328	65
OHD-FLSL04-300XX	500	400	65

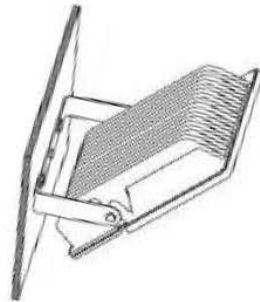
Application



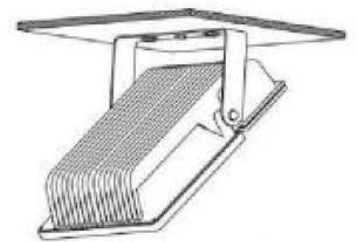
Installation



Ground Mount

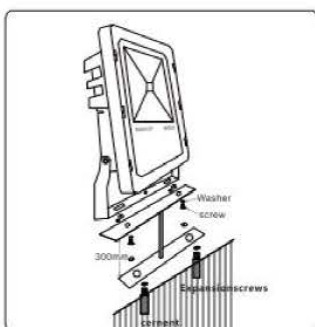


Wall Mount

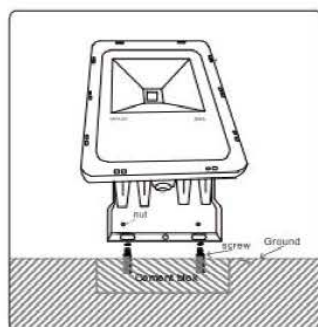


Ceiling Mount

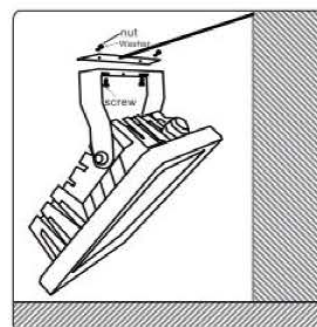
Installation Steps



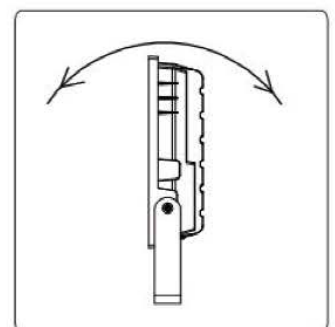
1. Install the lamp by the stand on the ground



2. Install lamp directly



3. Hang the lamp by the stand



3. The angle of the lamp is adjustable